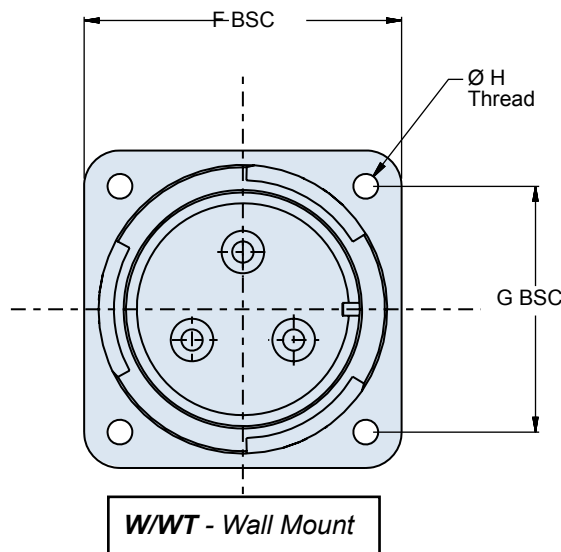
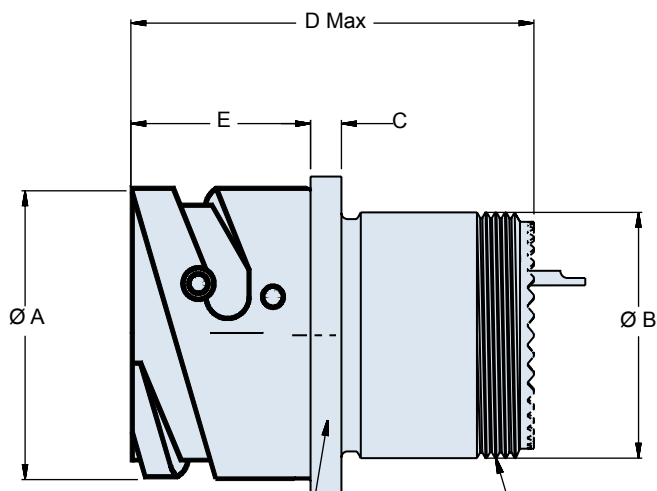
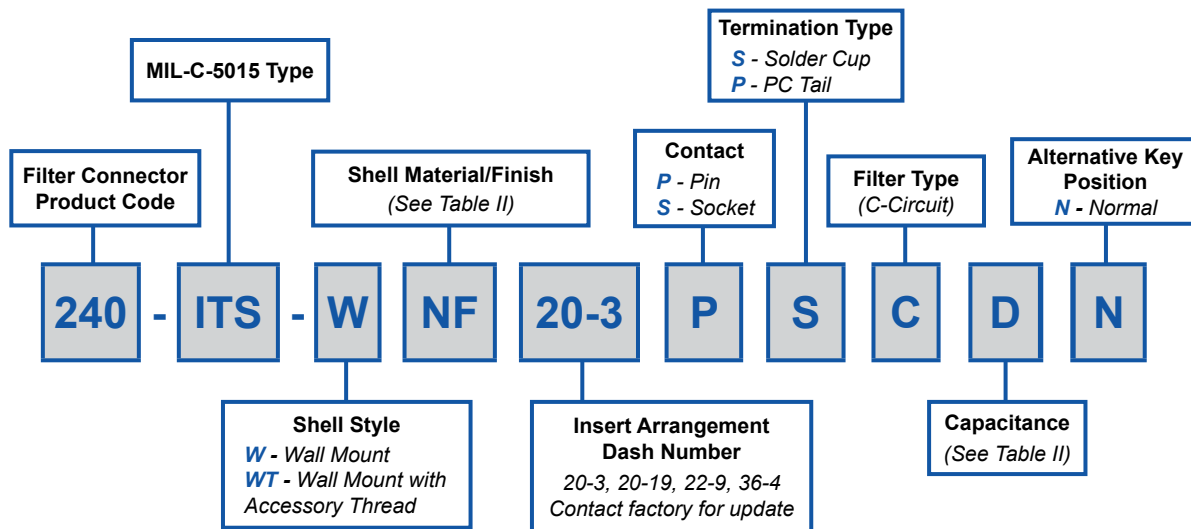




240-ITS-W Wall Mount Filtered Receptacle Connector (5015 Type) with Reverse Bayonet Coupling



See Note 3 See Note 5

APPLICATION NOTES

- Material/Finishes:
Shells - See Table I
Insulators - High grade thermoplastic/N.A.
Seals - Fluorosilicone/N.A.
Contacts - Copper Alloy/Gold Plated
- EMI Circular Filter Connector designed to meet MIL-DTL-5015
- Assembly to be identified with date code, cage code, Glenair P/N, and serial number
- Electrical Performance:
A - Capacitance - See Table II
B - I.R. 5000 Megohms min at 200 VDC
C - D.W.V. 500 VDC with 100 micro amps max leakage
- Shell style WT shown
- Metric dimensions (mm) are indicated in parentheses

240-ITS-W

Wall Mount Filtered Receptacle Connector (5015 Type) with Reverse Bayonet Coupling



5015 Power Connectors

TABLE I: DIMENSIONS

Shell Size	A Ø +.000 -.004 (+.000 -.102)	B Ø Max	C ±.008 (.203)	D Max	E +.008 -.000 (+.203 -.000)	F BSC ±.004 (.102)	G BSC ±.008 (.203)	H Ø Thread
10SL	.719 (18.3)	.638 (16.2)	.110 (2.8)	1.400 (35.6)	.728 (18.5)	.719 (18.3)	1.000 (25.4)	M4
14S	.965 (24.5)	.756 (19.2)	.130 (3.3)	1.400 (35.6)	.728 (18.5)	.906 (23.0)	1.197 (30.4)	M4
16S	1.071 (27.2)	.882 (22.4)	.130 (3.3)	1.400 (35.6)	.728 (18.5)	.969 (24.6)	1.280 (32.5)	M4
16	1.071 (27.2)	.882 (22.4)	.130 (3.3)	1.800 (45.7)	.913 (23.2)	.969 (24.6)	1.280 (32.5)	M4
18	1.209 (30.7)	1.008 (25.6)	.157 (4.0)	1.800 (45.7)	.913 (23.2)	1.063 (27.0)	1.378 (35.0)	M4
20	1.339 (34.0)	1.142 (29.0)	.157 (4.0)	1.800 (45.7)	.913 (23.2)	1.157 (29.4)	1.496 (38.0)	M4
22	1.469 (37.3)	1.268 (32.2)	.157 (4.0)	1.800 (45.7)	.913 (23.2)	1.250 (31.8)	1.614 (41.0)	M4
24	1.610 (40.9)	1.390 (35.3)	.157 (4.0)	1.800 (45.7)	.913 (23.2)	1.374 (34.9)	1.752 (44.5)	M4
28	1.839 (46.7)	1.630 (41.4)	.157 (4.0)	1.800 (45.7)	.961 (24.4)	1.563 (39.7)	2.004 (50.9)	M5
32	2.102 (53.4)	1.882 (47.8)	.157 (4.0)	1.800 (45.7)	.953 (24.2)	1.750 (44.5)	2.244 (57.0)	M5
36	2.346 (59.6)	2.130 (54.1)	.157 (4.0)	1.800 (45.7)	.953 (24.2)	1.937 (49.2)	2.500 (63.5)	M5
40	2.579 (65.5)	2.323 (59.0)	.157 (4.0)	1.800 (45.7)	.961 (24.4)	2.187 (55.5)	2.752 (70.0)	M5

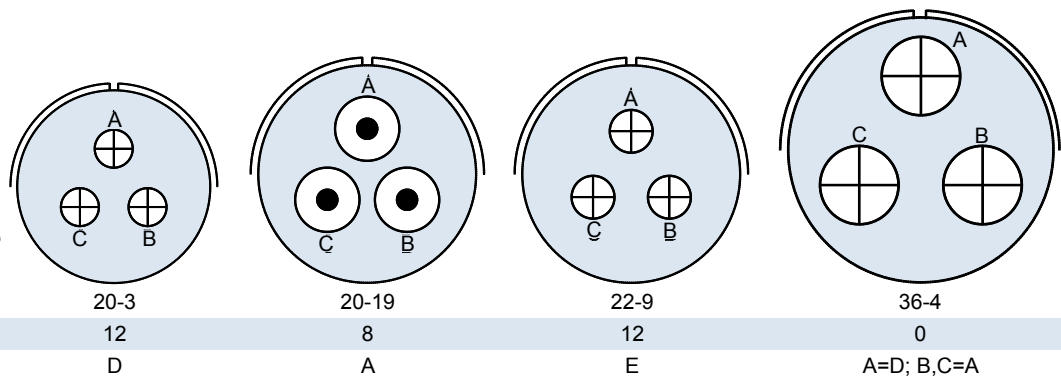
TABLE III: CAPACITOR ARRAY CODE AND CAPACITANCE RANGE

CLASS	C - SECTION (pF)
X	80,000 - 120,000
Y	40,000 - 60,000
Z	30,000 - 45,000
A	19,000 - 28,000
B	16,000 - 22,500
C	9,000 - 16,500

TABLE II: SHELL MATERIAL/FINISH

Symbol	Material	Finish Description
M	Aluminum	Electroless Nickel
NF		Cadmium Olive Drab Over Electroless Nickel
P	Stainless Steel	Electro-Deposited Nickel

Example Contact Arrangements



F