

HOW TO ORDER:

EXAMPLE: 230 - 019 FT 10 - 6 P X

BASIC SERIES _____

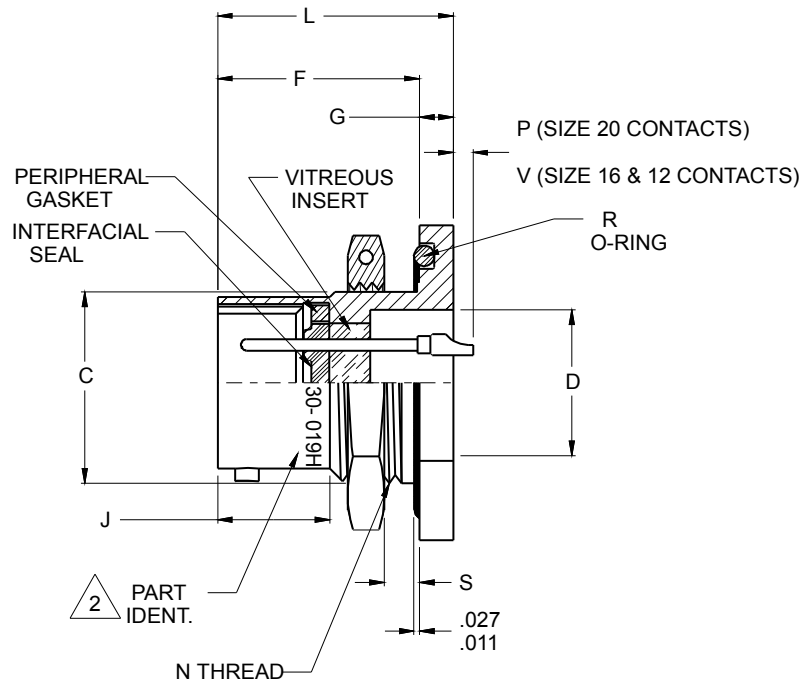
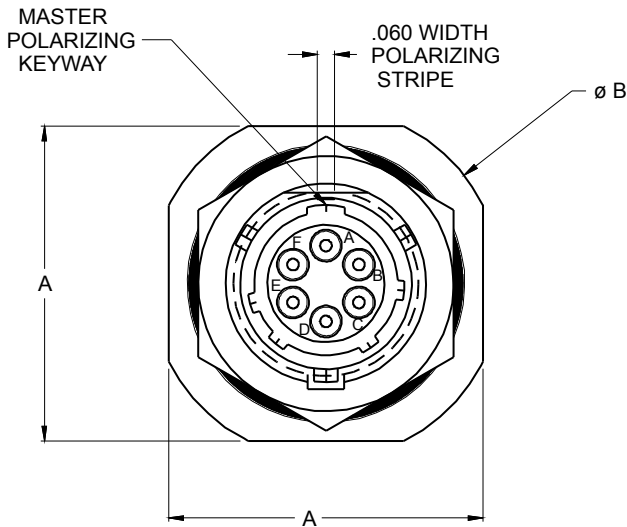
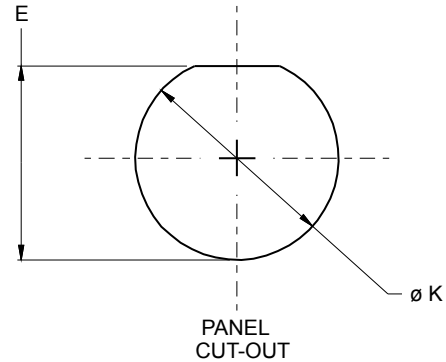
FINISH _____
 FT = FUSED TIN
 Z1 = PASSIVATED

SHELL SIZE _____

CONTACT ARRANGEMENT PER MIL-STD-1669 $\triangle 5$ _____

CONTACT STYLE _____
 "P" = SOLDER CUP

ALTERNATE INSERT POSITION (LEAVE BLANK FOR NORMAL) $\triangle 5$ _____



230-019
Hermetic Receptacle, Single Hole Jam-Nut Mount
MIL-C-26482 Series II, MS3449 Type



MIL-C-26482

SHELL SIZE	A LENGTH +.000 - .031 (+0 - 0.8)	B ø +.000 - .031 (+0 - 0.8) ACROSS FLANGE CORNER	C +.000 - .010 (+0 - 0.3) MTG. FLAT	D ø MIN	E PANEL FLAT LOCATION	F MOUNTING FLANGE LOCATION	G MOUNTING FLANGE THICKNESS	J TO THREAD CHAMFER ±.010 (0.3)
8	.954 (24.2)	1.078 (27.4)	.530 (13.5)	.403 (10.2)	.536 (13.6)	.707/.691 (18.0/17.6)	.113/.097 (2.9/2.5)	.368 (9.3)
10	1.078 (27.4)	1.203 (30.6)	.655 (16.6)	.515 (13.1)	.661 (16.8)	.707/.691 (18.0/17.6)	.113/.097 (2.9/2.5)	.368 (9.3)
12	1.266 (32.2)	1.391 (35.3)	.818 (20.8)	.630 (16.0)	.824 (20.9)	.707/.691 (18.0/17.6)	.113/.097 (2.9/2.5)	.368 (9.3)
14	1.391 (35.3)	1.516 (38.5)	.942 (23.9)	.755 (19.2)	.948 (24.1)	.707/.691 (18.0/17.6)	.113/.097 (2.9/2.5)	.368 (9.3)
16	1.516 (38.5)	1.641 (41.7)	1.062 (27.0)	.880 (22.4)	1.072 (27.2)	.707/.691 (18.0/17.6)	.113/.097 (2.9/2.5)	.368 (9.3)
18	1.641 (41.7)	1.766 (44.9)	1.191 (30.3)	.980 (24.9)	1.197 (30.4)	.707/.691 (18.0/17.6)	.113/.097 (2.9/2.5)	.368 (9.3)
20	1.828 (46.4)	1.954 (49.6)	1.316 (33.4)	1.105 (28.1)	1.322 (33.6)	.772/.754 (19.6/19.2)	.148/.128 (3.8/3.3)	.368 (9.3)
22	1.954 (49.6)	2.078 (52.8)	1.441 (36.6)	1.230 (31.2)	1.447 (36.8)	.772/.754 (19.6/19.2)	.148/.128 (3.8/3.3)	.368 (9.3)
24	2.078 (52.8)	2.203 (56.0)	1.566 (39.8)	1.385 (35.2)	1.572 (39.9)	.803/.785 (20.4/19.9)	.148/.128 (3.8/3.3)	.395 (10.0)

SHELL SIZE	K +.010 - .005 (+0.3 - 0.1) PANEL MOUNTING HOLE	L OVERALL LENGTH	N UNEF-2A MOUNTING THREAD	P	R O-RING SEAL MS29513-	S PANEL THICKNESS		V	MAX. WEIGHT (LBS)
						MIN	MAX		
8	.572 (14.5)	.820 (20.8)	.5625-24	.134/.074 (3.4/1.9)	16	.187 (4.7)	.062 (1.6)	.204/.144 (5.2/3.7)	.0430 (1.1)
10	.697 (17.7)		.6875-24	.134/.074 (3.4/1.9)	18			.204/.144 (5.2/3.7)	.0610 (1.5)
12	.885 (22.5)		.875-20	.134/.074 (3.4/1.9)	21			.204/.144 (5.2/3.7)	.0880 (2.2)
14	1.010 (25.7)		1.000-20	.134/.074 (3.4/1.9)	23			.204/.144 (5.2/3.7)	.1100 (2.8)
16	1.135 (28.8)		1.125-18	.134/.074 (3.4/1.9)	25			.204/.144 (5.2/3.7)	.1310 (3.3)
18	1.260 (32.0)		1.250-18	.134/.074 (3.4/1.9)	27			.204/.144 (5.2/3.7)	.1720 (4.4)
20	1.385 (35.2)	.920 (23.4)	1.375-18	.099/.039 (2.5/1.0)	29	.250 (6.4)	.169/.109 (4.3/2.8)	.2110 (5.4)	
22	1.510 (38.4)		1.500-18	.099/.039 (2.5/1.0)	30			.2420 (6.1)	
24	1.635 (41.5)		1.625-18	.099/.039 (2.5/1.0)	31			.2930 (7.4)	

NOTES:

- MATERIAL/FINISH:
 SHELL - C1215 CRS / TIN PLATED
 CONTACTS - 52 NICKEL ALLOY / TIN PLATED
 BAYONETS: STAINLESS STEEL / PASSIVATED
 SEALS: SILICONE ELASTOMER
 INSULATION: GLASS, NOIBN

- GLENAIR 230-019 WILL MATE WITH ANY QPL MIL-C-26482 SERIES 2 BAYONET COUPLING PLUG OF SAME SIZE AND INSERT POLARIZATION

5 CONSULT FACTORY AND / OR MIL-STD-1669 FOR ARRANGEMENT AND INSERT POSITION OPTIONS

2 ASSEMBLY TO BE IDENTIFIED WITH GLENAIR'S NAME, PART NUMBER AND DATE CODE SPACE PERMITTING.

- PERFORMANCE:
 HERMETICITY: <1 X 10⁻⁷ SCCHE/SEC @ 1 ATMOSPHERE DIFFERENTIAL
 DIELECTRIC WITHSTANDING VOLTAGE: CONSULT FACTORY OR MIL-STD-1669
 INSULATION RESISTANCE: 5000 MEGOHMS MIN @ 500VDC