

## Silicon PNP Power Transistors

2SA1232

## DESCRIPTION

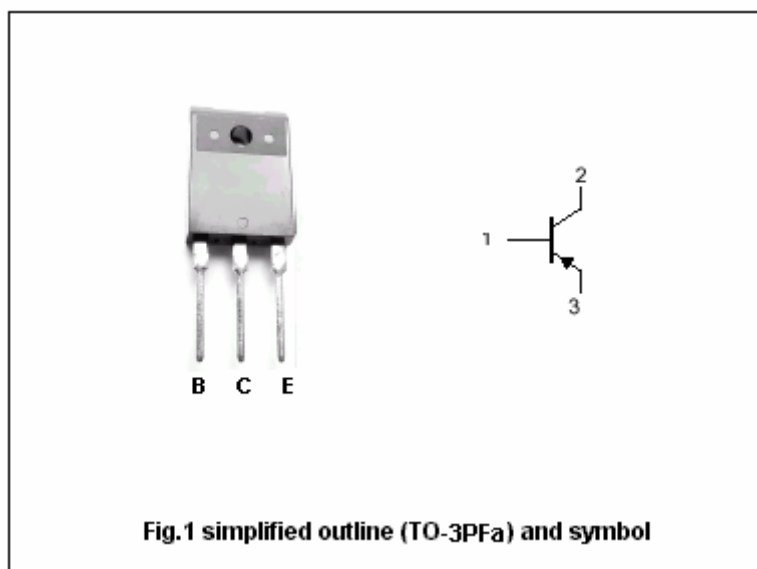
- With TO-3PFa package
- Complement to type 2SC3012

## APPLICATIONS

- Audio frequency power amplifier.

## PINNING

PIN	DESCRIPTION
1	Base
2	Collector;connected to mounting base
3	Emitter



## Absolute maximum ratings(Ta=°C)

SYMBOL	PARAMETER	CONDITIONS	VALUE	UNIT
V <sub>CBO</sub>	Collector-base voltage	Open emitter	-130	V
V <sub>CEO</sub>	Collector-emitter voltage	Open base	-130	V
V <sub>EBO</sub>	Emitter-base voltage	Open collector	-5	V
I <sub>C</sub>	Collector current		-10	A
I <sub>CM</sub>	Collector current-peak		-15	A
P <sub>C</sub>	Collector power dissipation	T <sub>C</sub> =25°C	100	W
T <sub>j</sub>	Junction temperature		150	°C
T <sub>stg</sub>	Storage temperature		-55~150	°C

## Silicon PNP Power Transistors

## 2SA1232

## CHARACTERISTICS

T<sub>j</sub>=25°C unless otherwise specified

SYMBOL	PARAMETER	CONDITIONS	MIN	TYP.	MAX	UNIT
V <sub>CEsat</sub>	Collector-emitter saturation voltage	I <sub>C</sub> =-5A; I <sub>B</sub> =-0.5A		-0.6	-1.5	V
V <sub>BEsat</sub>	Base-emitter saturation voltage	I <sub>C</sub> =-5A; I <sub>B</sub> =-0.5A		-1.3	-2.0	V
I <sub>CBO</sub>	Collector cut-off current	V <sub>CB</sub> =-130V; I <sub>E</sub> =0			-50	μ A
I <sub>EBO</sub>	Emitter cut-off current	V <sub>EB</sub> =-3V; I <sub>C</sub> =0			-50	μ A
h <sub>FE-1</sub>	DC current gain	I <sub>C</sub> =-2A; V <sub>CE</sub> =-5V	60		320	
h <sub>FE-2</sub>	DC current gain	I <sub>C</sub> =-5A; V <sub>CE</sub> =-5V	40			
C <sub>ob</sub>	Output capacitance	I <sub>E</sub> =0; V <sub>CB</sub> =-10V; f=1MHz		250		pF
f <sub>T</sub>	Transition frequency	I <sub>C</sub> =-1A; V <sub>CE</sub> =-5V		60		MHz

◆ h<sub>FE-1</sub> Classifications

R	Q	P
60-120	100-200	160-320

Silicon PNP Power Transistors

2SA1232

PACKAGE OUTLINE

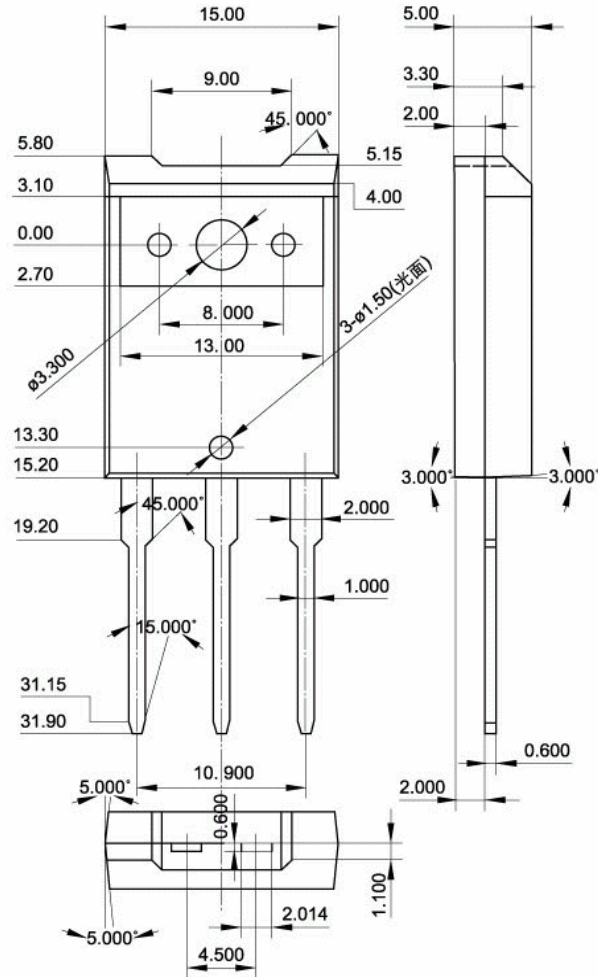


Fig.2 Outline dimensions (unindicated tolerance:  $\pm 0.30\text{mm}$ )