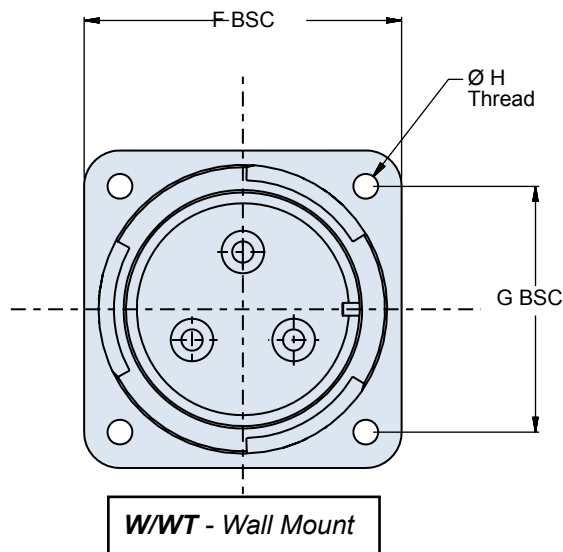
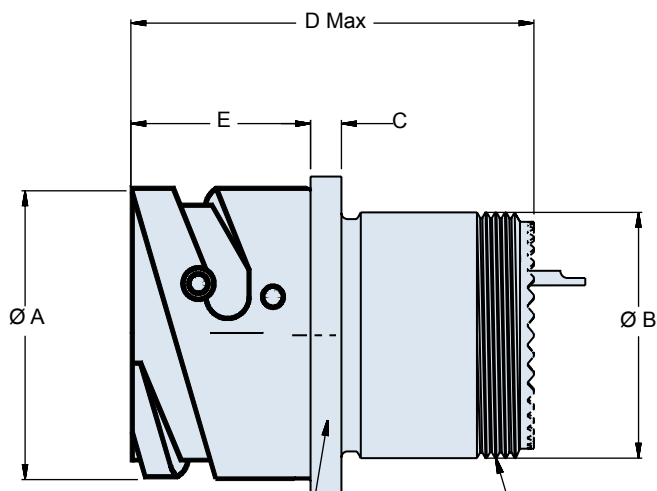
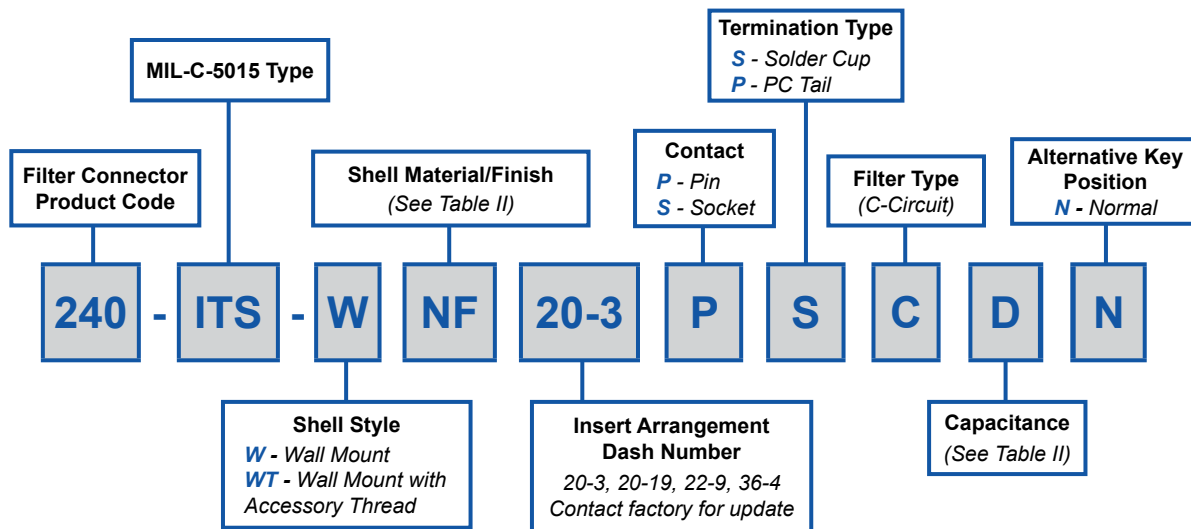


# 240-ITS-W Wall Mount Filtered Receptacle Connector (5015 Type) with Reverse Bayonet Coupling



See Note 3      See Note 5

### APPLICATION NOTES

- Material/Finishes:  
Shells - See Table I  
Insulators - High grade thermoplastic/N.A.  
Seals - Fluorosilicone/N.A.  
Contacts - Copper Alloy/Gold Plated
- EMI Circular Filter Connector designed to meet MIL-DTL-5015
- Assembly to be identified with date code, cage code, Glenair P/N, and serial number
- Electrical Performance:  
A - Capacitance - See Table II  
B - I.R. 5000 Megohms min at 200 VDC  
C - D.W.V. 500 VDC with 100 micro amps max leakage
- Shell style WT shown
- Metric dimensions (mm) are indicated in parentheses

# 240-ITS-W

## Wall Mount Filtered Receptacle Connector (5015 Type) with Reverse Bayonet Coupling



5015 Power Connectors

**TABLE I: DIMENSIONS**

| Shell Size | A Ø<br>+.000 -.004<br>(+.000 -.102) | B Ø<br>Max   | C<br>±.008 (.203) | D<br>Max     | E<br>+.008 -.000<br>(+.203 -.000) | F BSC<br>±.004 (.102) | G BSC<br>±.008 (.203) | H Ø<br>Thread |
|------------|-------------------------------------|--------------|-------------------|--------------|-----------------------------------|-----------------------|-----------------------|---------------|
| 10SL       | .719 (18.3)                         | .638 (16.2)  | .110 (2.8)        | 1.400 (35.6) | .728 (18.5)                       | .719 (18.3)           | 1.000 (25.4)          | M4            |
| 14S        | .965 (24.5)                         | .756 (19.2)  | .130 (3.3)        | 1.400 (35.6) | .728 (18.5)                       | .906 (23.0)           | 1.197 (30.4)          | M4            |
| 16S        | 1.071 (27.2)                        | .882 (22.4)  | .130 (3.3)        | 1.400 (35.6) | .728 (18.5)                       | .969 (24.6)           | 1.280 (32.5)          | M4            |
| 16         | 1.071 (27.2)                        | .882 (22.4)  | .130 (3.3)        | 1.800 (45.7) | .913 (23.2)                       | .969 (24.6)           | 1.280 (32.5)          | M4            |
| 18         | 1.209 (30.7)                        | 1.008 (25.6) | .157 (4.0)        | 1.800 (45.7) | .913 (23.2)                       | 1.063 (27.0)          | 1.378 (35.0)          | M4            |
| 20         | 1.339 (34.0)                        | 1.142 (29.0) | .157 (4.0)        | 1.800 (45.7) | .913 (23.2)                       | 1.157 (29.4)          | 1.496 (38.0)          | M4            |
| 22         | 1.469 (37.3)                        | 1.268 (32.2) | .157 (4.0)        | 1.800 (45.7) | .913 (23.2)                       | 1.250 (31.8)          | 1.614 (41.0)          | M4            |
| 24         | 1.610 (40.9)                        | 1.390 (35.3) | .157 (4.0)        | 1.800 (45.7) | .913 (23.2)                       | 1.374 (34.9)          | 1.752 (44.5)          | M4            |
| 28         | 1.839 (46.7)                        | 1.630 (41.4) | .157 (4.0)        | 1.800 (45.7) | .961 (24.4)                       | 1.563 (39.7)          | 2.004 (50.9)          | M5            |
| 32         | 2.102 (53.4)                        | 1.882 (47.8) | .157 (4.0)        | 1.800 (45.7) | .953 (24.2)                       | 1.750 (44.5)          | 2.244 (57.0)          | M5            |
| 36         | 2.346 (59.6)                        | 2.130 (54.1) | .157 (4.0)        | 1.800 (45.7) | .953 (24.2)                       | 1.937 (49.2)          | 2.500 (63.5)          | M5            |
| 40         | 2.579 (65.5)                        | 2.323 (59.0) | .157 (4.0)        | 1.800 (45.7) | .961 (24.4)                       | 2.187 (55.5)          | 2.752 (70.0)          | M5            |

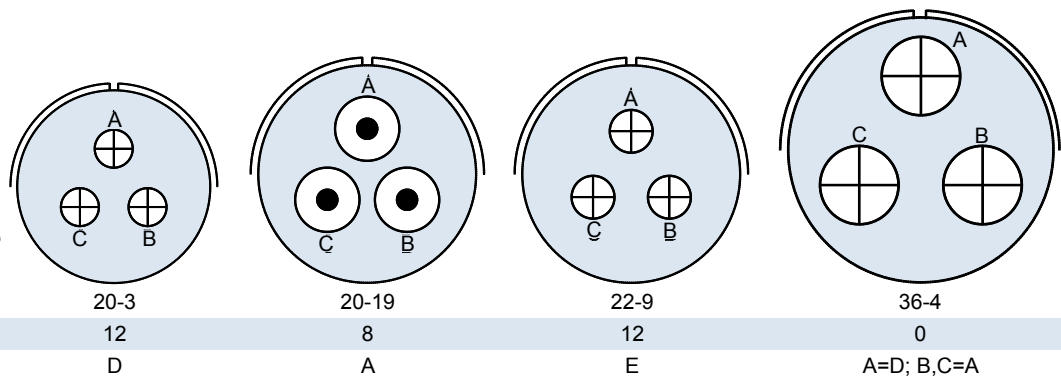
**TABLE III: CAPACITOR  
ARRAY CODE AND  
CAPACITANCE RANGE**

| CLASS | C - SECTION (pF) |
|-------|------------------|
| X     | 80,000 - 120,000 |
| Y     | 40,000 - 60,000  |
| Z     | 30,000 - 45,000  |
| A     | 19,000 - 28,000  |
| B     | 16,000 - 22,500  |
| C     | 9,000 - 16,500   |

**TABLE II: SHELL MATERIAL/FINISH**

| Symbol | Material        | Finish Description                         |
|--------|-----------------|--|
| M      | Aluminum        | Electroless Nickel                         |
| NF     |                 | Cadmium Olive Drab Over Electroless Nickel |
| P      | Stainless Steel | Electro-Deposited Nickel                   |

### Example Contact Arrangements



F