



240-264J MIL-DTL-26482 Series II Type Filter Connector Jam Nut Receptacle

B

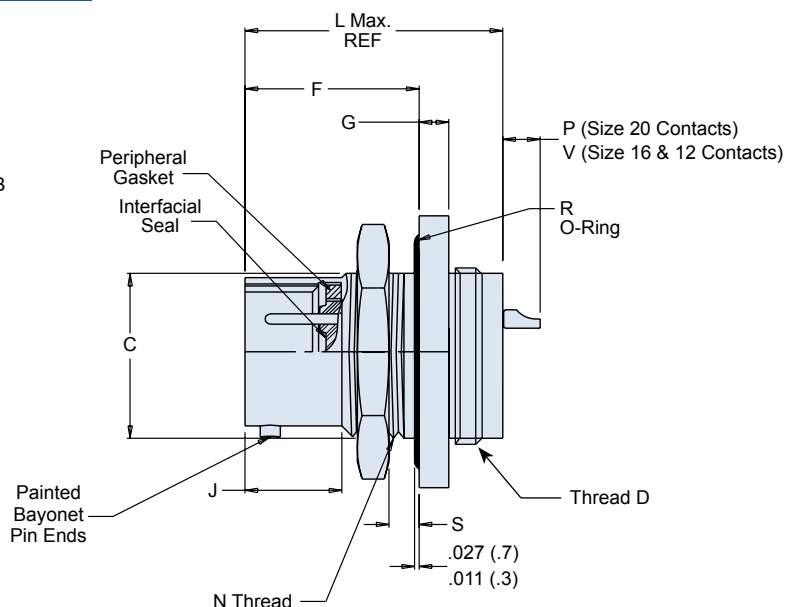
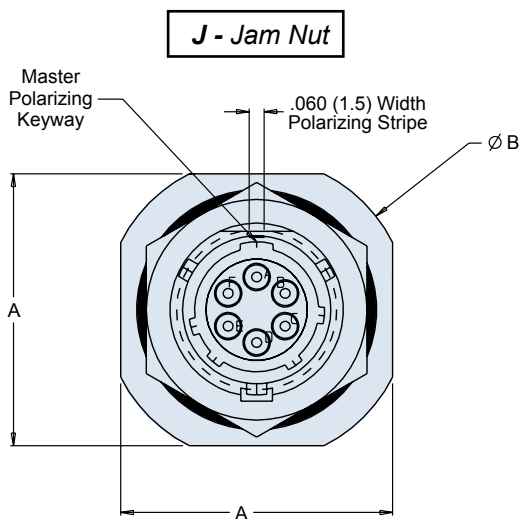
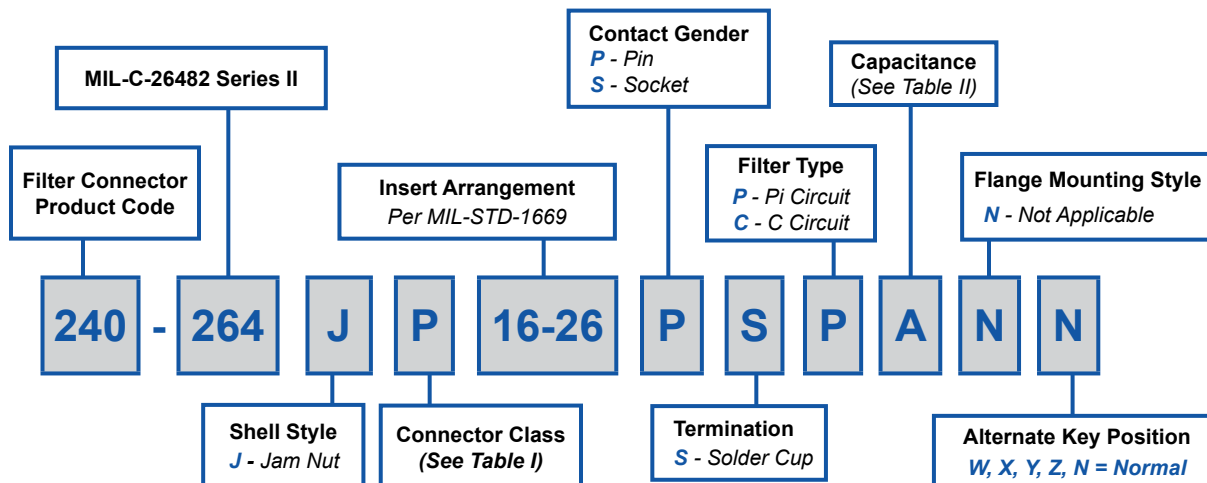


TABLE II: CAPACITOR ARRAY CODE CAPACITANCE RANGE

| CLASS | PI - CIRCUIT (pF) | C - CIRCUIT (pF) |
|-------|-------------------|------------------|
| X* | 160,000 - 240,000 | 80,000 - 120,000 |
| Y* | 80,000 - 120,000 | 40,000 - 60,000 |
| Z* | 60,000 - 90,000 | 30,000 - 45,000 |
| A | 38,000 - 56,000 | 19,000 - 28,000 |
| B | 32,000 - 45,000 | 16,000 - 22,500 |
| C | 18,000 - 33,000 | 9,000 - 16,500 |
| D | 8,000 - 12,000 | 4,000 - 6,000 |
| E | 3,300 - 5,000 | 1,650 - 2,500 |
| F | 800 - 1,300 | 400 - 650 |
| G | 400 - 600 | 200 - 300 |

* Reduced DWV - Please consult factory.

TABLE I: CONNECTOR CLASS

| SYM | CLASS | MATERIAL | FINISH DESCRIPTION |
|-----|---------------|-----------------|---|
| M | Environmental | Aluminum | Electroless Nickel |
| MT | Environmental | Aluminum | Ni-PTFE 1000 Hour Grey™ Nickel Fluorocarbon Polymer |
| NF | Environmental | Aluminum | Cadmium O.D. Over Electroless Nickel |
| P | Environmental | Stainless Steel | Electro-Deposited Nickel |
| ZN | Environmental | Aluminum | Zinc-Nickel Over Electroless Nickel |
| H2 | Hermetic | Stainless Steel | Electroless Nickel |

240-264J
MIL-DTL-26482 Series II Type Filter Connector
Jam Nut Receptacle

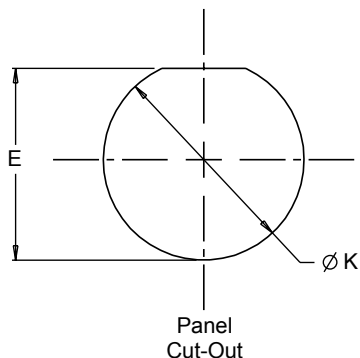


TABLE III: DIMENSIONS

| SHELL SIZE | A | B | C | D | E | F | G |
|------------|-------------------------------------|---|---|---------------------|------------------------|--------------------------------|---------------------------------|
| | +0.000 (0) -0.031 (.8) LENGTH | +0.000 (0) -0.031 (.8) ACROSS FLANGE CORNER | +0.000 (0) -0.010 (.3) MTG. FLAT | THREAD (CLASS 2) | PANEL FLAT LOCATION | MOUNTING FLANGE LOCATION | MOUNTING FLANGE THICKNESS |
| 8 | .954 (24.2) | 1.078 (27.4) | .530 (13.5) | .500-20 UNF | .536(13.6) | .707 (18.0) .691 (17.6) | .113 (2.9) .097 (2.5) |
| 10 | 1.078 (27.4) | 1.203 (30.6) | .655 (16.6) | .625-24 UNEF | .661 (16.8) | .707 (18.0) .691 (17.6) | .113 (2.9) .097 (2.5) |
| 12 | 1.266 (32.2) | 1.391 (35.3) | .818 (20.8) | .750-20 UNEF | .824 (20.9) | .707 (18.0) .691 (17.6) | .113 (2.9) .097 (2.5) |
| 14 | 1.391 (35.3) | 1.516 (38.5) | .942 (23.9) | .875-20 UNEF | .948 (24.1) | .707 (18.0) .691 (17.6) | .113 (2.9) .097 (2.5) |
| 16 | 1.516 (38.5) | 1.641 (41.7) | 1.062 (27.0) | 1.000-20 UNEF | 1.072 (27.2) | .707 (18.0) .691 (17.6) | .113 (2.9) .097 (2.5) |
| 18 | 1.641 (41.7) | 1.766 (44.9) | 1.191 (30.3) | 1.0625-18 UNEF | 1.197 (30.4) | .707 (18.0) .691 (17.6) | .113 (2.9) .097 (2.5) |
| 20 | 1.828 (46.4) | 1.954 (49.6) | 1.316 (33.4) | 1.1875-18 UNEF | 1.322 (33.6) | .772 (19.6) .754 (19.2) | .148 (3.8) .128 (3.3) |
| 22 | 1.954 (49.6) | 2.078 (52.8) | 1.441 (36.6) | 1.3125-18 UNEF | 1.447 (36.8) | .772 (19.6) .754 (19.2) | .148 (3.8) .128 (3.3) |
| 24 | 2.078 (52.8) | 2.203 (56.0) | 1.566 (39.8) | 1.4375-18 UNEF | 1.572 (39.9) | .803 (20.4) .785 (20.0) | .148 (3.8) .128 (3.3) |

TABLE III: DIMENSIONS (CONTINUED)

| SHELL SIZE | J | K | L | N | P | S | | V | MAX WEIGHT (Lbs.) |
|------------|---------------------------------------|---|-------------------|-------------------------------|--------------------------|----------------------|---------------|--------------------------|----------------------|
| | +/- .010 (.3) TO THREAD CHAMFER | +0.010 (.3) -0.005 (.1) PANEL MOUNTING HOLE | OVERALL LENGTH | UNEF-2A MOUNTING THREAD | | PANEL THICK- NESS | | | |
| | | | | | | MIN. | MAX. | | |
| 8 | .368 (9.3) | .572 (14.5) | 1.38 (35.1) | .5625-24 | .134 (3.4) .074 (1.9) | .062 (1.6) | .187 (4.8) | .204 (5.2) .144 (3.7) | .0430 (1.1) |
| 10 | .368 (9.3) | .697 (17.7) | 1.38 (35.1) | .6875-24 | .134 (3.4) .074 (1.9) | .062 (1.6) | .187 (4.8) | .204 (5.2) .144 (3.7) | .0610 (1.5) |
| 12 | .368 (9.3) | .885 (22.5) | 1.38 (35.1) | .875-20 | .134 (3.4) .074 (1.9) | .062 (1.6) | .187 (4.8) | .204 (5.2) .144 (3.7) | .0880 (2.2) |
| 14 | .368 (9.3) | 1.010 (25.7) | 1.38 (35.1) | 1.000-20 | .134 (3.4) .074 (1.9) | .062 (1.6) | .187 (4.8) | .204 (5.2) .144 (3.7) | .1100 (2.8) |
| 16 | .368 (9.3) | 1.135 (28.8) | 1.38 (35.1) | 1.125-18 | .134 (3.4) .074 (1.9) | .062 (1.6) | .187 (4.8) | .204 (5.2) .144 (3.7) | .1310 (3.3) |
| 18 | .368 (9.3) | 1.260 (32.0) | 1.38 (35.1) | 1.250-18 | .134 (3.4) .074 (1.9) | .062 (1.6) | .187 (4.8) | .204 (5.2) .144 (3.7) | .1720 (4.4) |
| 20 | .368 (9.3) | 1.385 (35.2) | 1.44 (36.6) | 1.375-18 | .099 (2.5) .039 (1.0) | .062 (1.6) | .250 (6.4) | .169 (4.3) .109 (2.8) | .2110 (5.4) |
| 22 | .368 (9.3) | 1.510 (38.4) | 1.44 (36.6) | 1.500-18 | .099 (2.5) .039 (1.0) | .062 (1.6) | .250 (6.4) | .169 (4.3) .109 (2.8) | .2420 (6.1) |
| 24 | .395 (10.0) | 1.635 (41.5) | 1.44 (36.6) | 1.625-18 | .099 (2.5) .039 (1.0) | .062 (1.6) | .250 (6.4) | .169 (4.3) .109 (2.8) | .2930 (7.4) |