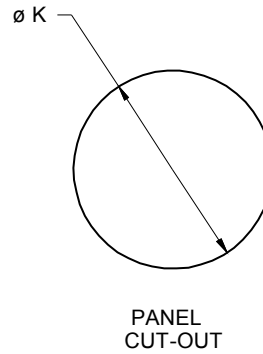
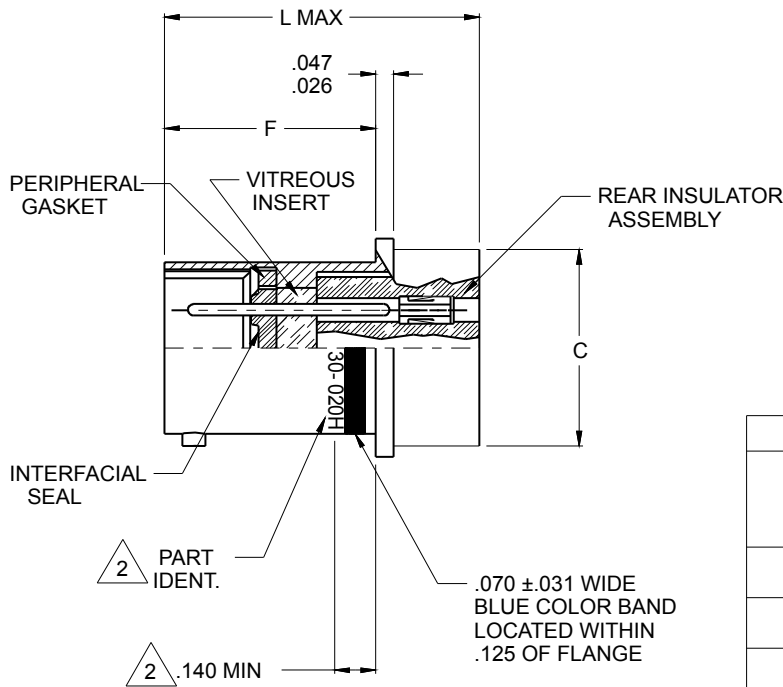
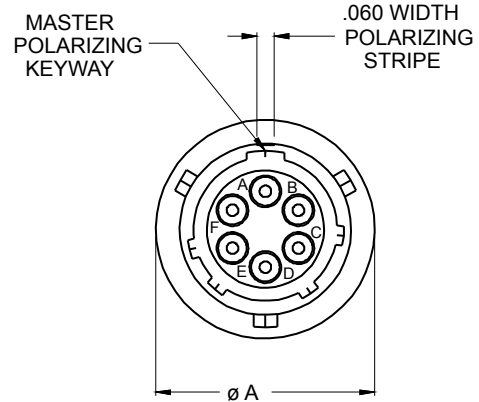
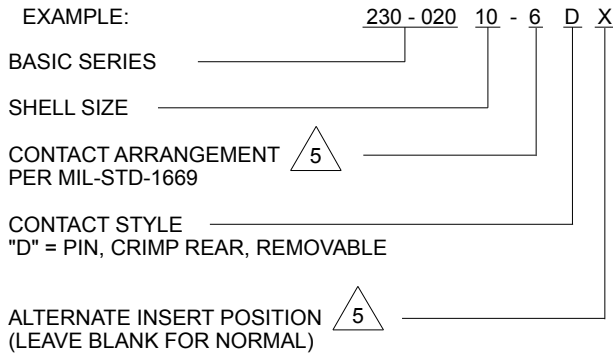


**HOW TO ORDER:**



**TABLE I: LAYOUTS**

SHELL SIZE	AVAILABLE CONTACT ARRANGEMENTS
8	-2, -3, -4, -33, -98
10	-6, -98
12	-3, -8, -10
14	-5, -12, -15, -18, -19
16	-8, -23, -99
18	-11, -30, -32
20	-16, -24, -27, -39, -41
22	-21, -32, -34, -41, -55
24	-31, -61

**230-020**  
**Hermetic Receptacle, Solder Mount, Crimp Contacts**  
**MIL-C-26482 Series II, MS3473 Type**



MIL-C-26482

**TABLE II: CONNECTOR DIMNESIONS**

SHELL SIZE	A $\varnothing$ $\pm 0.010$ (0.3)	C $\varnothing$	F	K	L MAX	MAX. WEIGHT (LBS)
8	.625 (15.9)	.563/.557 (14.3/14.1)	.735/.711 (18.7/18.1)	.570 (14.5)	1.078 (27.4)	TBD
10	.750 (19.1)	.673/.667 (17.1/16.9)	.735/.711 (18.7/18.1)	.680 (17.3)	1.078 (27.4)	TBD
12	.844 (21.4)	.782/.776 (19.9/19.7)	.735/.711 (18.7/18.1)	.789 (20.0)	1.078 (27.4)	TBD
14	.969 (24.6)	.907/.901 (23.0/22.9)	.735/.711 (18.7/18.1)	.914 (23.2)	1.078 (27.4)	TBD
16	1.094 (27.8)	1.032/1.026 (26.2/26.1)	.735/.711 (18.7/18.1)	1.039 (26.4)	1.078 (27.4)	TBD
18	1.218 (30.9)	1.157/1.151 (29.4/29.2)	.735/.711 (18.7/18.1)	1.164 (29.6)	1.078 (27.4)	TBD
20	1.312 (33.3)	1.251/1.245 (31.8/31.6)	.823/.799 (20.9/20.3)	1.258 (32.0)	1.140 (29.0)	TBD
22	1.438 (36.5)	1.376/1.371 (35.0/34.8)	.823/.799 (20.9/20.3)	1.383 (35.1)	1.140 (29.0)	TBD
24	1.564 (39.7)	1.501/1.495 (38.1/38.0)	.823/.799 (20.9/20.3)	1.508 (38.3)	1.140 (29.0)	TBD

**NOTES:**

1. MATERIAL/FINISH:

SHELL - C1215 CRS / TIN PLATED  
 CONTACTS - 52 NICKEL ALLOY / TIN PLATED  
 BAYONETS: STAINLESS STEEL / PASSIVATED  
 SEALS: SILICONE ELASTOMER  
 INSULATION: GLASS, NOIBN  
 REAR INSULATOR: RIGID DIELECTRIC

2 ASSEMBLY TO BE IDENTIFIED WITH GLENAIR'S NAME, PART NUMBER AND DATE CODE SPACE PERMITTING.

3. PERFORMANCE:

HERMETICITY:  $<1 \times 10^{-7}$  SCCHE/SEC @ 1 ATMOSPHERE DIFFERENTIAL  
 DIELECTRIC WITHSTANDING VOLTAGE: CONSULT FACTORY OR MIL-STD-1669  
 INSULATION RESISTANCE: 5000 MEGOHMS MIN @ 500VDC

4. GLENAIR 230-020 WILL MATE WITH ANY QPL MIL-C-26482 SERIES 2 BAYONET COUPLING PLUG OF SAME SIZE AND INSERT POLARIZATION.

5 SEE TABLE I ON SHEET 2 FOR AVAILABLE ARRANGEMENT OPTIONS.

6. CONNECTORS ARE SUPPLIED WITH APPLICABLE CRIMP CONTACTS PER MIL-C-39029/15-\*\*-\*\* AND MS3160-\*\* INSERT & REMOVAL TOOL