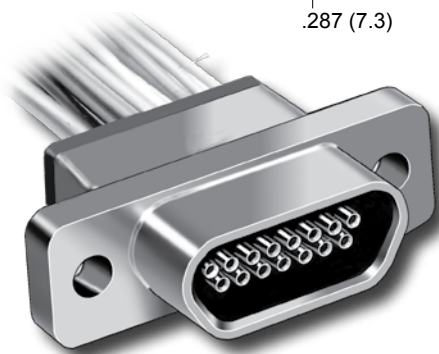
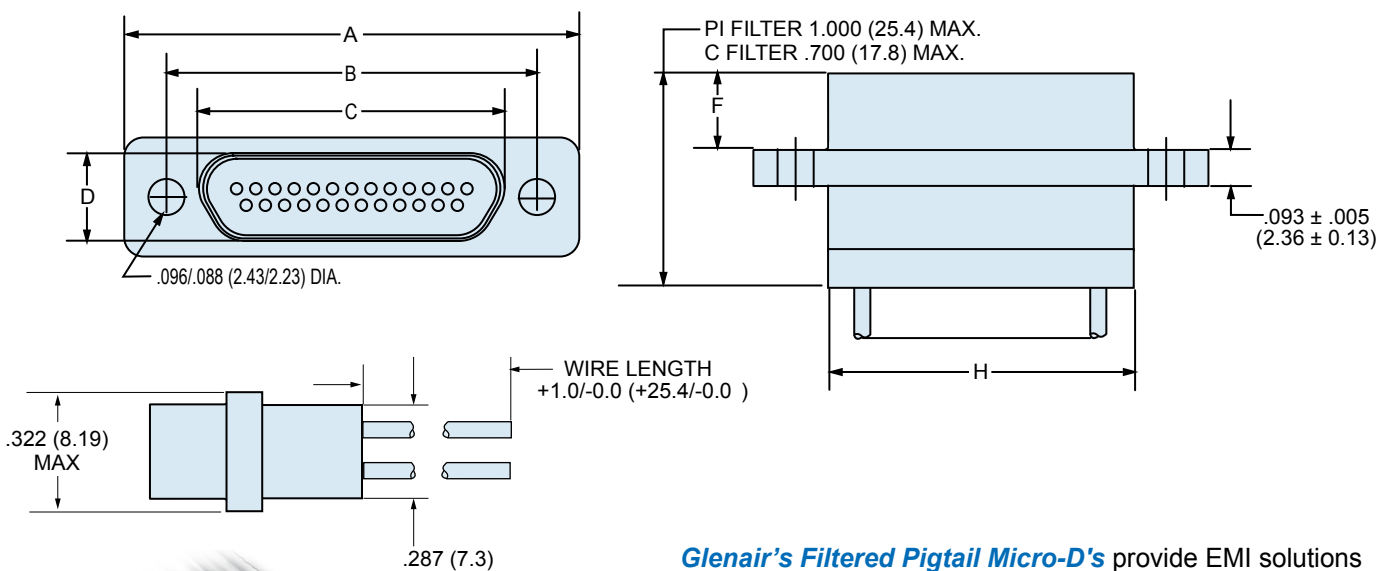


D



**Glenair's Filtered Pigtail Micro-D's** provide EMI solutions in a miniaturized M83513 Micro-D connector. These connectors feature ceramic capacitor planar arrays and ferrite inductors. Insulated wire is factory precision-crimped to TwistPin contacts for superior reliability in the most demanding environments.

**Choose 9 to 67 Contacts**, with standard cadmium or nickel plating on the connector housing or choose optional finishes such as gold or chem film.

240-032  
**Micro-D Filter Connectors**  
 Pre-Wired Pigtails with Insulated Wire



Micro-D  
 Connectors

**TABLE I: SHELL FINISH**

SYM	MATERIAL	FINISH DESCRIPTION
1	Aluminum	Cadmium
2	Aluminum	Nickel
5	Aluminum	Gold
6	Aluminum	Chem Film
33	Aluminum	Ni-PTFE 1000 Hour Grey™

**TABLE III: CAPACITOR ARRAY CODE  
 CAPACITANCE RANGE**

CLASS	PI - CIRCUIT (pF)	C - CIRCUIT (pF)
A	38,000 - 56,000	19,000 - 28,000
B	32,000 - 45,000	16,000 - 22,500
C	18,000 - 33,000	9,000 - 16,500
D	8,000 - 12,000	4,000 - 6,000
E	3,300 - 5,000	1,650 - 2,500
F	800 - 1,300	400 - 650
G	400 - 600	200 - 300

**TABLE II: MICRO-D MOUNTING HARDWARE**

B	P	M	M1	S	S1	L	K	F	R
<b>Thru-Hole</b> Order Hardware Separately	<b>Jackpost</b> Removable Includes Nut and Washer	<b>Jackscrew</b> Hex Head Removable E-ring	<b>Jackscrew</b> Hex Head Removable E-ring Extended	<b>Jackscrew</b> Slot Head Removable E-ring	<b>Jackscrew</b> Slot Head Removable E-ring Extended	<b>Jackscrew</b> Hex Head Non-Removable	<b>Jackscrew</b> Slot Head Non-Removable Extended	<b>Float Mount</b> For Front Panel Mounting	<b>Float Mount</b> For Rear Panel Mounting

**MICRO-D FILTER PIGTAIL DIMENSIONS**

Layout	A Max.		B		C Max.		D Max.		F		H Max.	
	In.	mm.	In. ±.003	mm. ±0.08	In.	mm.	In.	mm.	In. ±.004	mm. ±0.10	In.	mm.
<b>9P</b>	.785	19.94	.565	14.35	.333	8.46	.184	4.67	.183	4.65	.400	10.16
<b>9S</b>	.785	19.94	.565	14.35	.400	10.16	.250	6.35	.195	4.95	.400	10.16
<b>15P</b>	.935	23.75	.715	18.16	.483	12.27	.184	4.67	.183	4.65	.550	13.97
<b>15S</b>	.935	23.75	.715	18.16	.551	14.00	.250	6.35	.195	4.95	.550	13.97
<b>21P</b>	1.085	27.56	.865	21.97	.633	16.08	.184	4.67	.183	4.65	.700	17.78
<b>21S</b>	1.085	27.56	.865	21.97	.701	17.81	.250	6.35	.195	4.95	.700	17.78
<b>25P</b>	1.185	30.01	.965	24.51	.733	18.62	.184	4.67	.183	4.65	.800	20.32
<b>25S</b>	1.185	30.01	.965	24.51	.801	20.35	.250	6.35	.195	4.95	.800	20.32
<b>31P</b>	1.335	33.91	1.115	28.32	.883	22.43	.184	4.67	.183	4.65	.950	24.13
<b>31S</b>	1.335	33.91	1.115	28.32	.951	24.16	.250	6.35	.195	4.95	.950	24.13
<b>37P</b>	1.485	37.72	1.265	32.13	1.033	26.24	.184	4.67	.183	4.65	1.100	27.94
<b>37S</b>	1.485	37.72	1.265	32.13	1.101	27.96	.250	6.35	.195	4.95	1.100	27.94