

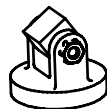
REVISION HISTORY			
REV	AUTH	DATE	DESCRIPTION
A	-	1/18/2008	INITIAL RELEASE



**X-SMALL MOUNT**

APPLICATIONS:

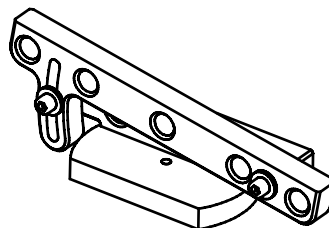
- 75-440-X
- 62-440-X
- 51-440-X
- 42-440-X
- 34-440-X
- 28-440-X
- 28-441-X



**SMALL MOUNT**

APPLICATIONS:

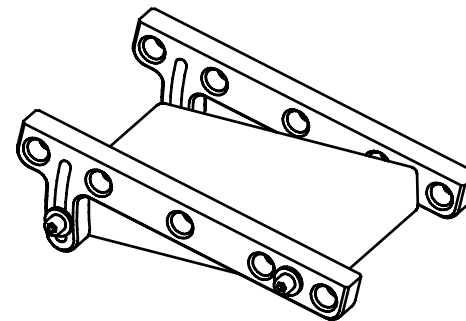
- 650-440-X
- 430-440-X
- 340-440-X
- 340-441-X
- 284-440-X
- 284-441-X
- 229-440-X
- 229-441-X
- 187-440-X
- 187-441-X
- 187-442-X
- 159-440-X
- 159-441-X
- 159-442-X
- 137-440-X
- 137-441-X
- 137-442-X
- 112-440-X
- 112-441-X
- 102-440-X
- 102-441-X
- 102-449-X/17
- 102-442-X
- 90-440-X
- 90-441-X
- 90-442-X
- 75-441-X
- 75-442-X
- 62-441-X
- 62-449-X/17.5
- 62-442-X
- 62-449-X/24
- 51-441-X
- 51-442-X
- 42-441-X
- 42-442-X
- 42-449-X/24
- 34-441-X
- 34-442-X
- 28-442-X
- 28-449-X/24



**MEDIUM MOUNT**

APPLICATIONS:

- 430-441-X
- 229-442-X
- 112-449-X/24
- 90-449-X/24



**LARGE MOUNT**

APPLICATIONS:

- 650-441-X
- 430-442-X
- 340-442-X
- 284-442-X

THIRD ANGLE PROJECTION:			APPROVALS DRAWN M.R. CHKD. APRVD.		DATE		ADVANCED TECHNICAL MATERIALS, INC. TEL: (631) 289-0363 FAX: (631) 289-0358 www.atmmicrowave.com		THE INFORMATION IN THIS DRAWING IS PROPRIETARY AND SHALL NOT BE USED OR DISCLOSED WITHOUT THE PRIOR WRITTEN CONSENT OF ATM, INC. DO NOT SCALE DWG.		
UNLESS OTHERWISE NOTED, DIMENSIONS ARE IN INCHES, TOLERANCES ARE: FRACTIONS: ±1/64 ANGLES: ±1/2°			HORN MOUNT APPLICATIONS		SIZE A		CAGE CODE 0R8N4		ATM DWG # 7994		REVISION A
BASIC DIMENSION			DECIMALS 2 PLACE 3 PLACE		MATERIAL -		TREATMENT -		MODEL # XXX-44X-X		SHEET 1
UNDER 6"			±.02 ±.005		FINISH -		MODEL #		XXX-44X-X		SHEET 1
6" - 12"			±.03 ±.010								
OVER 12"			±.06 ±.015								