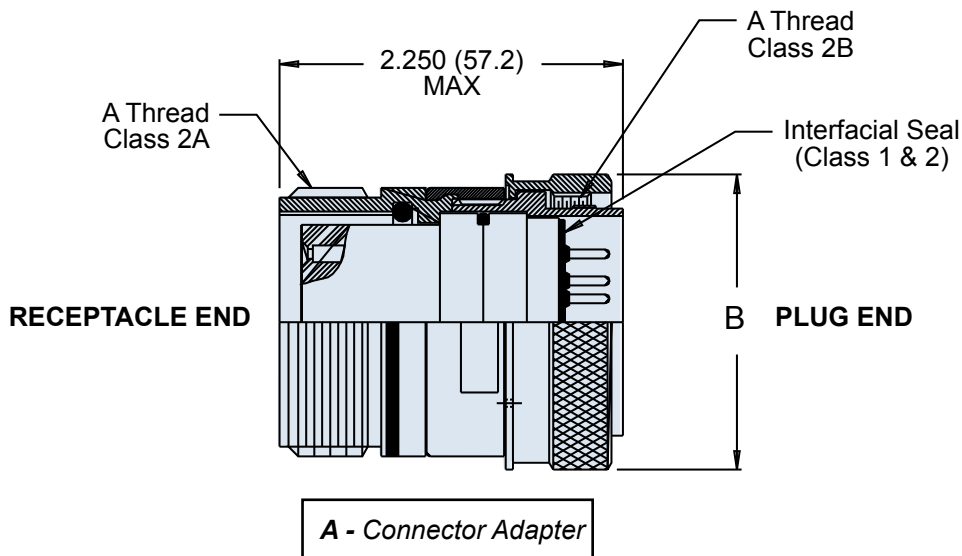
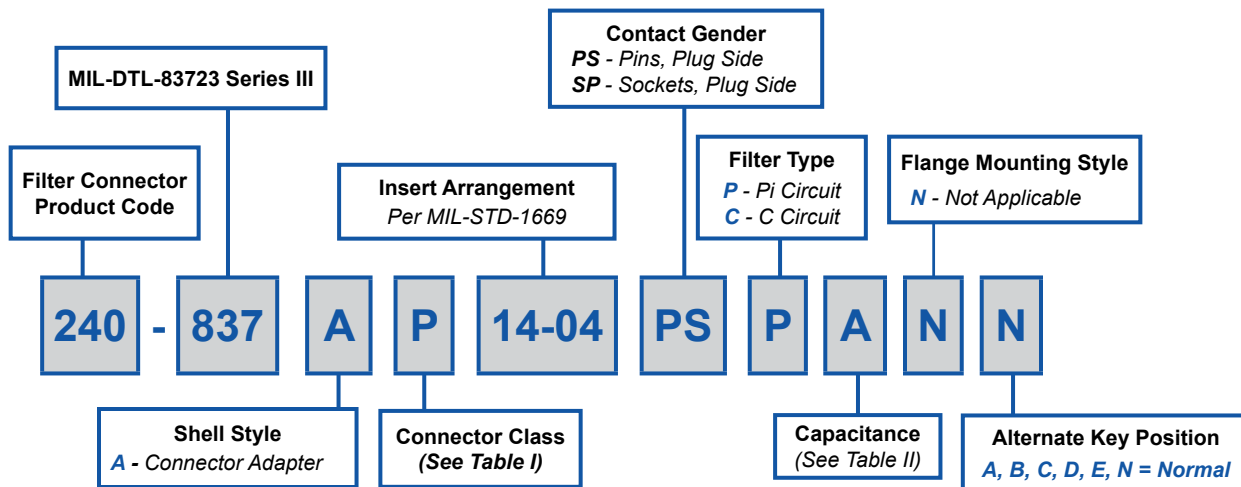




240-837A  
Glenair MIL-DTL-83723 Series III Type  
Connector Adapter

B



**240-837A**  
**Glenair MIL-DTL-83723 Series III Type**  
**Connector Adapter**



**TABLE I: CONNECTOR CLASS**

SYM	CLASS	MATERIAL	FINISH DESCRIPTION
M	Environmental	Aluminum	Electroless Nickel
MT	Environmental	Aluminum	Nickel Fluorocarbon polymer (Ni-PTFE)
NF	Environmental	Aluminum	Cadmium O.D. Over Electroless Nickel
P	Environmental	Stainless Steel	Electro-Deposited Nickel
ZN	Environmental	Aluminum	Zinc-Nickel Over Electroless Nickel
H2	Hermetic	Stainless Steel	Electroless Nickel

**TABLE II: CAPACITOR ARRAY CODE  
 CAPACITANCE RANGE**

CLASS	PI - CIRCUIT (pF)	C - CIRCUIT (pF)
X*	160,000 - 240,000	80,000 - 120,000
Y*	80,000 - 120,000	40,000 - 60,000
Z*	60,000 - 90,000	30,000 - 45,000
A	38,000 - 56,000	19,000 - 28,000
B	32,000 - 45,000	16,000 - 22,500
C	18,000 - 33,000	9,000 - 16,500
D	8,000 - 12,000	4,000 - 6,000
E	3,300 - 5,000	1,650 - 2,500
F	800 - 1,300	400 - 650
G	400 - 600	200 - 300

\* Reduced DWV – Please consult factory.

**TABLE III: DIMENSIONS**

SHELL SIZE	A THREAD	B DIA. MAX
08	9/16 - 24 UNEF-2	.776 (19.7)
10	11/16 - 24 UNEF-2	.906 (23.0)
12	7/8 - 24 UNEF-2	1.078 (27.4)
14	15/16 - 24 UNEF-2	1.141 (29.0)
16	1 1/16 - 18 UNEF-2	1.266 (32.2)
18	1 3/16 - 18 UNEF-2	1.375 (34.9)
20	1 5/16 - 18 UNEF-2	1.510 (38.4)
22	1 7/16 - 18 UNEF-2	1.625 (41.3)
24	1 9/16 - 18 UNEF-2	1.760 (44.7)