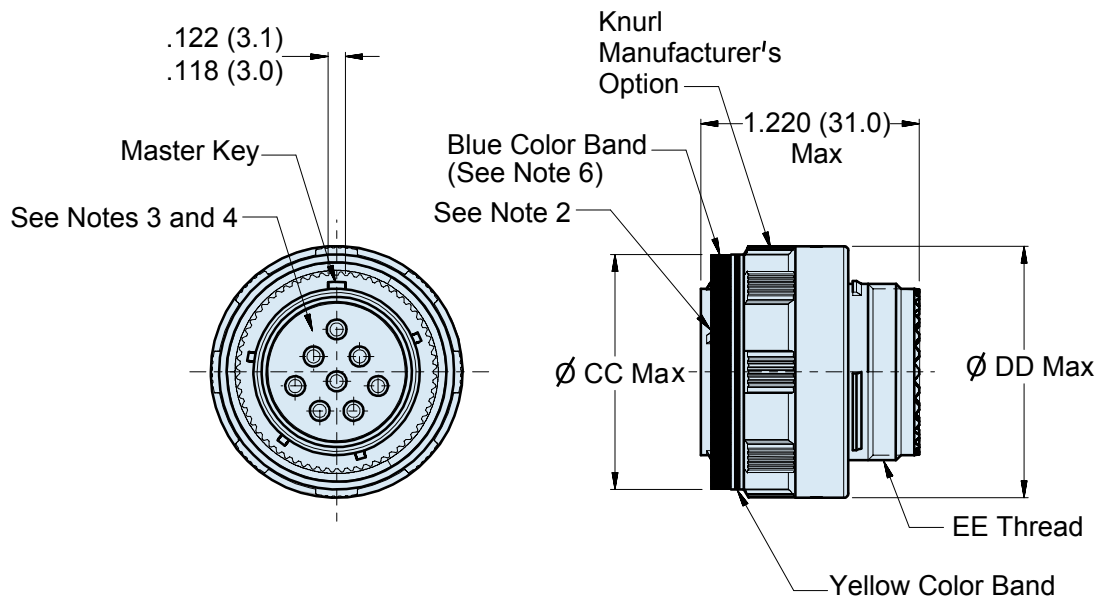
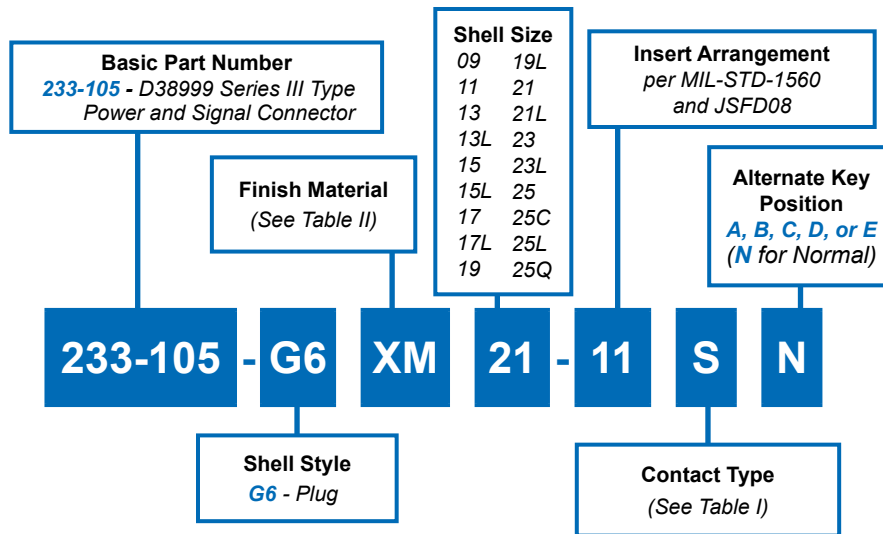


## 233-105-G6 MIL-DTL-38999 Series III Type Environmental Plug Connector



Consult factory for available insert arrangements.

## F

## APPLICATION NOTES

1. Material/ Finishes:  
Barrel, Coupling Nut - See Table II  
(Composite Coupling Nut - No Plating Required).  
Insulators- High Grade Rigid Dielectric/ N.A.  
Seals- Fluorosilicone/ N.A.
2. Assembly to be identified with Glenair's name, part number and date code space permitting.
3. Insert arrangement in accordance with MIL-STD-1560.
4. Insert arrangement shown is for reference only.
5. Blue Color Band indicates rear release retention system.
6. 16# AWG contact arrangements only. See available arrangements opposite page.
7. Metric Dimensions (mm) are indicated in parentheses.

**233-105-G6**  
**MIL-DTL-38999 Series III Type**  
**Environmental Plug Connector**



**TABLE I: CONTACT TYPES**

Ordering Code	Assembly Dash Number	Wire Size	Type	Military Part Number
P	850-002-16-364	#16 – #20	Pin	M39029/58-364
S	850-001-16-352	#16 – #20	Socket	M39029/56-352
A	Less pin contacts			
B	Less socket contacts			

**TABLE II: FINISH**

SYM	MATERIAL	FINISH
<b>XM</b>	Composite	Electroless Nickel
<b>XMT</b>	Composite	Ni-PTFE 1000 Hour Grey™
<b>XW</b>	Composite	Cadmium O.D. Over Electroless Nickel

\*Consult Factory for Additional Plating Options

**TABLE III: SHELL SIZE**

Shell Size Code	Shell Size	CC Max Dia	DD Max Dia	EE Thread
A	09	.811 (20.6)	.858 (21.8)	M12 x 1.0-6g 0.100R
B	11	.929 (23.6)	.984 (25.0)	M15 x 1.0-6g 0.100R
C	13	1.110 (28.2)	1.157 (29.4)	M18 x 1.0-6g 0.100R
D	15	1.232 (31.3)	1.280 (32.5)	M22 x 1.0-6g 0.100R
E	17	1.358 (34.5)	1.406 (35.7)	M25 x 1.0-6g 0.100R
F	19	1.469 (37.3)	1.516 (38.5)	M28 x 1.0-6g 0.100R
G	21	1.594 (40.5)	1.642 (41.7)	M31 x 1.0-6g 0.100R
H	23	1.720 (43.7)	1.768 (44.9)	M34 x 1.0-6g 0.100R
J	25	1.843 (46.8)	1.890 (48.0)	M37 x 1.0-6g 0.100R

