

HOW TO ORDER:

EXAMPLE: 230 - 015 Z1 - 10 - 6 P X

BASIC SERIES _____

FINISH _____

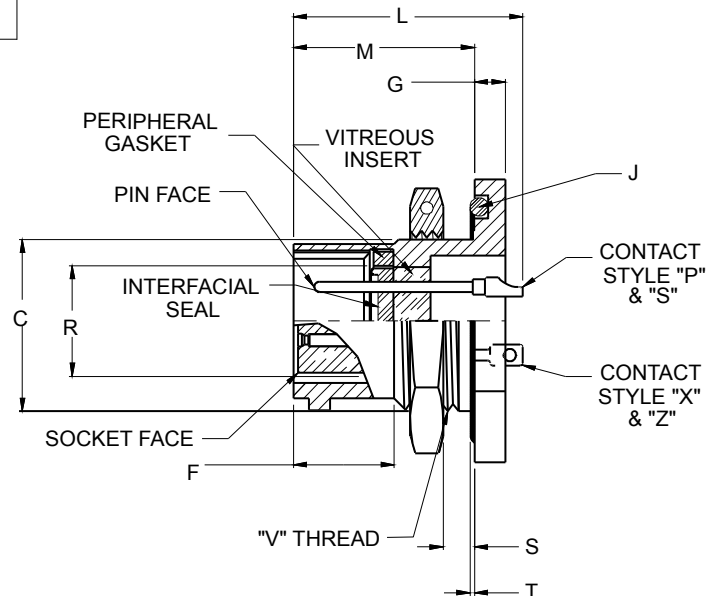
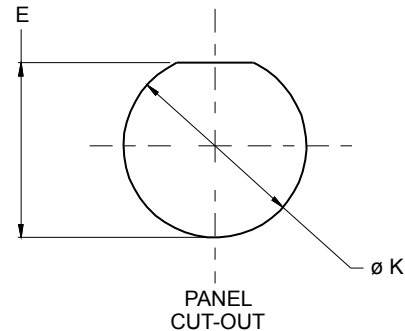
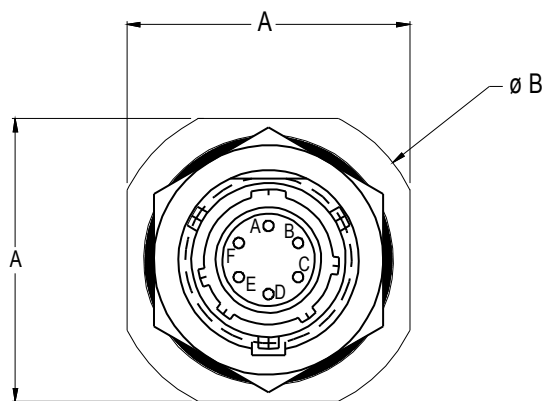
SHELL SIZE _____

CONTACT ARRANGEMENT PER MIL-STD-1669 $\triangle 5$ _____

CONTACT STYLE _____

"P" = SOLDER CUP, PIN FACE
 "S" = SOLDER CUP, SOCKET FACE
 "X" = EYELET, PIN FACE
 "Z" = EYELET, SOCKET FACE

ALTERNATE INSERT POSITION (LEAVE BLANK FOR NORMAL) $\triangle 5$ _____


NOTES:
1. MATERIAL/FINISH:

Z1: SHELL & JAM-NUT - 304L CRES / PASSIVATED
 CONTACTS - 52 NICKEL ALLOY / GOLD PLATED
 FT: SHELL & JAM-NUT - C1215 CRS / TIN PLATED
 CONTACTS - 52 NICKEL ALLOY / TIN PLATED
 BAYONETS: STAINLESS STEEL / PASSIVATED
 SEALS: SILICONE ELASTOMER
 INSULATION: GLASS, NOIBN

2. ASSEMBLY TO BE IDENTIFIED WITH GLENAIR'S NAME, PART NUMBER AND DATE CODE SPACE PERMITTING.

3. PERFORMANCE:

HERMETICITY: $<1 \times 10^{-7}$ SCCHE/SEC @ 1 ATMOSPHERE DIFFERENTIAL
 DIELECTRIC WITHSTANDING VOLTAGE: CONSULT FACTORY OR MIL-STD-1669
 INSULATION RESISTANCE: 5000 MEGOHMS MIN @ 500VDC

4. GLENAIR 230-015 WILL MATE WITH ANY QPL MIL-C-26482 SERIES 1 BAYONET COUPLING PLUG OF SAME SIZE AND INSERT POLARIZATION.

$\triangle 5$ CONSULT FACTORY AND / OR MIL-STD-1669 FOR ARRANGEMENT AND INSERT POSITION OPTIONS.

230-015
Hermetic Receptacle, Jam Nut Mount
MIL-C-26482 Series I, MS3114 Type



MIL-C-24682

TABLE I: CONNECTOR DIMENSIONS

SHELL SIZE	A MAX. LENGTH	B ϕ +.000 -.032 (+.0 - 0.8) ACROSS FLANGE CORNER	C +.000 -.010 (+.0 - 0.3) MTG. FLAT	E +.010 -.005 (+.0.3 - 0.1) PANEL FLAT LOCATION	F MINIMUM MOUNTING THREAD LOCATION	G $\pm 0.20 (\pm 0.5)$ MOUNTING FLANGE THICKNESS	J O-RING SEAL MS29513-
8	.954 (24.2)	1.078 (27.4)	.530 (13.5)	.540 (13.7)	.384 (9.8)	.117 (3.0)	17
10	1.078 (27.4)	1.203 (30.6)	.655 (16.6)	.665 (16.9)			19
12	1.266 (32.2)	1.391 (35.3)	.818 (20.8)	.828 (21.0)			22
14	1.391 (35.3)	1.516 (38.5)	.942 (23.9)	.952 (24.2)			24
16	1.516 (38.5)	1.641 (41.7)	1.062 (27.0)	1.076 (27.3)			26
18	1.641 (41.7)	1.766 (44.9)	1.191 (30.3)	1.201 (30.5)			28
20	1.828 (46.4)	1.954 (49.6)	1.316 (33.4)	1.326 (33.7)			.446 (11.3)
22	1.954 (49.6)	2.078 (52.8)	1.441 (36.6)	1.451 (36.9)	.148 (3.8)	130	
24	2.078 (52.8)	2.203 (56.0)	1.566 (39.8)	1.576 (40.0)		132	

TABLE I (CONTINUED): CONNECTOR DIMENSIONS

SHELL SIZE	K +.010 -.005 (+.0.3 - 0.1) PANEL MOUNTING HOLE	L MAX OVERALL LENGTH	M +.031-.000 (+.0.8 - 0) MOUNTING FLANGE LOCATION	R MAX I.D. GASKET	S PANEL THICKNESS		T $\pm 0.11 (\pm 0.3)$ O-RING PROJECTION	V UNEf-2A MOUNTING THREAD
					MIN	MAX		
8	.572 (14.5)	.875 (22.2)	.691 (17.6)	.329 (8.4)	.062 (1.6)	.125 (3.2)	.023 (0.6)	.5625-24
10	.697 (17.7)			.477 (12.1)				.6875-24
12	.885 (22.5)			.564 (14.3)				.875-20
14	1.010 (25.7)			.689 (17.5)				1.000-20
16	1.135 (28.8)			.814 (20.7)				1.125-18
18	1.260 (32.0)			.907 (23.0)				1.250-18
20	1.385 (35.2)			1.094 (27.8)				.879 (22.3)
22	1.510 (38.4)	1.164 (29.6)	1.500-18					
24	1.635 (41.5)	1.289 (32.7)	1.625-18					