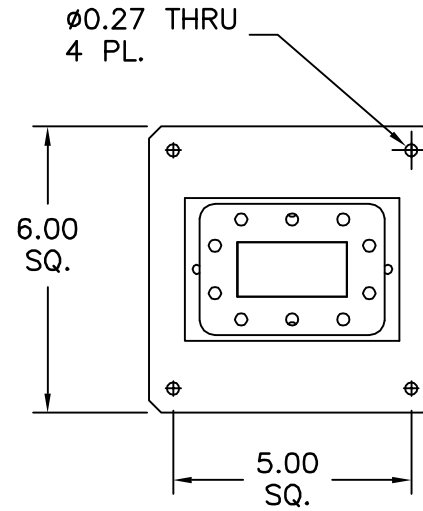
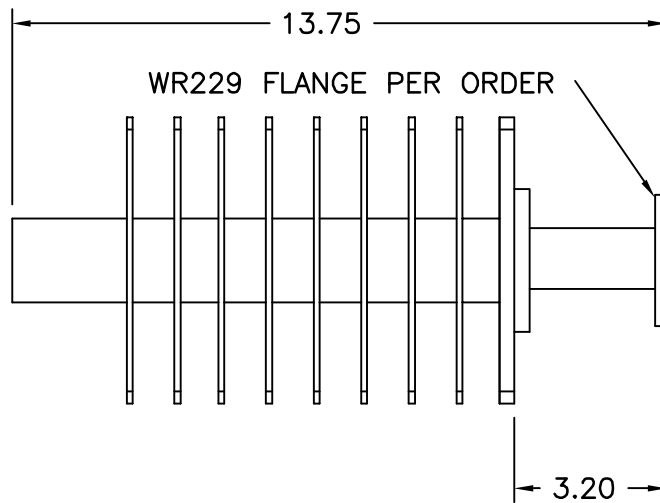



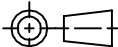
REV. A	AUTH. JLE	DATE 11/14/02	INITIAL RELEASE	APPROVED
REV. B	AUTH. RL	DATE 12/3/02	SUPERFICIAL APPEARANCE CHANGES UPDATED IN CONCERT WITH NEW D	APPROVED



PERFORMANCE SPECIFICATIONS

STD MODEL NO. 229-760-X  
 FREQUENCY 3.30-4.90 GHz  
 AVG POWER 4000 WATTS

X=	FLANGE TYPE=
1	CPRG
2	CPRF
3	CMR STANDARD
4	CMR CLEAR
5	CMR TAP
6	UG COVER
7	UG CHOKE
8	SPEC
9	PDR
10	UDR

MATERIAL	ALUM.	TREATMENT	IRIDITE	DRAWN	JLE	DATE	11/14/02	
FINISH	HI TEMP BLACK	MOD NO.	229-760-X	CHECKED		DATE		
<b>OUTLINE, WR229 HP TERMINATION</b>				APPROVED		DATE		
				CAGE CODE: OR8N4		DO NOT SCALE DWG		
ADVANCED TECHNICAL MATERIALS, INC. 49 RIDER AVE., PATCHOGUE N.Y. 11772 TEL: (631) 289-0386 FAX: (631) 289-0358 <a href="http://www.atmmicrowave.com">http://www.atmmicrowave.com</a>				UNLESS OTHERWISE NOTED DIMENSIONS ARE IN INCHES	FRACTIONS ±1/64	DECIMALS ±.01	ANGLES ±1/2°	SHEET.
 PROPRIETARY NOTICE: THE INFORMATION IN THIS DRAWING IS PROPRIETARY AND SHALL NOT BE USED OR DISCLOSED WITHOUT THE PRIOR WRITTEN CONSENT OF ATM, INC.				 SCALE 1/4	DWG. NO. 3434	REV. B	1/1	