

HOW TO ORDER:

EXAMPLE: 230 - 015 Z1 - 10 - 6 P X

BASIC SERIES _____

FINISH _____

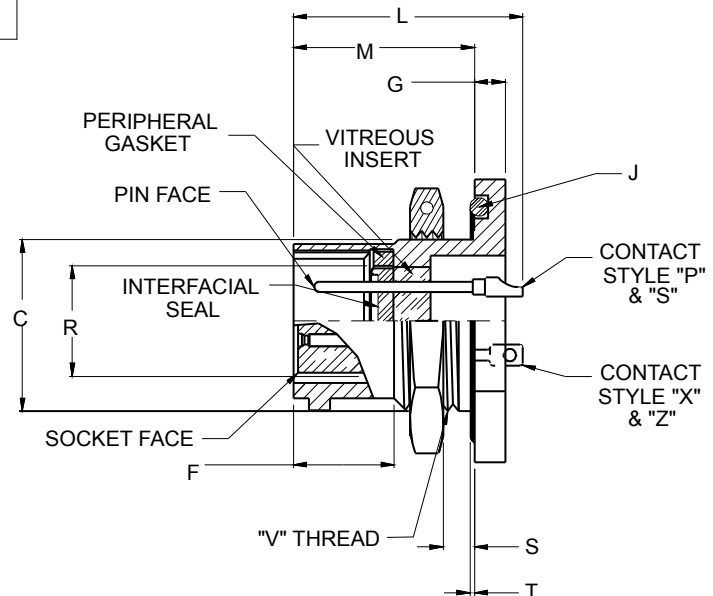
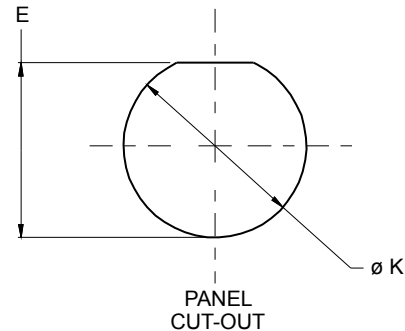
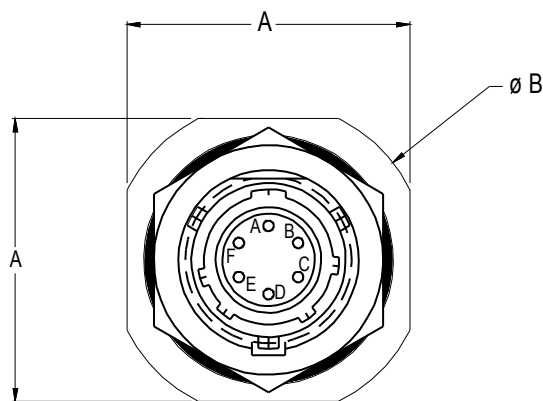
SHELL SIZE _____

CONTACT ARRANGEMENT PER MIL-STD-1669 $\triangle 5$ _____

CONTACT STYLE _____

"P" = SOLDER CUP, PIN FACE
 "S" = SOLDER CUP, SOCKET FACE
 "X" = EYELET, PIN FACE
 "Z" = EYELET, SOCKET FACE

ALTERNATE INSERT POSITION (LEAVE BLANK FOR NORMAL) $\triangle 5$ _____


NOTES:
1. MATERIAL/FINISH:

Z1: SHELL & JAM-NUT - 304L CRES / PASSIVATED
 CONTACTS - 52 NICKEL ALLOY / GOLD PLATED
 FT: SHELL & JAM-NUT - C1215 CRS / TIN PLATED
 CONTACTS - 52 NICKEL ALLOY / TIN PLATED
 BAYONETS: STAINLESS STEEL / PASSIVATED
 SEALS: SILICONE ELASTOMER
 INSULATION: GLASS, NOIBN

2. ASSEMBLY TO BE IDENTIFIED WITH GLENAIR'S NAME, PART NUMBER AND DATE CODE SPACE PERMITTING.

3. PERFORMANCE:

HERMETICITY: $<1 \times 10^{-7}$ SCCHE/SEC @ 1 ATMOSPHERE DIFFERENTIAL
 DIELECTRIC WITHSTANDING VOLTAGE: CONSULT FACTORY OR MIL-STD-1669
 INSULATION RESISTANCE: 5000 MEGOHMS MIN @ 500VDC

4. GLENAIR 230-015 WILL MATE WITH ANY QPL MIL-C-26482 SERIES 1 BAYONET COUPLING PLUG OF SAME SIZE AND INSERT POLARIZATION.

$\triangle 5$ CONSULT FACTORY AND / OR MIL-STD-1669 FOR ARRANGEMENT AND INSERT POSITION OPTIONS.

230-015
Hermetic Receptacle, Jam Nut Mount
MIL-C-26482 Series I, MS3114 Type



MIL-C-24682

TABLE I: CONNECTOR DIMENSIONS

| SHELL SIZE | A MAX. LENGTH | B \varnothing +.000 -.032 (+.0 - 0.8) ACROSS FLANGE CORNER | C +.000 -.010 (+.0 - 0.3) MTG. FLAT | E +.010 -.005 (+.03 - 0.1) PANEL FLAT LOCATION | F MINIMUM MOUNTING THREAD LOCATION | G ± 0.20 (± 0.5) MOUNTING FLANGE THICKNESS | J O-RING SEAL MS29513- |
|------------|------------------|---|---|--|--|--|---------------------------------|
| 8 | .954 (24.2) | 1.078 (27.4) | .530 (13.5) | .540 (13.7) | .384 (9.8) | .117 (3.0) | 17 |
| 10 | 1.078 (27.4) | 1.203 (30.6) | .655 (16.6) | .665 (16.9) | | | 19 |
| 12 | 1.266 (32.2) | 1.391 (35.3) | .818 (20.8) | .828 (21.0) | | | 22 |
| 14 | 1.391 (35.3) | 1.516 (38.5) | .942 (23.9) | .952 (24.2) | | | 24 |
| 16 | 1.516 (38.5) | 1.641 (41.7) | 1.062 (27.0) | 1.076 (27.3) | | | 26 |
| 18 | 1.641 (41.7) | 1.766 (44.9) | 1.191 (30.3) | 1.201 (30.5) | | | 28 |
| 20 | 1.828 (46.4) | 1.954 (49.6) | 1.316 (33.4) | 1.326 (33.7) | | | .446 (11.3) |
| 22 | 1.954 (49.6) | 2.078 (52.8) | 1.441 (36.6) | 1.451 (36.9) | .148 (3.8) | 130 | |
| 24 | 2.078 (52.8) | 2.203 (56.0) | 1.566 (39.8) | 1.576 (40.0) | | 132 | |
| | | | | | .479 (12.2) | | |

TABLE I (CONTINUED): CONNECTOR DIMENSIONS

| SHELL SIZE | K +.010 -.005 (+.03 - 0.1) PANEL MOUNTING HOLE | L MAX OVERALL LENGTH | M +.031-.000 (+.08 - 0) MOUNTING FLANGE LOCATION | R MAX I.D. GASKET | S PANEL THICKNESS | | T ± 0.11 (± 0.3) O-RING PROJECTION | V UNEf-2A MOUNTING THREAD |
|------------|---|-------------------------------|---|----------------------------|-------------------------|------------|---|------------------------------------|
| | | | | | MIN | MAX | | |
| 8 | .572 (14.5) | .875 (22.2) | .691 (17.6) | .329 (8.4) | .062 (1.6) | .125 (3.2) | .023 (0.6) | .5625-24 |
| 10 | .697 (17.7) | | | .477 (12.1) | | | | .6875-24 |
| 12 | .885 (22.5) | | | .564 (14.3) | | | | .875-20 |
| 14 | 1.010 (25.7) | | | .689 (17.5) | | | | 1.000-20 |
| 16 | 1.135 (28.8) | | | .814 (20.7) | | | | 1.125-18 |
| 18 | 1.260 (32.0) | | | .907 (23.0) | | | | 1.250-18 |
| 20 | 1.385 (35.2) | | | 1.094 (27.8) | | | | .879 (22.3) |
| 22 | 1.510 (38.4) | 1.164 (29.6) | 1.500-18 | | | | | |
| 24 | 1.635 (41.5) | 1.289 (32.7) | 1.625-18 | | | | | |
| | | | | | | | | |