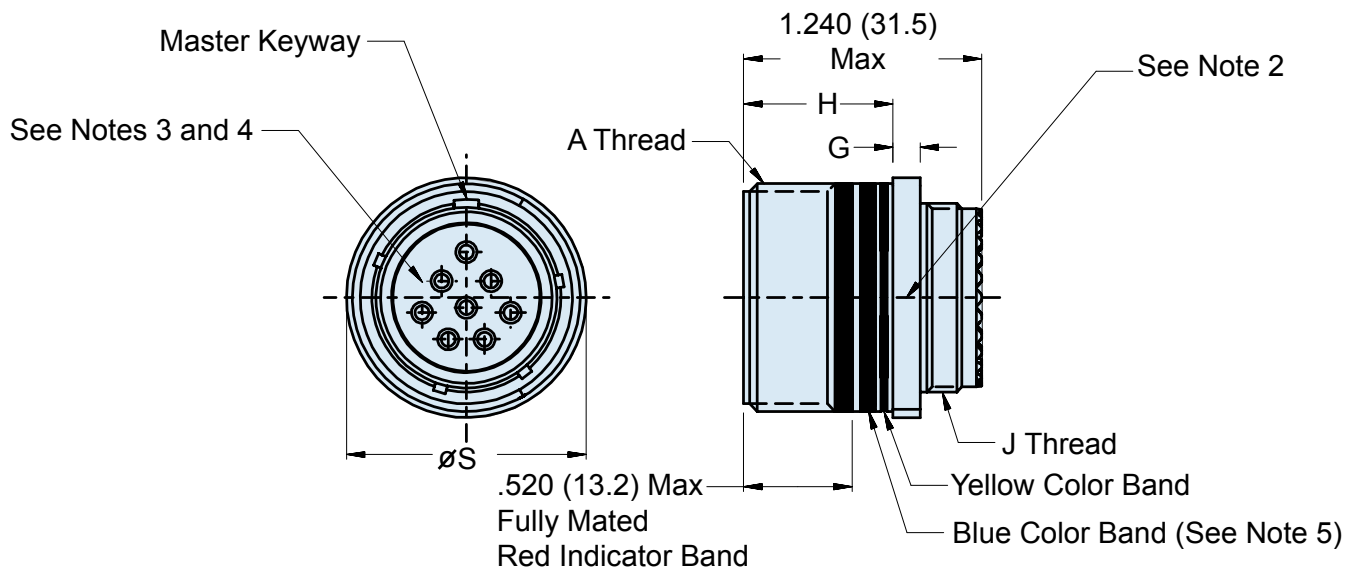
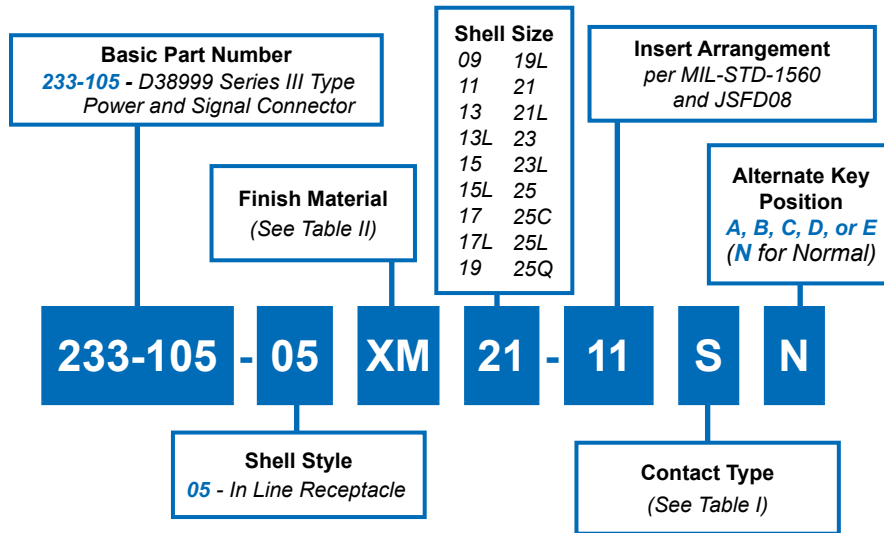


# 233-105-05 MIL-DTL-38999 Series III Type In-Line Environmental Receptacle Connector



Consult factory for available insert arrangements.

## APPLICATION NOTES

- Material/ Finishes:  
Shells - See Table II  
Insulator- High Grade Rigid Dielectric/ N.A  
Seals- Fluorosilicone/ N.A.
- Assembly to be identified with Glenair's name, part number and date code space permitting.
- Insert arrangement in accordance with MIL-STD-1560.
- Insert arrangement shown is for reference only.
- Blue Color Band indicates rear release retention system.
- For appropriate Glenair Terminus part numbers see Glenair Drawing 181-001 and 181-002.
- Metric Dimensions (mm) are indicated in parentheses.

**233-105-05**  
**MIL-DTL-38999 Series III Type**  
**In-Line Environmental Receptacle Connector**



TABLE I: CONTACT TYPES				
Ordering Code	Assembly Dash Number	Wire Size	Type	Military Part Number
P	850-002-16-364	#16 – #20	Pin	M39029/58-364
S	850-001-16-352	#16 – #20	Socket	M39029/56-352
A	Less pin contacts			
B	Less socket contacts			

TABLE II: FINISH		
SYM	MATERIAL	FINISH
<b>XM</b>	Composite	Electroless Nickel
<b>XMT</b>	Composite	Ni-PTFE 1000 Hour Grey™
<b>XW</b>	Composite	Cadmium O.D. Over Electroless Nickel

\*Consult Factory for Additional Plating Options

TABLE III: SHELL SIZE						
Shell Size Code	Shell Size	A Thread	G	H	S Dia	J Thread
A	09	.6250-.1P-.3L-TS-2A	.144 (3.7) .083 (2.1)	.823 (20.9) .768 (19.5)	.715 (18.2)	M12 x 1.0-6g 0.100R
B	11	.7500-.1P-.3L-TS-2A	.144 (3.7) .083 (2.1)	.823 (20.9) .768 (19.5)	.840 (21.3)	M15 x 1.0-6g 0.100R
C	13	.8750-.1P-.3L-TS-2A	.144 (3.7) .083 (2.1)	.823 (20.9) .768 (19.5)	.963 (24.5)	M18 x 1.0-6g 0.100R
D	15	1.0000-.1P-.3L-TS-2A	.144 (3.7) .083 (2.1)	.823 (20.9) .768 (19.5)	1.090 (27.7)	M22 x 1.0-6g 0.100R
E	17	1.1875-.1P-.3L-TS-2A	.144 (3.7) .083 (2.1)	.823 (20.9) .768 (19.5)	1.275 (32.4)	M25 x 1.0-6g 0.100R
F	19	1.2500-.1P-.3L-TS-2A	.144 (3.7) .083 (2.1)	.823 (20.9) .768 (19.5)	1.337 (34.0)	M28 x 1.0-6g 0.100R
G	21	1.3750-.1P-.3L-TS-2A	.171 (65.2) .083 (39.8)	.791 (20.0) .736 (18.7)	1.463 (37.2)	M31 x 1.0-6g 0.100R
H	23	1.5000-.1P-.3L-TS-2A	.171 (65.2) .083 (39.8)	.791 (20.0) .736 (18.7)	1.587 (40.3)	M34 x 1.0-6g 0.100R
J	25	1.6250-.1P-.3L-TS-2A	.171 (65.2) .083 (39.8)	.791 (20.0) .736 (18.7)	1.713 (43.5)	M37 x 1.0-6g 0.100R

