

Silicon NPN Power Transistors

2SC3012

DESCRIPTION

- With TO-3PN package
- Complement to type 2SA1232
- High transition frequency

APPLICATIONS

- Audio frequency power amplifier.

PINNING

PIN	DESCRIPTION
1	Base
2	Collector;connected to mounting base
3	Emitter

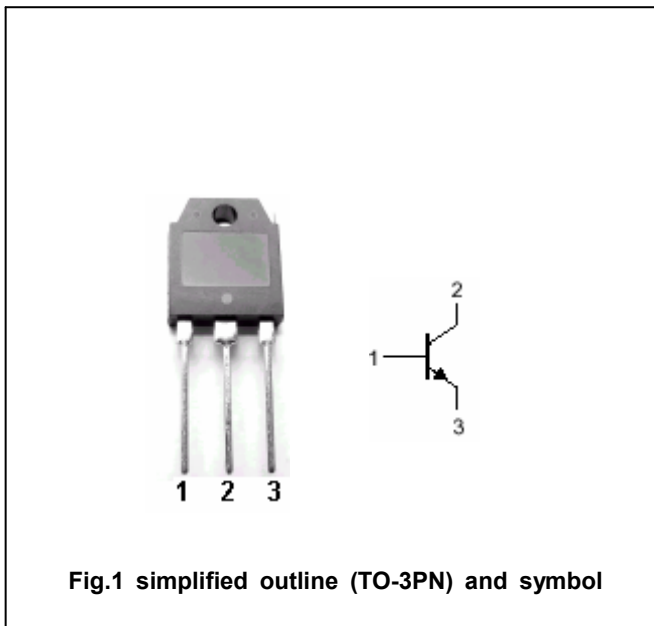


Fig.1 simplified outline (TO-3PN) and symbol

Absolute maximum ratings(Ta=□)

SYMBOL	PARAMETER	CONDITIONS	VALUE	UNIT
V _{CBO}	Collector-base voltage	Open emitter	130	V
V _{CEO}	Collector-emitter voltage	Open base	130	V
V _{EBO}	Emitter-base voltage	Open collector	5	V
I _C	Collector current		10	A
I _{CM}	Collector current-peak		15	A
P _C	Collector power dissipation	T _C =25□	100	W
T _j	Junction temperature		150	□
T _{stg}	Storage temperature		-55~150	□

Silicon NPN Power Transistors

2SC3012

CHARACTERISTICS

T_j=25°C unless otherwise specified

SYMBOL	PARAMETER	CONDITIONS	MIN	TYP.	MAX	UNIT
V _{CEsat}	Collector-emitter saturation voltage	I _C =5A; I _B =0.5A		0.6	1.5	V
V _{BEsat}	Base-emitter saturation voltage	I _C =5A; I _B =0.5A		1.3	2.0	V
I _{CBO}	Collector cut-off current	V _{CB} =130V; I _E =0			50	μA
I _{EBO}	Emitter cut-off current	V _{EB} =3V; I _C =0			50	μA
h _{FE-1}	DC current gain	I _C =2A; V _{CE} =5V	60		320	
h _{FE-2}	DC current gain	I _C =5A; V _{CE} =5V	40			
C _{ob}	Output capacitance	I _E =0; V _{CB} =10V; f=1MHz		150		pF
f _T	Transition frequency	I _C =1A; V _{CE} =5V		60		MHz

◆ h_{FE-1} Classifications

R	Q	P
60-120	100-200	160-320

Silicon NPN Power Transistors

2SC3012

PACKAGE OUTLINE

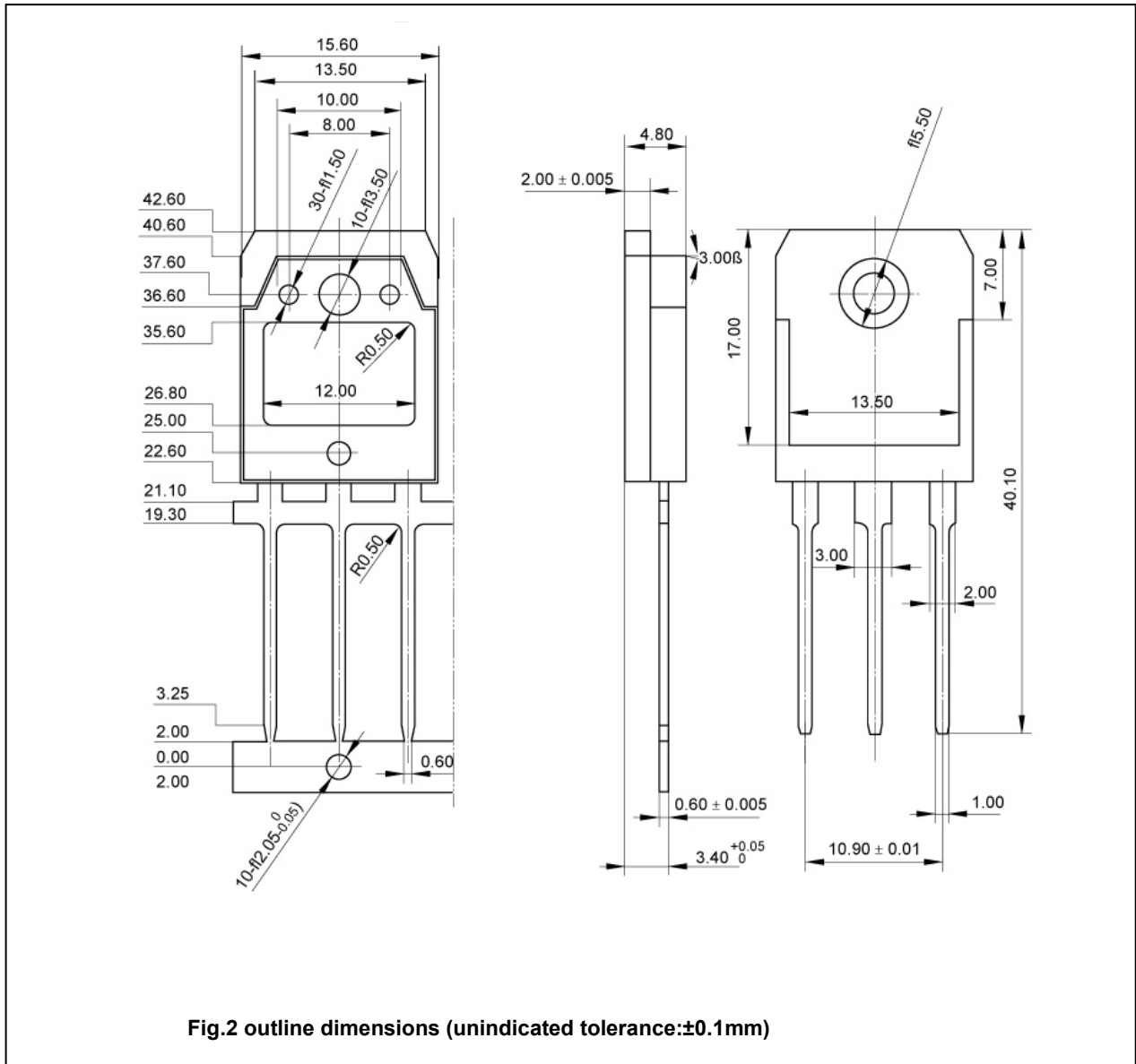


Fig.2 outline dimensions (unindicated tolerance:±0.1mm)