

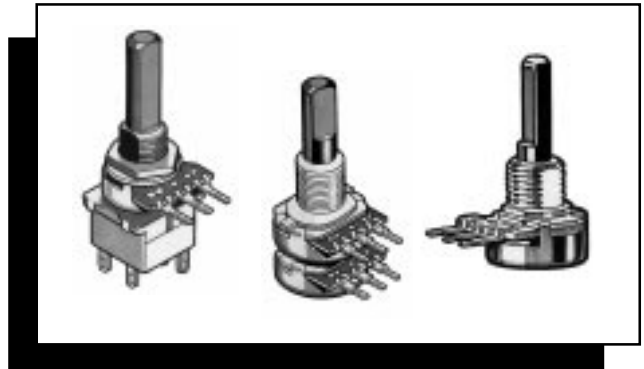
MEGGITT CITEC  
POTENTIOMETERS,  
INDUCTORS,  
SURFACE MOUNT DEVICES  
SWITCHES, NETWORKS  
ENCODERS, SENSORS

---

## Spindle Operated Potentiometers

### TYPE 23 SERIES

---



---

A popular range of 20mm control potentiometers, the type 23 series can be tailored to suit more specific requirements. The potentiometers are available with printed carbon resistance element, choice of bush lengths in metal or plastic and insulated shafts up to 50mm in length. In addition BS approved mains and low current switches are available as standard options.

---

#### MEGGITT CITEC KEY FEATURES

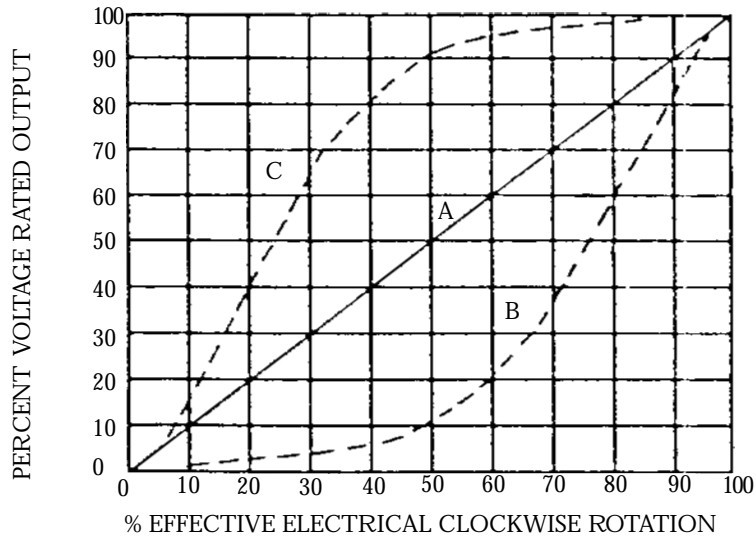
- **VERSATILE DESIGN CAN BE CUSTOMISED TO SUIT YOUR REQUIREMENTS**
  - **0.4 WATT AT 40°C**
  - **DIE CAST METAL BUSH AVAILABLE**
  - **INSULATED BUSH AVAILABLE**
  - **INSULATED SHAFTS UP TO 50mm**
  - **EYELET OR PC TERMINATIONS**
  - **RUGGED CONSTRUCTION**
  - **MOUNTING BRACKET**
  - **AUDIO LAWS AVAILABLE**
  - **DUAL GANG AND DUAL CONCENTRIC STYLES**
-

**ELECTRICAL**

Resistance Range ( Law ):	1K to 1M (Linear) 4K7 to 470K (Non Linear)
Resistance Values:	1, 2.2 and 4.7 per decade
Resistance Tolerance:	± 20% (± 10% by selection)
Rated Dissipation at 40°C:	0.4W (Linear), 0.2W (Non Linear)
Limiting Element Voltage:	500V DC or AC RMS
Electrical Rotation:	267° without switch, 232° with switch
Terminal Resistance:	5 Ohms maximum
Noise (ENR):	2% maximum (Linear), 3% maximum (Non Linear)
Insulation Resistance:	4G minimum
Voltage Proof:	1000 V AC peak

**RESISTANCE LAWS**

- A. - Linear
- B. - Log
- C. - Inverse Log



**MECHANICAL**

Operating Torque:	15 mNm maximum
Mechanical Rotation:	300°
End Stop Torque:	800 mNm maximum

**ENVIRONMENTAL**

Limits of Resistance Change:	15% (After 1000 hours endurance)
Temperature characteristics of resistance:	5% ( -55°C to 125°C )
Bump Severity:	390m/s <sup>2</sup> , 4000 Bumps
Vibration Severity:	10 - 500 Hz, 0.75mm or 98m/s <sup>2</sup>
Climatic Catagory:	8 days @ 36°C 82% RH ΔR < 15%
Mechanical Endurance:	15000 Operations (minimum)

**DIY DESIGN**

The 23 Series can be customised to suit your individual requirements with features such as detent action, track centre tap etc. Please call our technical sales team to discuss variations on these 20mm diameter devices.

DIMENSIONS

