

* Please consult factory for Pin/Pin and/or Socket/Socket contact arrangements.

240-383A
MIL-DTL-38999 Series III Filter Connector
Connector Adapter



TABLE I: CONNECTOR CLASS

SYM	CLASS	MATERIAL	FINISH DESCRIPTION
M	Environmental	Aluminum	Electroless Nickel
MT	Environmental	Aluminum	Nickel Fluorocarbon Polymer (Ni-PTFE)
NF	Environmental	Aluminum	Cad. O.D. Over Electroless Nickel
P	Environmental	Stainless	Electro-Deposited Nickel
ZN	Environmental	Aluminum	Zinc-Nickel Over Electroless Nickel
H2*	Hermetic	Stainless	Electroless Nickel

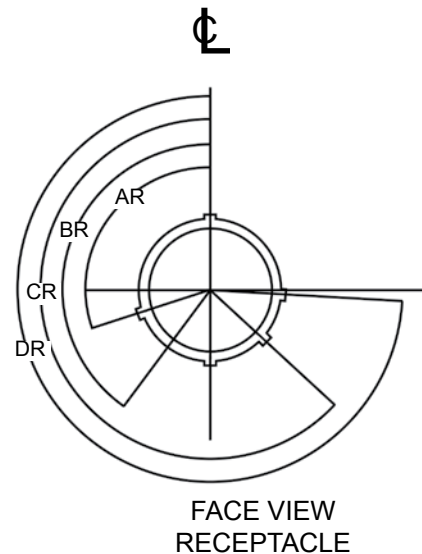
*Consult Factory for
 Additional Filter Types,
 TVS Diodes, and other
 Custom Configurations.*

* Some dimensions do not apply, see sales drawing 240-383JH2

**TABLE II: CAPACITOR ARRAY CODE
 CAPACITANCE RANGE**

CLASS	PI - CIRCUIT (pF)	C - CIRCUIT (pF)
X*	160,000 - 240,000	80,000 - 120,000
Y*	80,000 - 120,000	40,000 - 60,000
Z*	60,000 - 90,000	30,000 - 45,000
A	38,000 - 56,000	19,000 - 28,000
B	32,000 - 45,000	16,000 - 22,500
C	18,000 - 33,000	9,000 - 16,500
D	8,000 - 12,000	4,000 - 6,000
E	3,300 - 5,000	1,650 - 2,500
F	800 - 1,300	400 - 650
G	400 - 600	200 - 300

* Reduced DWV – Please consult factory.



DIMENSIONS

SHELL SIZE CODE	SHELL SIZE	A THREAD CLASS 2	B DIA. MAX
A-1	09	.6250- .1P- .3L-TS-2A	.858 (21.8)
B-1	11	.7500- .1P- .3L-TS-2A	.984 (25.0)
C-1	13	.8750- .1P- .3L-TS-2A	1.157 (29.4)
D-1	15	1.000- .1P- .3L-TS-2A	1.280 (32.5)
E-1	17	1.1875- .1P- .3L-TS-2A	1.406 (35.7)
F-1	19	1.2500- .1P- .3L-TS-2A	1.516 (38.5)
G-1	21	1.3750- .1P- .3L-TS-2A	1.642 (41.7)
H-1	23	1.5000- .1P- .3L-TS-2A	1.768 (44.9)
J-1	25	1.6250- .1P- .3L-TS-2A	1.890 (48.0)