



## FEATURES

- Radial Format
- Up to 1.5A IDC
- 10 $\mu$ H to 2.2mH
- Low DC Resistance
- Miniature Size
- PCB Mounting
- MIL-I-23053/5 Class I & II Slewing
- Fully Tinned Leads
- Supplied in Bags of 100
- Custom Parts Available

## DESCRIPTION

The 2200R Series is a general-purpose range of inductors suitable for low to medium current applications. Their small footprint makes them ideal for high-density applications where a chip inductor will not cope with the power requirement.

## SELECTION GUIDE

Order Code	Inductance $\pm 10\%$ (at 1kHz) $\mu$ H	DC Resistance MAX	DC Current Continuous <sup>2</sup> A MAX	Nominal Q at f kHz		Nominal Self Resonant Frequency MHz
				Q	f	
<b>22R103</b>	10	0.07	1.50	140	1400	40.00
<b>22R153</b>	15	0.80	1.10	150	1400	30.00
<b>22R223</b>	22	0.11	1.00	150	950	20.00
<b>22R333</b>	33	0.15	0.92	150	950	15.00
<b>22R473</b>	47	0.28	0.78	160	600	12.80
<b>22R683</b>	68	0.30	0.77	150	700	6.80
<b>22R104</b>	100	0.50	0.66	160	450	6.00
<b>22R154</b>	150	0.54	0.52	160	300	4.40
<b>22R224</b>	220	1.05	0.44	150	250	3.70
<b>22R334</b>	330	1.21	0.38	150	250	3.30
<b>22R474</b>	470	1.87	0.31	140	250	2.90
<b>22R684</b>	680	2.70	0.25	120	250	2.20
<b>22R105</b>	1mH	3.80	0.17	150	200	1.80
<b>22R155</b>	1.5mH	5.40	0.13	160	200	1.65
<b>22R225</b>	2.2mH	11.00	0.11	150	200	1.35

## TYPICAL CORE CHARACTERISTICS

Inductance Temperature Coefficient	Resistance Temperature Coefficient	Curie Temperature TC	Saturation Flux BSAT
350ppm	3900ppm	190°C	325mT

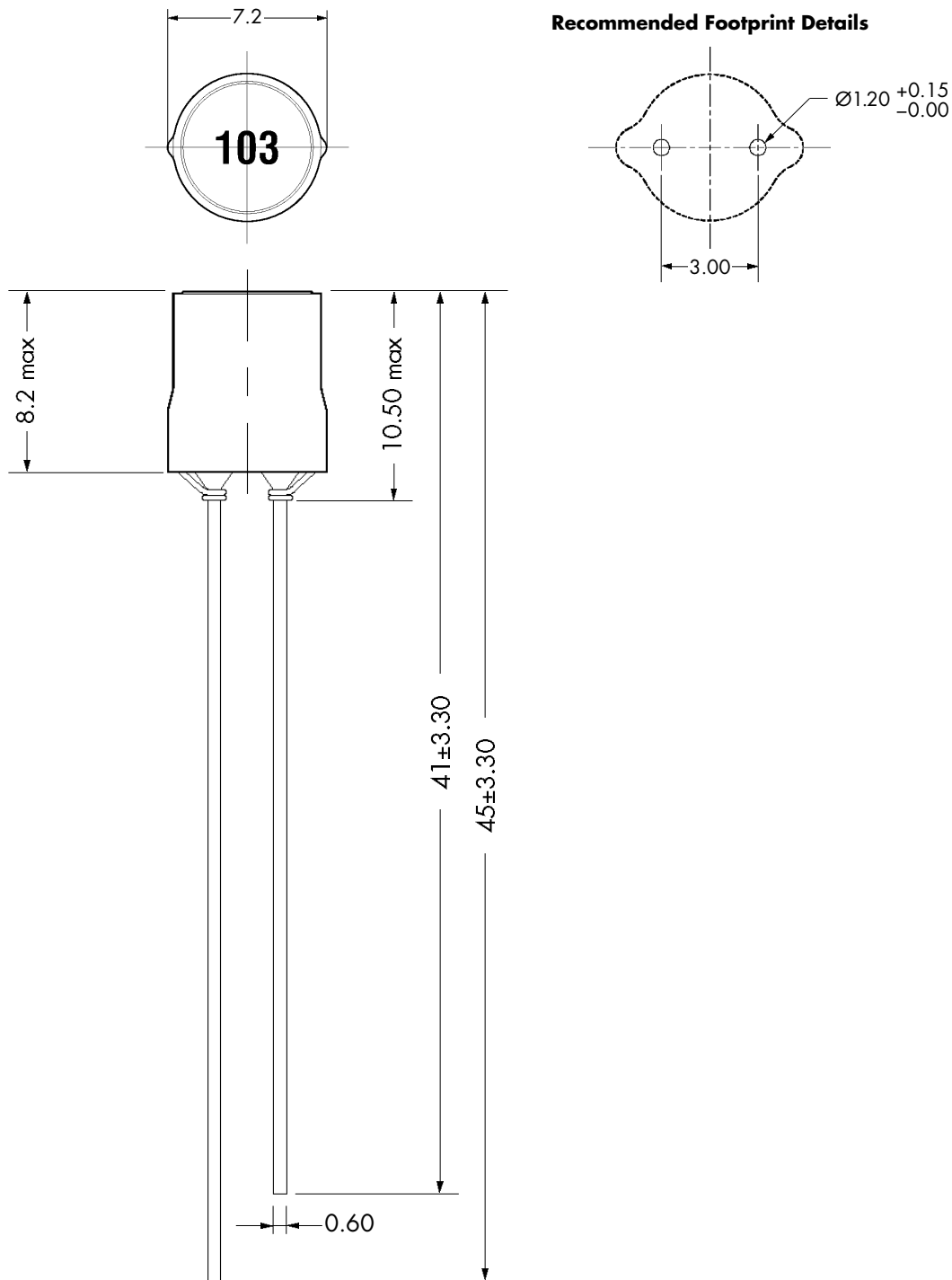
## ABSOLUTE MAXIMUM RATINGS

Operating free air temperature range	-25°C to 70°C
Storage temperature range	-50°C to 125°C

# 2200R SERIES

Miniature Radial Lead Inductors

## MECHANICAL DIMENSIONS



All dimensions in mm XX.X ± 0.50, XX.XX ± 0.25

C&D Technologies (NCL) Limited reserve the right to alter or improve the specification, internal design or manufacturing process at any time, without notice. Please check with your supplier or visit our web site to ensure that you have the current and complete specification for your product before use.

© C&D Technologies (NCL) Limited 2000

NMP 2200R.2

No part of this publication may be copied, transmitted or stored in a retrieval system or reproduced in any way including, but not limited to, photography, photocopy, magnetic or other recording means, without prior written permission from C&D Technologies (NCL) Limited.

Instructions for use are available from [www.dc-dc.com](http://www.dc-dc.com)

**C&D Technologies (NCL) Ltd**  
Tanners Drive, Blakelands North  
Milton Keynes MK14 5BU, England  
Tel: +44 (0)1908 615232  
Fax: +44 (0)1908 617545  
email: [info@cdtechno-ncl.com](mailto:info@cdtechno-ncl.com)

**www:** <http://www.dc-dc.com>

**C&D Technologies (NCL), Inc.**  
8917 Glenwood Avenue, Raleigh  
NC 27612, USA  
Tel: +1 (919) 571-9405  
Fax: +1 (919) 571-9262  
email: [info@us.cdtechno-ncl.com](mailto:info@us.cdtechno-ncl.com)

**C&D TECHNOLOGIES**  
Power Solutions