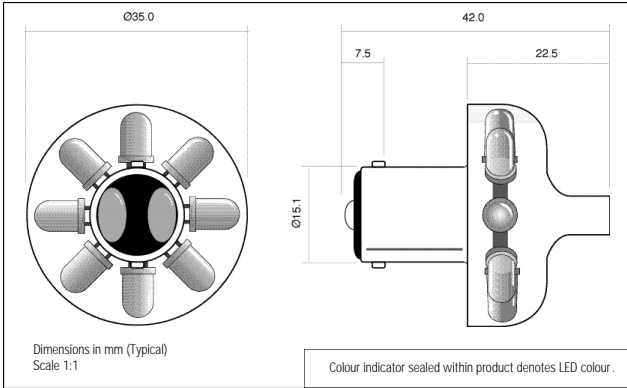


FILAMENT REPLACEMENT LEDs - MULTI-LED CLUSTER



- Direct replacement for BA15d
- Bi-polar
- Moulded housing for ease of handling and installation
- Side emitting product suitable for tower lights



234 SERIES

MLQ = 25



Ordering Information & Typical Technical Characteristics (Ta = 25°C)

Mean Time Between Failure = 100,000 Hours. Luminous intensity figures refer to a single unmodified discrete LED.

| PART NUMBER | COLOUR | LENS | VOLTAGE DC Vopr | CURRENT DC Iopr | LUMINOUS INTENSITY Iv@20mA | WAVE LENGTH p | VIEWING ANGLE | OPERATING TEMP Topr | STORAGE TEMP Tstg |
|-----------------------|--------|-------------|-----------------|-----------------|----------------------------|---------------|---------------|---------------------|-------------------|
| HIGH INTENSITY | | | | | | | | | |
| 234-501-22 | Red | Water Clear | 24 | 40 | 2750 | 660 | Wide | -40 ~ +85 | -40 ~ +85 |
| 234-521-22 | Yellow | | 24 | 40 | 4500 | 590 | | | |
| 234-532-22 | Green | | 24 | 40 | 6000 | 525 | | | |
| 234-930-22 | Blue | | 24 | 40 | 2000 | 470 | | | |
| 234-997-22 | White | | 24 | 40 | 3000 | • | | | |
| UNITS | | | Vdc | mA | mcd | nm | | °C | °C |

• = Typical emission colour: x=0.31, y=0.32. Colour temperature 8000K.
Intensities (Iv) and colour shades of white (x,y co-ordinates) may vary between LEDs within a batch.

