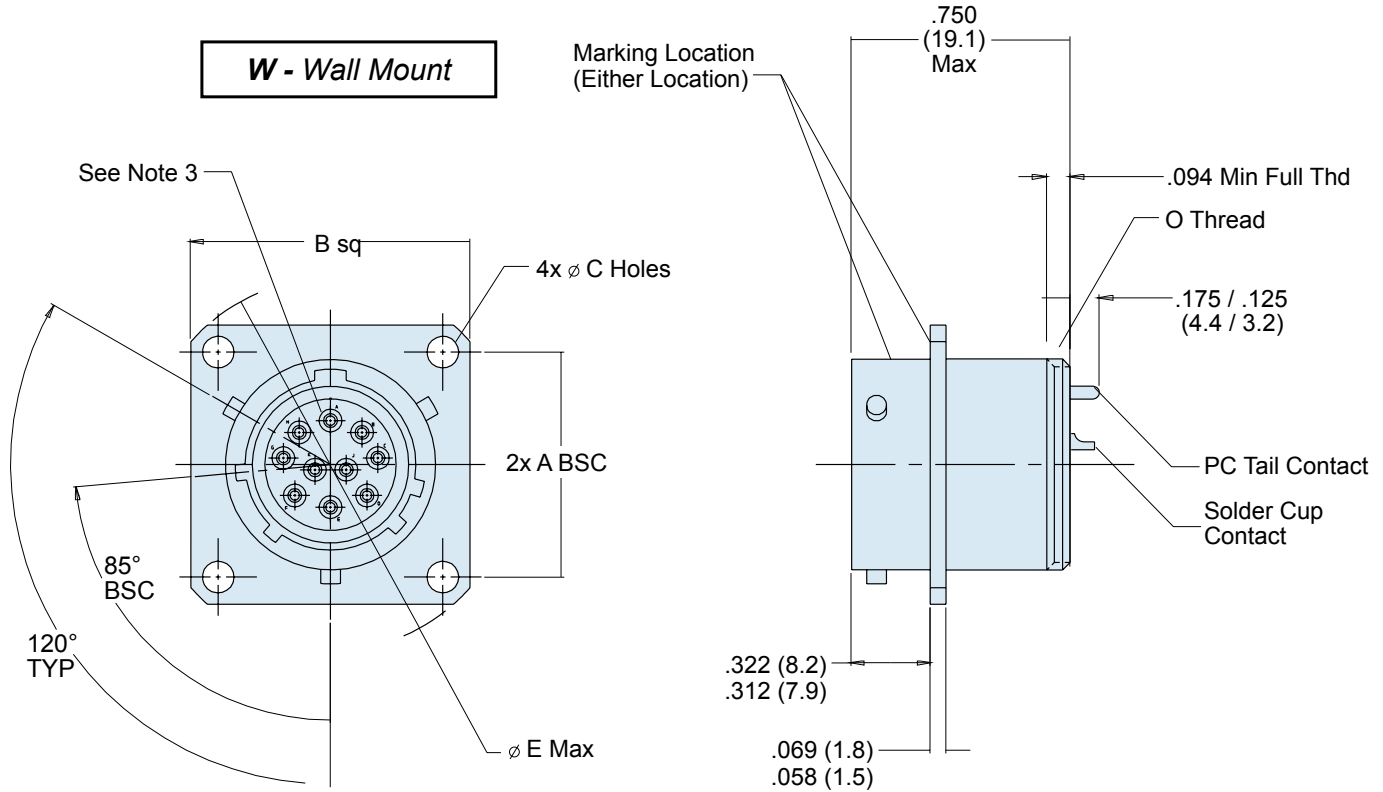
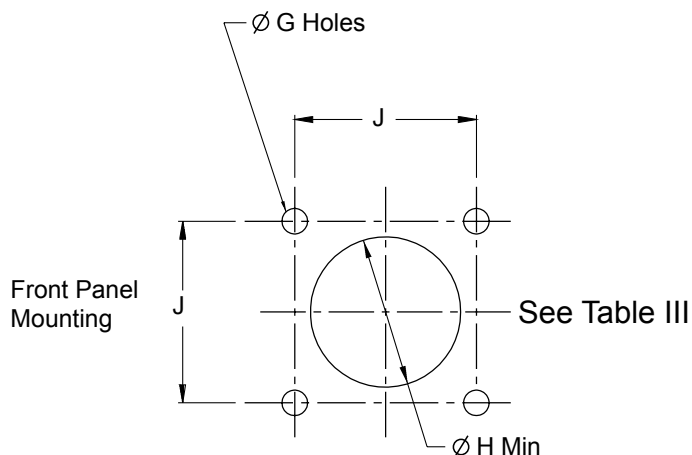


C



240-382W MIL-DTL-38999 Series II Filter Connector Wall Mount Receptacle



| TABLE II: CAPACITOR ARRAY CODE CAPACITANCE RANGE | | |
|--|-------------------|------------------|
| CLASS | PI - CIRCUIT (pF) | C - CIRCUIT (pF) |
| X* | 160,000 - 240,000 | 80,000 - 120,000 |
| Y* | 80,000 - 120,000 | 40,000 - 60,000 |
| Z* | 60,000 - 90,000 | 30,000 - 45,000 |
| A | 38,000 - 56,000 | 19,000 - 28,000 |
| B | 32,000 - 45,000 | 16,000 - 22,500 |
| C | 18,000 - 33,000 | 9,000 - 16,500 |
| D | 8,000 - 12,000 | 4,000 - 6,000 |
| E | 3,300 - 5,000 | 1,650 - 2,500 |
| F | 800 - 1,300 | 400 - 650 |
| G | 400 - 600 | 200 - 300 |

| TABLE I: CONNECTOR CLASS | | | |
|--------------------------|---------------|-----------------|--|
| SYM | CLASS | MATERIAL | FINISH DESCRIPTION |
| M | Environmental | Aluminum | Electroless Nickel |
| MT | Environmental | Aluminum | Ni-PTFE 1000 Hour Grey™ Nickel Fluorocarbon Polymer |
| NF | Environmental | Aluminum | Cadmium O.D. Over Electroless Nickel |
| P | Environmental | Stainless Steel | Electro-Deposited Nickel |
| ZN | Environmental | Aluminum | Zinc-Nickel Over Electroless Nickel |

* Reduced DWV – Please consult factory.

Consult Factory for Additional Filter Types, TVS Diodes, and other Custom Filter Connector Configurations.

| TABLE III: SQUARE FLANGE PANEL CUT-OUTS | | | |
|---|------------|---------|---------|
| Shell Size | Ø G Holes | Ø H Min | Ø J BSC |
| 8 | .133 (3.4) | .570 | .594 |
| | .123 (3.1) | (14.5) | (15.1) |
| 10 | .133 (3.4) | .690 | .719 |
| | .123 (3.1) | (17.5) | (18.3) |
| 12 | .133 (3.4) | .820 | .812 |
| | .123 (3.1) | (20.8) | (20.6) |
| 14 | .133 (3.4) | .940 | .906 |
| | .123 (3.1) | (23.9) | (23.0) |
| 16 | .133 (3.4) | 1.070 | .969 |
| | .123 (3.1) | (27.2) | (24.6) |
| 18 | .133 (3.4) | 1.190 | 1.062 |
| | .123 (3.1) | (30.2) | (27.0) |
| 20 | .133 (3.4) | 1.320 | 1.156 |
| | .123 (3.1) | (33.5) | (29.4) |
| 22 | .159 (4.0) | 1.440 | 1.250 |
| | .149 (3.8) | (36.6) | (31.8) |
| 24 | .159 (4.0) | 1.570 | 1.375 |
| | .149 (3.8) | (39.9) | (34.9) |

| TABLE IV: CONNECTOR DIMENSIONS | | | | | |
|--------------------------------|--------------|--------------|--------------------------|-------------------|--------------|
| Shell Size | A BSC | B SQ Max | Ø C Holes | D Threads | Ø E Max |
| 8 | 0.594 (15.1) | 0.828 (21.0) | .130 (3.3) .115 (2.9) | .5625-24 UNEF-2A | 1.078 (27.4) |
| | 0.719 (18.3) | 0.954 (24.2) | .130 (3.3) .115 (2.9) | .6875-24 UNEF-2A | 1.256 (31.9) |
| 12 | 0.812 (20.6) | 1.047 (26.6) | .130 (3.3) .115 (2.9) | .8125-20 UNEF-2A | 1.391 (35.3) |
| | 0.906 (23.0) | 1.141 (29.0) | .130 (3.3) .115 (2.9) | .9375-20 UNEF-2A | 1.516 (38.5) |
| 16 | 0.969 (24.6) | 1.234 (31.3) | .130 (3.3) .115 (2.9) | 1.0625-18 UNEF-2A | 1.641 (41.7) |
| | 1.062 (27.0) | 1.328 (33.7) | .130 (3.3) .115 (2.9) | 1.1875-18 UNEF-2A | 1.766 (44.9) |
| 20 | 1.156 (29.4) | 1.453 (36.9) | .130 (3.3) .115 (2.9) | 1.3125-18 UNEF-2A | 1.891 (48.0) |
| | 1.25 (31.8) | 1.578 (40.1) | .130 (3.3) .115 (2.9) | 1.4375-10 UNEF-2A | 2.016 (51.2) |
| 24 | 1.375 (34.9) | 1.703 (43.3) | .157 (4.0) .142 (3.6) | 1.5625-18 UNEF-2A | 2.204 (56.0) |