

# Micro-D Filter Connectors Vertical Printed Circuit Board



**Printed Circuit Board Micro-D Filter Connectors.** These vertical mount PCB connectors are ideal for flexible circuit or motherboard applications.

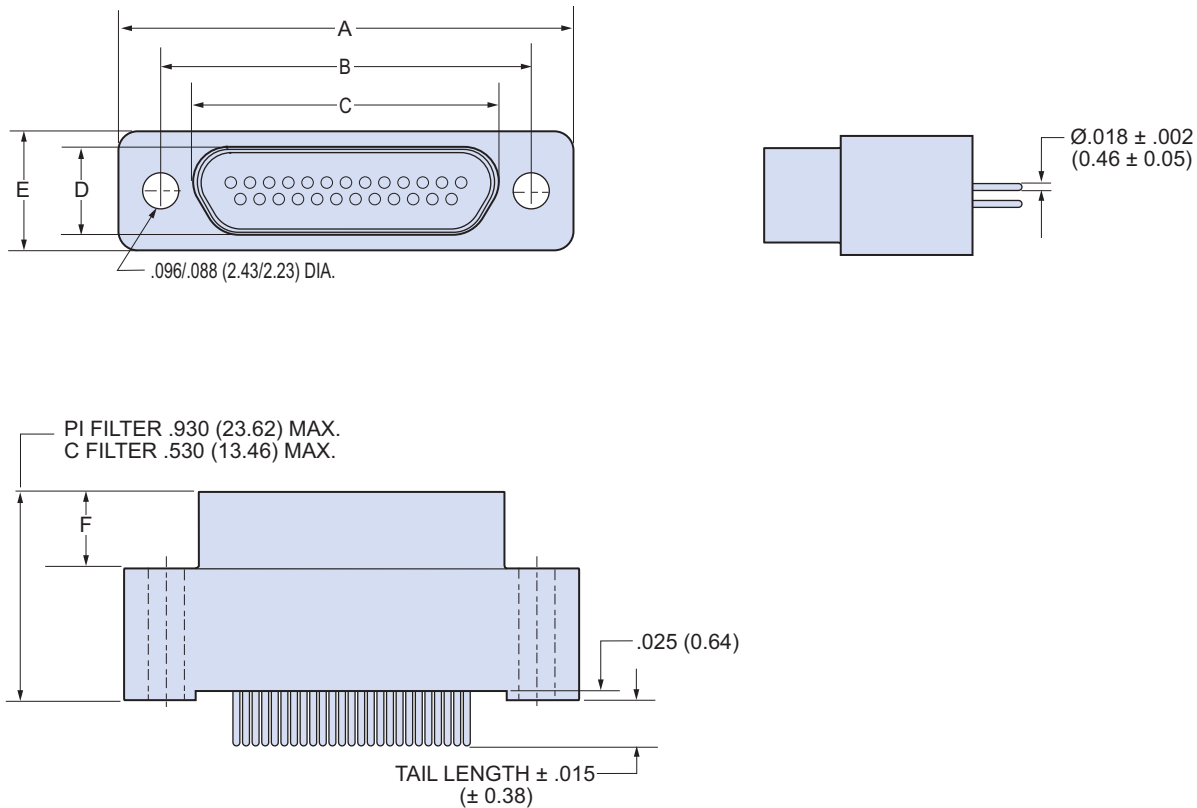
**Key Features include** gold plated TwistPin contacts, machined aluminum shells, and either Pi or C filter elements. These environmentally sealed connectors are designed to meet the requirements of MIL-DTL-83513.

**Integral Board Standoffs and Pre-Tinned Tails**—These connectors are solder dipped (63/37 SnPb) and feature a full complement of mounting hardware options.

## HOW TO ORDER MICRO-D FILTER VERTICAL MOUNT PCB CONNECTORS

| Series                    | Shell Finish      | Number of Contacts | Contact Type | Filter Type    | Filter Class | PC Tail Length            | Hardware Option  |
|---------------------------|-------------------|--------------------|--------------|----------------|--------------|---------------------------|--|
| 240-031                   | 1 – Cadmium       | 9                  | P<br>Pin     | C<br>C Filter  | A            | 1 – .110 Inches<br>(2.79) | <b>NN</b> – No Jackpost, No Threaded Insert<br><b>PN</b> – Extended Jackpost for .062" (1.6) PCB, No Threaded Insert<br><b>RN</b> – Extended Jackpost for .196" (5.0) PCB, No Threaded Insert<br><b>NU</b> – Threaded Insert Only, No Jackposts<br><b>PU</b> – Short Jackpost and Threaded Insert<br><br><b>Rear Panel Jackposts With Threaded Inserts</b><br><b>R6U</b> – 0.125" (3.2) Panel<br><b>R5U</b> – 0.094" (2.4) Panel<br><b>R4U</b> – 0.062" (1.6) Panel<br><b>R3U</b> – 0.047" (1.2) Panel<br><b>R2U</b> – 0.031" (0.8) Panel<br><br><b>JackscREW Options</b><br><b>M</b> – Hex Head Jackscrews<br><b>S</b> – Slot Head Jackscrews |
|                           | 2 – Nickel        | 15                 |              |                | B            |                           |  |
|                           | 4 – Black Anodize | 21                 | S<br>Socket  | P<br>Pi Filter | C            | 2 – .250 Inches<br>(6.35) |  |
|                           |                   | 25                 |              |                | D            |                           |  |
|                           | 5 – Gold          | 31                 |              |                | E            |                           |  |
|                           | 6 – Chem Film     | 37                 |              |                | F            |                           |  |
|                           |                   |                    |              | G              |              |                           |  |
| <b>Sample Part Number</b> |                   |                    |              |                |              |                           |  |
| 240-031                   | 2                 | – 25               | P            | C              | D            | 1                         | PN   |

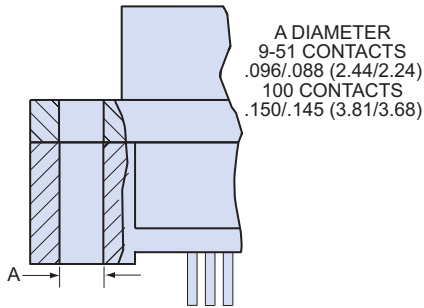
F



## MICRO-D FILTER VERTICAL PCB DIMENSIONS

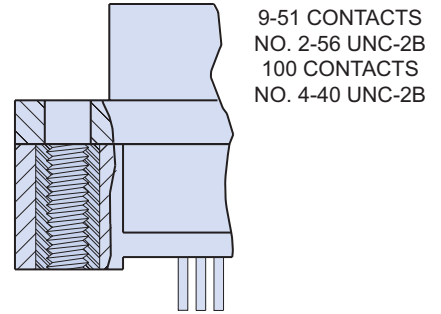
| Layout     | A Max. |       | B          |            | C Max. |       | D Max. |      | E Max. |      | F          |            |
|------------|--------|-------|------------|------------|--------|-------|--------|------|--------|------|------------|------------|
|            | In.    | mm.   | In. ± .003 | mm. ± 0.08 | In.    | mm.   | In.    | mm.  | In.    | mm.  | In. ± .004 | mm. ± 0.10 |
| <b>9P</b>  | .785   | 19.94 | .565       | 14.35      | .333   | 8.46  | .184   | 4.67 | .310   | 7.87 | .183       | 4.65       |
| <b>9S</b>  | .785   | 19.94 | .565       | 14.35      | .400   | 10.16 | .250   | 6.35 | .310   | 7.87 | .195       | 4.95       |
| <b>15P</b> | .935   | 23.75 | .715       | 18.16      | .483   | 12.27 | .184   | 4.67 | .310   | 7.87 | .183       | 4.65       |
| <b>15S</b> | .935   | 23.75 | .715       | 18.16      | .551   | 14.00 | .250   | 6.35 | .310   | 7.87 | .195       | 4.95       |
| <b>21P</b> | 1.085  | 27.56 | .865       | 21.97      | .633   | 16.08 | .184   | 4.67 | .310   | 7.87 | .183       | 4.65       |
| <b>21S</b> | 1.085  | 27.56 | .865       | 21.97      | .701   | 17.81 | .250   | 6.35 | .310   | 7.87 | .195       | 4.95       |
| <b>25P</b> | 1.185  | 30.01 | .965       | 24.51      | .733   | 18.62 | .184   | 4.67 | .310   | 7.87 | .183       | 4.65       |
| <b>25S</b> | 1.185  | 30.01 | .965       | 24.51      | .801   | 20.35 | .250   | 6.35 | .310   | 7.87 | .195       | 4.95       |
| <b>31P</b> | 1.335  | 33.91 | 1.115      | 28.32      | .883   | 22.43 | .184   | 4.67 | .310   | 7.87 | .183       | 4.65       |
| <b>31S</b> | 1.335  | 33.91 | 1.115      | 28.32      | .951   | 24.16 | .250   | 6.35 | .310   | 7.87 | .195       | 4.95       |
| <b>37P</b> | 1.485  | 37.72 | 1.265      | 32.13      | 1.033  | 26.24 | .184   | 4.67 | .310   | 7.87 | .183       | 4.65       |
| <b>37S</b> | 1.485  | 37.72 | 1.265      | 32.13      | 1.101  | 27.96 | .250   | 6.35 | .310   | 7.87 | .195       | 4.95       |

MICRO-D FILTER VERTICAL PCB HARDWARE OPTIONS



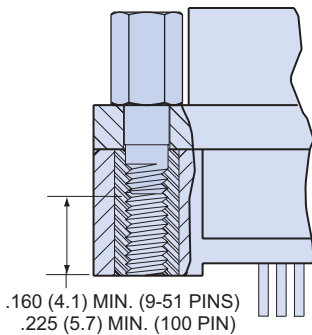
**NN Style**

Connector Supplied Without Hardware  
Thru-Hole, No Hardware



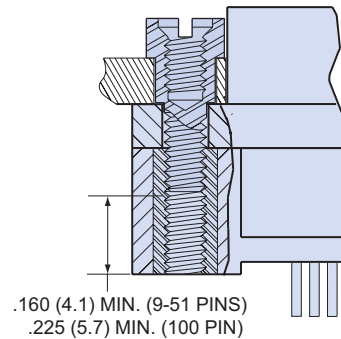
**NU Style**

Connector Supplied With Threaded Inserts



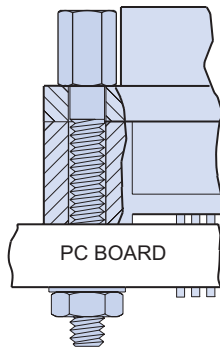
**PU Style**

Jackpost with Threaded Insert

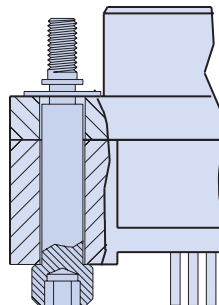


**RU Style**

Rear Panel Jackpost with Threaded Insert

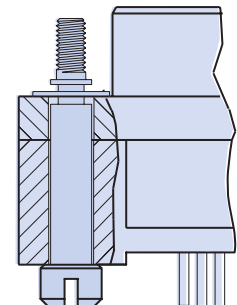


**Extended Jackpost**  
**PN Style for .062" PCB**  
**RN Style for .196" PCB**



**M Style**

Hex Head Jackscrew with E-Ring



**S Style**

Slot Head Jackscrew with E-Ring

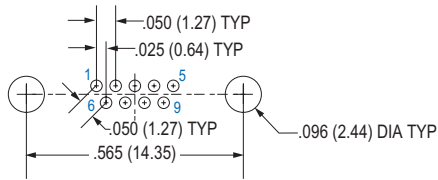
F

## MICRO-D FILTER VERTICAL PCB LAYOUTS— PIN CONNECTOR SHOWN

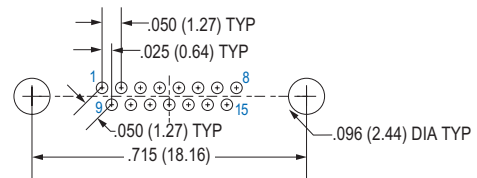
PC Tail Diameter  $.018 \pm .002$  ( $0.46 \pm 0.05$ )

Contact numbers shown are for pin connectors. Reverse for socket.

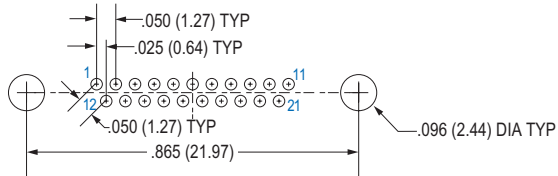
Patterns shown are for connector mounting side of PC board.



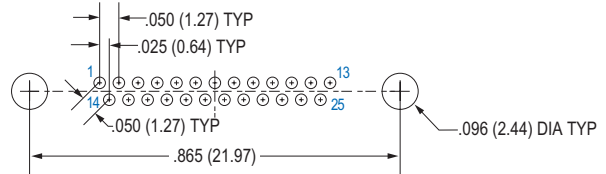
**9 Contacts**



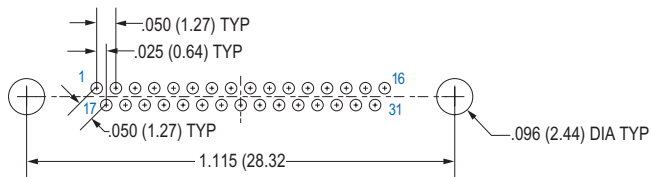
**15 Contacts**



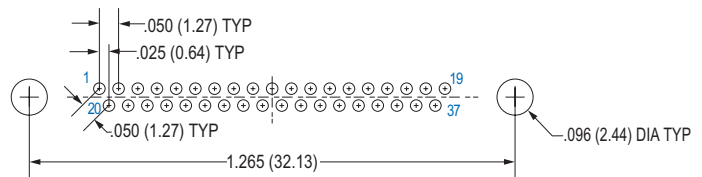
**21 Contacts**



**25 Contacts**



**31 Contacts**



**37 Contacts**