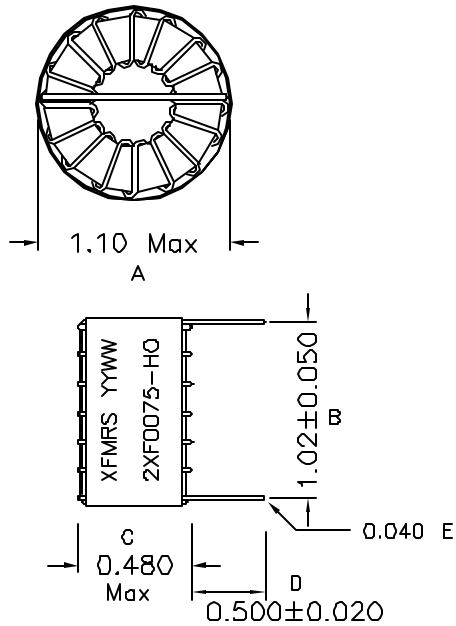


1. Mechanical Dimensions:



WINDING DETAIL:

STRIP AND TIN TO MOUNT PLAIN
VARNISH REQUIRED

2. Schematic:



3. Electrical Specifications: @25°C

OCL: 75uH ± 15% @ 10KHz 0.1V

55uH Typ @ 10KHz 0.1V 4.0Adc

DC Resistance: 0.035 Ohms Maximum

Q: 50 Min @ 10KHz 0.1V

Notes:

1. Solderability: Leads shall meet MIL-STD-202G, Method 208H for solderability.
2. Flammability: UL94V-0
3. ASTM oxygen index: > 28%
4. Insulation System: Class F 155°C, UL file E151558
5. Operating Temperature Range: All listed parameters are to be within tolerance from -40°C to +85°C
6. Storage Temperature Range: -55°C to +125°C
7. Aqueous wash compatible
8. Electrical and mechanical specifications 100% tested
9. RoHS Compliant Component

DOC. REV: A/2

PROPRIETARY Document is the property of XFMRS Group & is not allowed to be duplicated without authorization.

XFMRS Inc www.XFMRS.com		Title: HORIZONTAL OPEN TOROID	
UNLESS OTHERWISE SPECIFIED TOLERANCES: .xxx ±0.010 Dimensions in INCH	P/N: 2XF0075-H0		REV. A
	DWN.	Juan Mao	Dec-17-07
	CHK.	YK Liao	Dec-17-07
SHEET 1 OF 1	APP.	MS	Dec-17-07