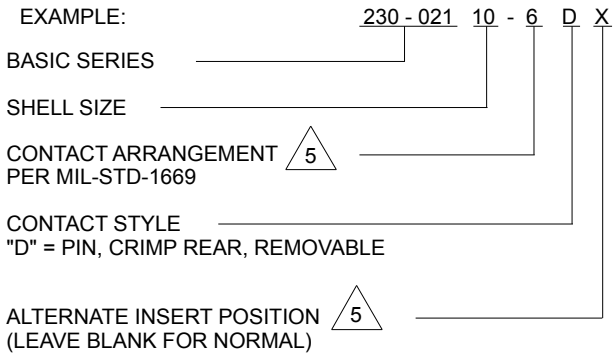
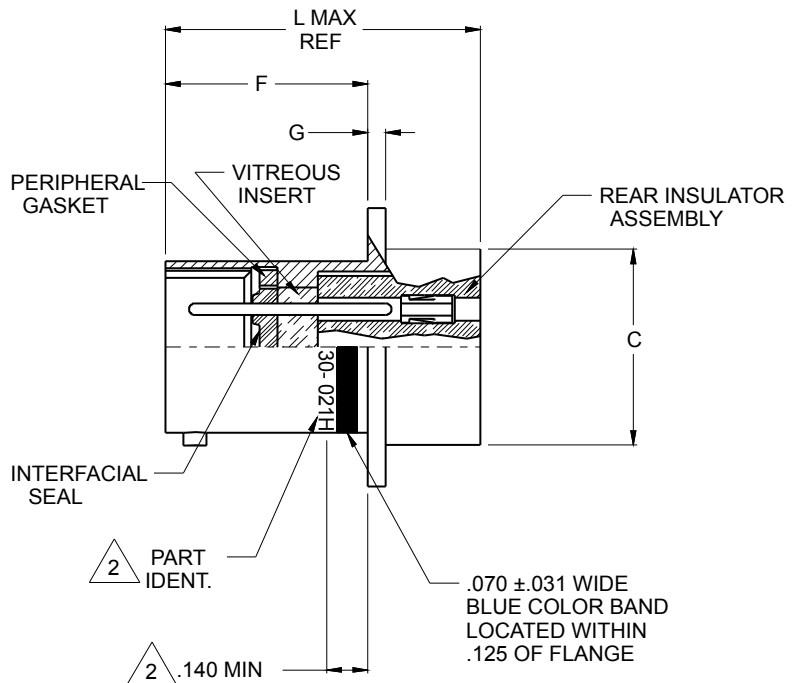
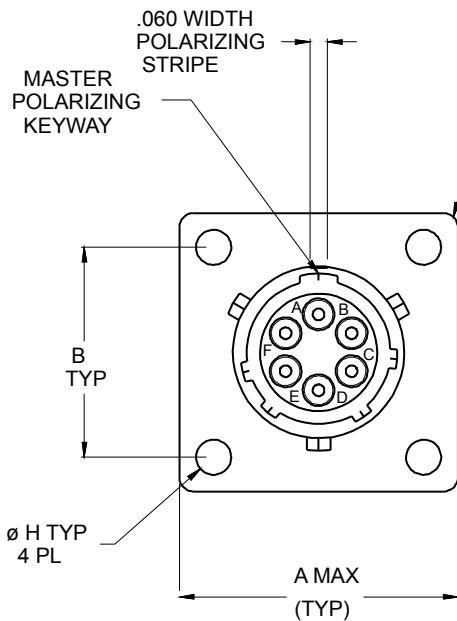


HOW TO ORDER:



| TABLE I: LAYOUTS | |
|------------------|--------------------------------|
| SHELL SIZE | AVAILABLE CONTACT ARRANGEMENTS |
| 8 | -2, -3, -4, -33, -98 |
| 10 | -6, -98 |
| 12 | -3, -8, -10 |
| 14 | -5, -12, -15, -18, -19 |
| 16 | -8, -23, -99 |
| 18 | -11, -30, -32 |
| 20 | -16, -24, -27, -39, -41 |
| 22 | -21, -32, -34, -41, -55 |
| 24 | -31, -61 |



230-021
Hermetic Receptacle, Panel Mount, Crimp Contacts,
MIL-C-26482 Series II, MS3477 Type



MIL-C-24682

| TABLE II: CONNECTOR DIMENSIONS | | | | |
|--------------------------------|--------------|--------------|-------------------------|-----------------------|
| SHELL SIZE | A | B | C ø MOUNTING LOCATOR | F |
| 8 | .828 (21.0) | .594 (15.1) | .563/.557 (14.3/14.1) | .704/.680 (17.9/17.3) |
| 10 | .954 (24.2) | .719 (18.3) | .673/.667 (17.1/16.9) | .704/.680 (17.9/17.3) |
| 12 | 1.047 (26.6) | .812 (20.6) | .782/.776 (19.9/19.7) | .704/.680 (17.9/17.3) |
| 14 | 1.141 (29.0) | .906 (23.0) | .907/.901 (23.0/22.9) | .704/.680 (17.9/17.3) |
| 16 | 1.234 (31.3) | .969 (24.6) | 1.032/1.026 (26.2/26.1) | .704/.680 (17.9/17.3) |
| 18 | 1.328 (33.7) | 1.062 (27.0) | 1.157/1.151 (29.4/29.2) | .704/.680 (17.9/17.3) |
| 20 | 1.453 (36.9) | 1.156 (29.4) | 1.251/1.245 (31.8/31.6) | .756/.739 (19.2/18.8) |
| 22 | 1.578 (40.1) | 1.250 (31.8) | 1.376/1.371 (35.0/34.8) | .756/.739 (19.2/18.8) |
| 24 | 1.703 (43.3) | 1.375 (34.9) | 1.501/1.495 (38.1/38.0) | .756/.739 (19.2/18.8) |

| TABLE II (CONTINUED): CONNECTOR DIMENSIONS | | | | | |
|--|---------------------|------------|--------------|-----------------|-------------------|
| SHELL SIZE | G | H | L | PANEL CUT-OUT ø | MAX. WEIGHT (LBS) |
| 8 | .078/.046 (2.0/1.2) | .120 (3.0) | 1.078 (27.4) | .570 (14.5) | TBD |
| 10 | .078/.046 (2.0/1.2) | .120 (3.0) | 1.078 (27.4) | .680 (17.3) | TBD |
| 12 | .078/.046 (2.0/1.2) | .120 (3.0) | 1.078 (27.4) | .789 (20.0) | TBD |
| 14 | .078/.046 (2.0/1.2) | .120 (3.0) | 1.078 (27.4) | .914 (23.2) | TBD |
| 16 | .078/.046 (2.0/1.2) | .120 (3.0) | 1.078 (27.4) | 1.039 (26.4) | TBD |
| 18 | .078/.046 (2.0/1.2) | .120 (3.0) | 1.078 (27.4) | 1.164 (29.6) | TBD |
| 20 | .110/.078 (2.8/2.0) | .120 (3.0) | 1.140 (29.0) | 1.258 (32.0) | TBD |
| 22 | .110/.078 (2.8/2.0) | .120 (3.0) | 1.140 (29.0) | 1.383 (35.1) | TBD |
| 24 | .110/.078 (2.8/2.0) | .147 (3.7) | 1.140 (29.0) | 1.508 (38.3) | TBD |

NOTES:

1. MATERIAL/FINISH:

SHELL - C1215 CRS / TIN PLATED
 CONTACTS - 52 NICKEL ALLOY / TIN PLATED
 BAYONETS: STAINLESS STEEL / PASSIVATED
 SEALS: SILICONE ELASTOMER
 INSULATION: GLASS, NOIBN
 REAR INSULATOR: RIGID DIELECTRIC

2 ASSEMBLY TO BE IDENTIFIED WITH GLENAIR'S NAME, PART NUMBER AND DATE CODE SPACE PERMITTING.

3. PERFORMANCE:

HERMETICITY: <1 X 10⁻⁷ SCCHE/SEC @ 1 ATMOSPHERE DIFFERENTIAL
 DIELECTRIC WITHSTANDING VOLTAGE: CONSULT FACTORY OR MIL-STD-1669
 INSULATION RESISTANCE: 5000 MEGOHMS MIN @ 500VDC

4. GLENAIR 230-021 WILL MATE WITH ANY QPL MIL-C-26482 SERIES 2 BAYONET COUPLING PLUG OF SAME SIZE AND INSERT POLARIZATION.

5 SEE TABLE I ON SHEET 2 FOR AVAILABLE ARRANGEMENT OPTIONS.

6. CONNECTORS ARE SUPPLIED WITH APPLICABLE CRIMP CONTACTS PER MIL-C-39029/15-*** AND MS3160-** INSERT & REMOVAL TOOL