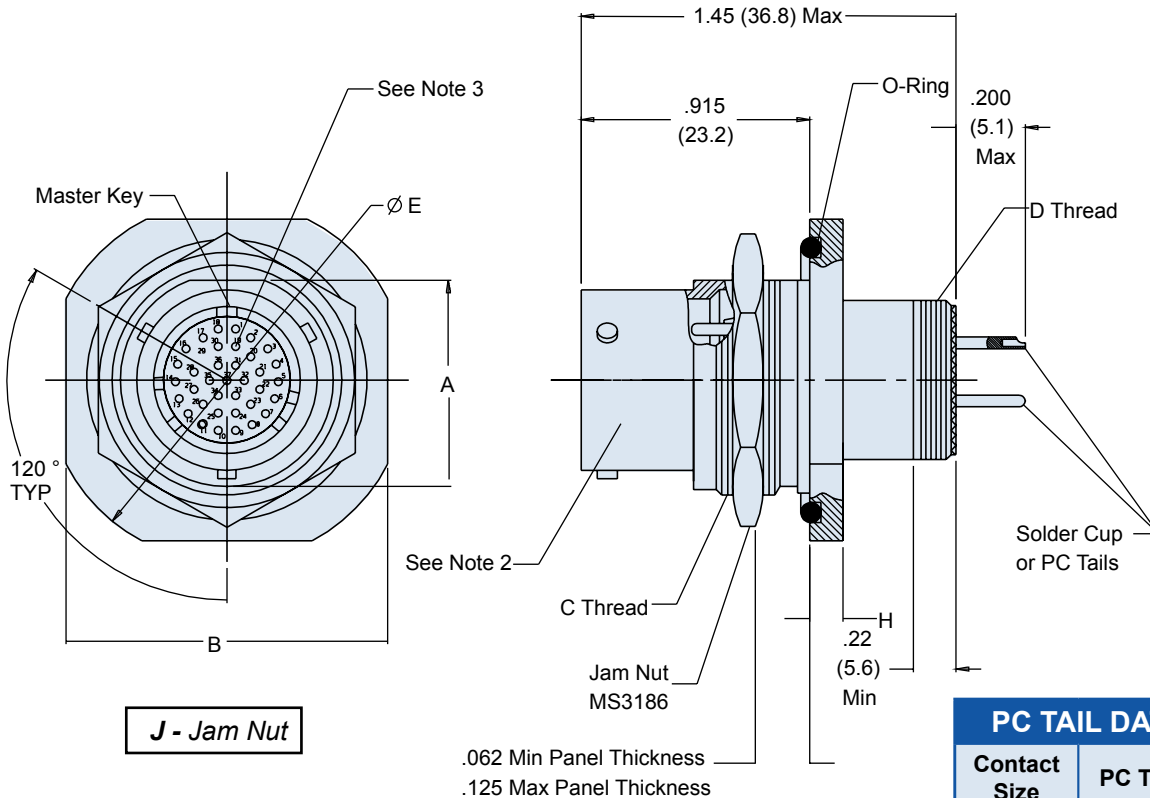
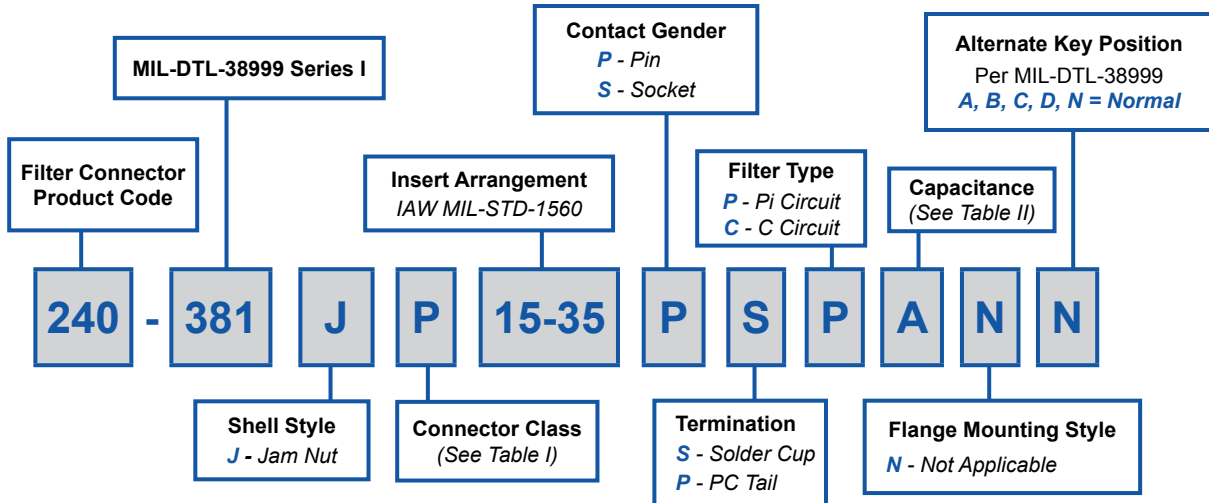


240-381J
MIL-DTL-38999 Series I Type Filter Connector
Jam Nut Receptacle

B



PC TAIL DATA	
Contact Size	PC Tail Ø
22D	.020
	.018
20	.024
	.029
16	.038
	.042

240-381J MIL-DTL-38999 Series I Type Filter Connector Jam Nut Receptacle

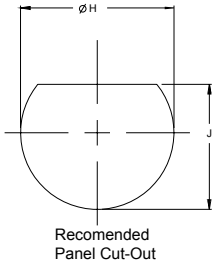


MIL-DTL-38999
Connectors

B

**TABLE II: CAPACITOR ARRAY CODE
CAPACITANCE RANGE**

CLASS	PI - CIRCUIT (pF)	C - CIRCUIT (pF)
X*	160,000 - 240,000	80,000 - 120,000
Y*	80,000 - 120,000	40,000 - 60,000
Z*	60,000 - 90,000	30,000 - 45,000
A	38,000 - 56,000	19,000 - 28,000
B	32,000 - 45,000	16,000 - 22,500
C	18,000 - 33,000	9,000 - 16,500
D	8,000 - 12,000	4,000 - 6,000
E	3,300 - 5,000	1,650 - 2,500
F	800 - 1,300	400 - 650
G	400 - 600	200 - 300



* Reduced DWV – Please consult factory.

**MIL-DTL-38999 Series I
Jam Nut Panel Cutout**

SHELL SIZE CODE	SHELL SIZE	Ø H	J
A	09	.710 (18.0)	.670 (17.0)
		.700 (17.8)	.660 (16.8)
B	11	.835 (21.2)	.771 (19.6)
		.825 (21.0)	.761 (19.3)
C	13	1.020 (25.9)	.955 (24.3)
		1.010 (25.7)	.945 (24.0)
D	15	1.145 (29.1)	1.085 (27.6)
		1.135 (28.8)	1.075 (27.3)
E	17	1.270 (32.3)	1.210 (30.7)
		1.260 (32.0)	1.200 (30.5)
F	19	1.395 (35.4)	1.335 (33.9)
		1.385 (35.2)	1.325 (33.7)
G	21	1.520 (38.6)	1.460 (37.1)
		1.510 (38.4)	1.450 (36.8)
H	23	1.645 (41.8)	1.585 (40.3)
		1.635 (41.5)	1.575 (40.0)
J	25	1.770 (45.0)	1.710 (43.4)
		1.760 (44.7)	1.700 (43.2)

TABLE I: CONNECTOR CLASS

SYM	CLASS	MATERIAL	FINISH DESCRIPTION
M	Environmental	Aluminum	Electroless Nickel
MT	Environmental	Aluminum	Ni-PTFE 1000 Hour Grey™ Nickel Fluorocarbon Polymer
NF	Environmental	Aluminum	Cadmium O.D. Over Electroless Nickel
P	Environmental	Stainless Steel	Electro-Deposited Nickel
ZN	Environmental	Aluminum	Zinc-Nickel Over Electroless Nickel

DIMENSIONS

SHELL SIZE	A	B	C THREAD CLASS 2A UNEF PLATED	D THREAD CLASS 2A UNEF PLATED	E DIA	F	G DIA	H
9	.855 (21.7)	1.078 (27.4)	.6875-24	.4375-28	1.188 (30.2)	.670 (17.0)	.709 (18.0)	.120 (3.0)
	.645 (16.4)	1.046 (26.6)				.661 (16.8)	.700 (17.8)	.100 (2.5)
11	.755 (19.2)	1.266 (32.2)	.8125-20	.5625-24	1.375 (34.9)	.771 (19.6)	.834 (21.2)	.120 (3.0)
	.745 (18.9)	1.234 (31.3)				.762 (19.4)	.825 (21.0)	.100 (2.5)
13	.942 (23.9)	1.391 (35.3)	1.0000-20	.8875-24	1.500 (38.1)	.955 (24.3)	1.019 (25.9)	.120 (3.0)
	.932 (23.7)	1.359 (34.5)				.946 (24.0)	1.010 (25.7)	.100 (2.5)
15	1.066 (27.1)	1.516 (38.5)	1.1250-18	.8125-20	1.625 (41.3)	1.085 (27.6)	1.144 (29.1)	.120 (3.0)
	1.056 (26.8)	1.484 (37.7)				1.076 (27.3)	1.135 (28.8)	.100 (2.5)
17	1.191 (30.3)	1.641 (41.7)	1.2500-18	.9375-20	1.750 (44.5)	1.210 (30.7)	1.269 (32.2)	.120 (3.0)
	1.181 (30.0)	1.609 (40.9)				1.201 (30.5)	1.260 (32.0)	.100 (2.5)
19	1.316 (33.4)	1.828 (46.4)	1.3750-18	1.0625-18	1.938 (49.2)	1.335 (33.9)	1.394 (35.4)	.151 (3.8)
	1.306 (33.2)	1.796 (45.6)				1.326 (33.7)	1.385 (35.2)	.130 (3.3)
21	1.441 (36.6)	1.954 (49.6)	1.5000-18	1.1875-18	2.062 (52.4)	1.460 (37.1)	1.519 (38.6)	.151 (3.8)
	1.431 (36.3)	1.922 (48.8)				1.451 (36.9)	1.510 (38.4)	.130 (3.3)
23	1.566 (39.8)	2.078 (52.8)	1.6250-18	1.3125-18	2.188 (55.6)	1.585 (40.3)	1.644 (41.8)	.151 (3.8)
	1.556 (39.5)	2.046 (52.0)				1.578 (40.1)	1.635 (41.5)	.130 (3.3)
25	1.691 (43.0)	2.204 (56.0)	1.7500-18	1.4375-18	2.312 (58.7)	1.710 (43.4)	1.769 (44.9)	.151 (3.8)
	1.681 (42.7)	2.172 (55.2)				1.701 (43.2)	1.760 (44.7)	.130 (3.3)