

Silicon NPN Power Transistors

2SC3025

DESCRIPTION

- With TO-3 package
- High breakdown voltage

APPLICATIONS

- High voltage power switching character display horizontal deflection output

PINNING(see Fig.2)

PIN	DESCRIPTION
1	Base
2	Emitter
3	Collector

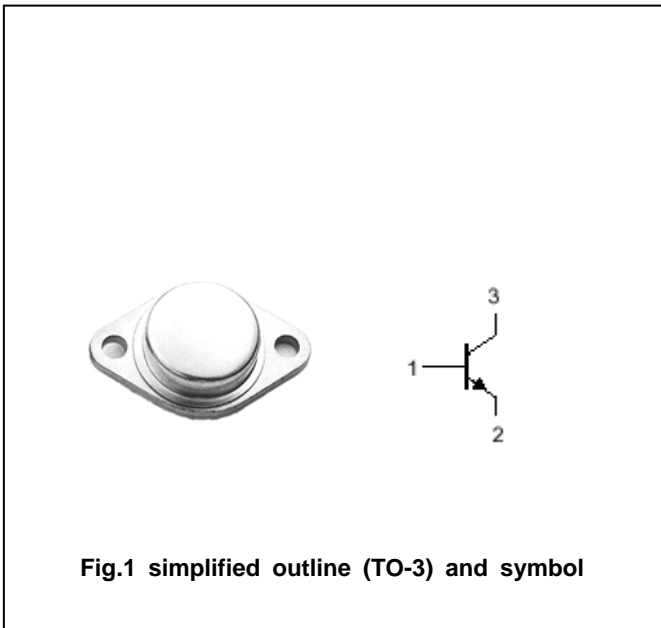


Fig.1 simplified outline (TO-3) and symbol

ABSOLUTE MAXIMUM RATINGS(T_a=25°C)

SYMBOL	PARAMETER	CONDITIONS	VALUE	UNIT
V _{CBO}	Collector-base voltage	Open emitter	1500	V
V _{CEO}	Collector-emitter voltage	Open base	800	V
V _{EBO}	Emitter-base voltage	Open collector	6	V
I _C	Collector current		5	A
I _{CP}	Collector current-peak		6	A
P _C	Collector power dissipation	T _C =25°C	50	W
T _j	Junction temperature		150	°C
T _{stg}	Storage temperature		-45~150	°C

Silicon NPN Power Transistors

2SC3025

CHARACTERISTICS

T_j=25°C unless otherwise specified

SYMBOL	PARAMETER	CONDITIONS	MIN	TYP.	MAX	UNIT
V _{(BR)CEO}	Collector-emitter breakdown voltage	I _C =10mA ; R _{BE} =∞	800			V
V _{(BR)EBO}	Emitter-base breakdown voltage	I _E =10mA; I _C =0	6			V
V _{CE(sat)}	Collector-emitter saturation voltage	I _C =5A; I _B =1.25A			2.0	V
V _{BE(sat)}	Base-emitter saturation voltage	I _C =5A; I _B =1.25A			1.5	V
I _{CES}	Collector cut-off current	V _{CE} =1500V; R _{BE} =∞			0.5	mA

Switching times

t _s	Storage time	I _C =5A; I _{B1} =1A; I _{B2} =-2.5A		4.0		μ s
t _f	Fall time				0.5	μ s

PACKAGE OUTLINE

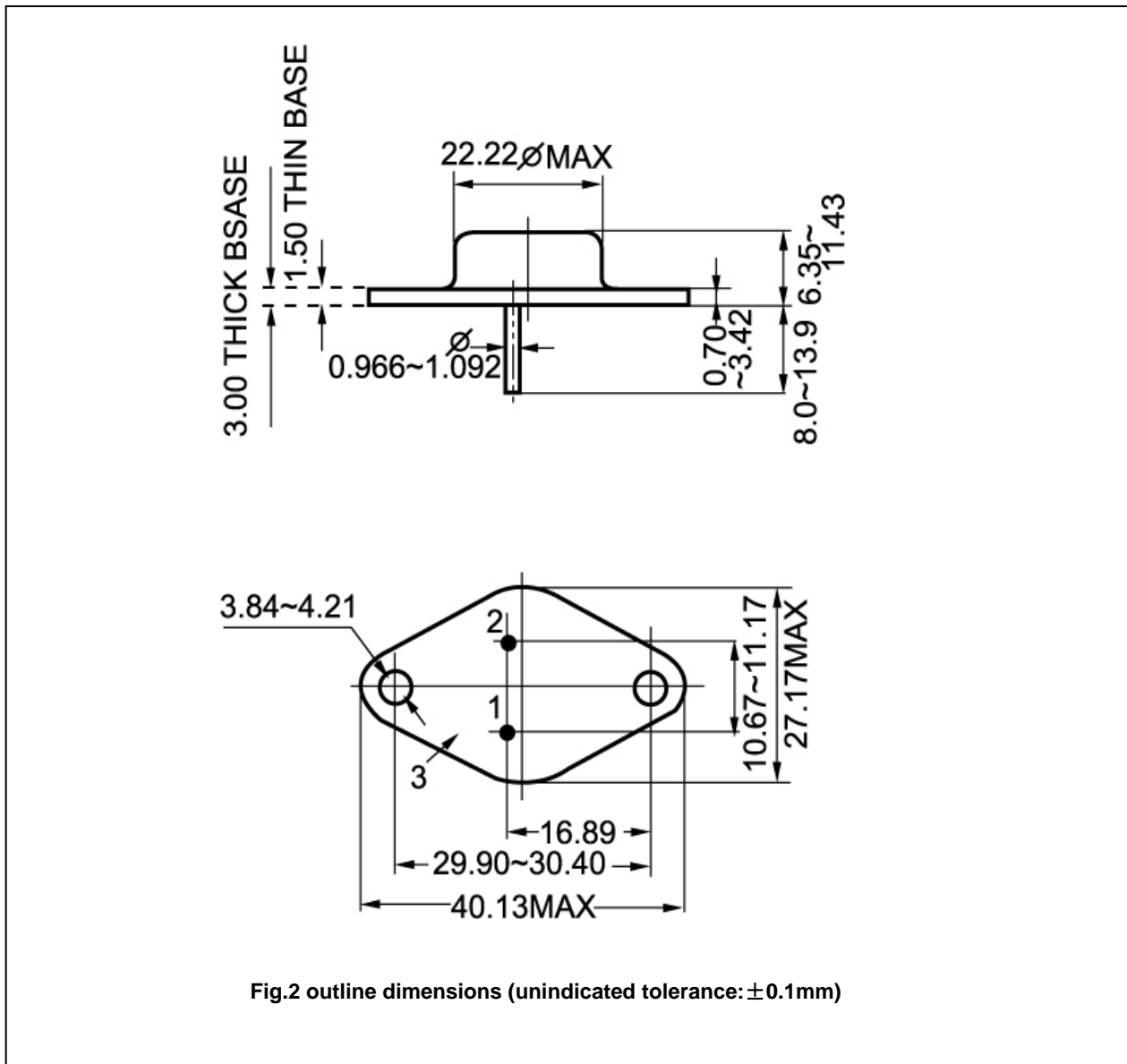


Fig.2 outline dimensions (unindicated tolerance: ± 0.1 mm)