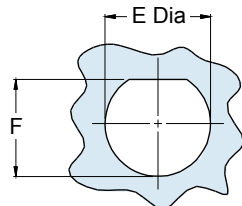
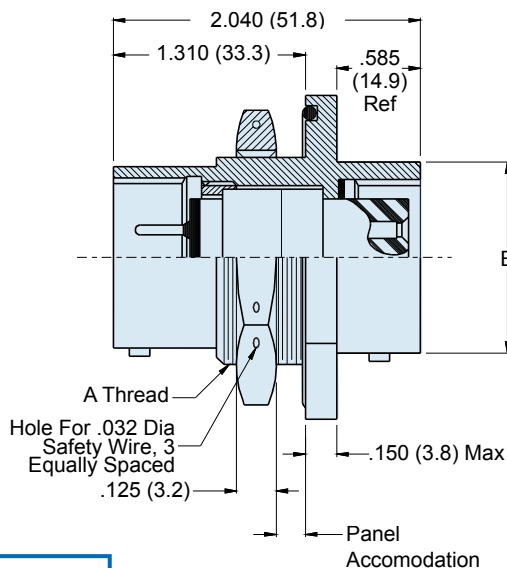




231-103-H7 Jam Nut Mount Hermetic Bulkhead Feed-Thru MIL-DTL-38999 Series I Type



Recommended Panel Cut-Out

TABLE I: CONNECTOR DIMENSIONS

| SHELL SIZE | A THREAD CLASS 2A | B DIA MAX | C HEX | D FLATS | E DIA ±.005(0.1) | F +.000-.005 (0-0.1) |
|------------|-------------------|-------------|-------------|-------------|------------------|----------------------|
| 09 | .688-24 UNEF | .573(14.6) | .875(22.2) | 1.062(27.0) | .703(17.9) | .669(17.0) |
| 11 | 0.812-20 UNEF | .701(17.8) | 1.000(25.4) | 1.250(31.8) | .827(21.0) | .769(19.5) |
| 13 | 1.000-20 UNEF | .851(21.6) | 1.188(30.2) | 1.375(34.9) | 1.015(25.8) | .955(24.3) |
| 15 | 1.125-18 UNEF | .976(24.8) | 1.312(33.3) | 1.500(38.1) | 1.140(29.0) | 1.084(27.5) |
| 17 | 1.250-18 UNEF | 1.101(28.0) | 1.438(36.5) | 1.625(41.3) | 1.265(32.1) | 1.208(30.7) |
| 19 | 1.375-18 UNEF | 1.208(30.7) | 1.562(39.7) | 1.812(46.0) | 1.390(35.3) | 1.333(33.9) |
| 21 | 1.500-18 UNEF | 1.333(33.9) | 1.688(42.9) | 1.938(49.2) | 1.515(38.5) | 1.459(37.1) |
| 23 | 1.625-18 UNEF | 1.458(37.0) | 1.812(46.0) | 2.062(52.4) | 1.640(41.7) | 1.580(40.1) |
| 25 | 1.750-18 UNS | 1.583(40.2) | 2.000(50.8) | 2.188(55.6) | 1.765(44.8) | 1.709(43.4) |



Insert Arrangement per MIL-DTL-38999, Series I MIL-STD-1560

APPLICATION NOTES

- Power to a given contact on one end will result in power to contact directly opposite, regardless of identification letter.
- Hermeticity = less than 1×10^{-4} cc/sec at one atmosphere. Not for use in liquid atmosphere.
- Material/finish:
Shell, nut – CRES/passivated, carbon steel/fused tin or CRES/nickel per QQ-N-290.
- Contacts – Gold Plated. Pin: alloy 52; Skt.: copper alloy
Insulator – fused vitreous glass/N.A.
Seals – fluorosilicone rubber/N.A.
- Metric dimensions (mm) are indicated in parentheses.