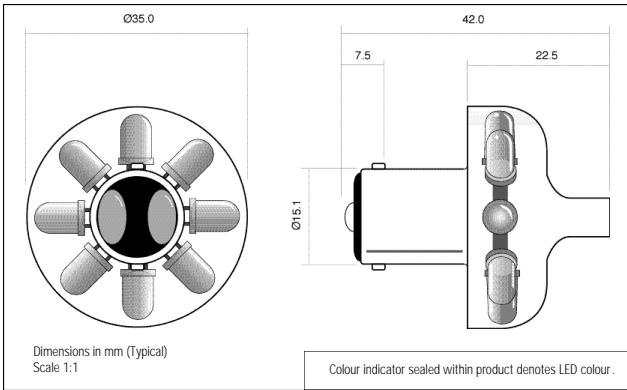


**FILAMENT REPLACEMENT LEDs - MULTI-LED CLUSTER**



- Direct replacement for BA15d
- Bi-polar
- Moulded housing for ease of handling and installation
- Side emitting product suitable for tower lights



**234 SERIES**

**MLQ = 25**



**Ordering Information & Typical Technical Characteristics (Ta = 25°C)**

Mean Time Between Failure = 100,000 Hours. Luminous intensity figures refer to a single unmodified discrete LED.

PART NUMBER	COLOUR	LENS	VOLTAGE DC Vopr	CURRENT DC Iopr	LUMINOUS INTENSITY Iv@20mA	WAVE LENGTH p	VIEWING ANGLE	OPERATING TEMP Topr	STORAGE TEMP Tstg
<b>HIGH INTENSITY</b>									
234-501-22	Red	Water Clear	24	40	2750	660	Wide	-40 ~ +85	-40 ~ +85
234-521-22	Yellow		24	40	4500	590			
234-532-22	Green		24	40	6000	525			
234-930-22	Blue		24	40	2000	470			
234-997-22	White		24	40	3000	•			
<b>UNITS</b>			<b>Vdc</b>	<b>mA</b>	<b>mcd</b>	<b>nm</b>		<b>°C</b>	<b>°C</b>

• = Typical emission colour: x=0.31, y=0.32. Colour temperature 8000K.  
 Intensities (Iv) and colour shades of white (x,y co-ordinates) may vary between LEDs within a batch.

