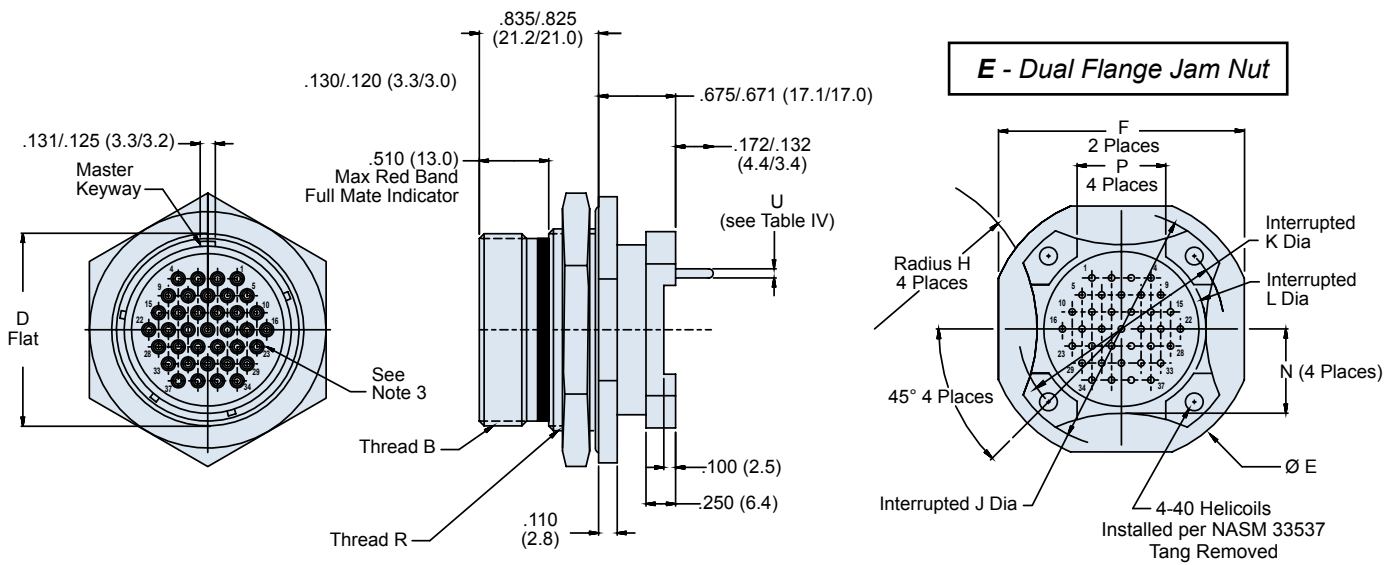
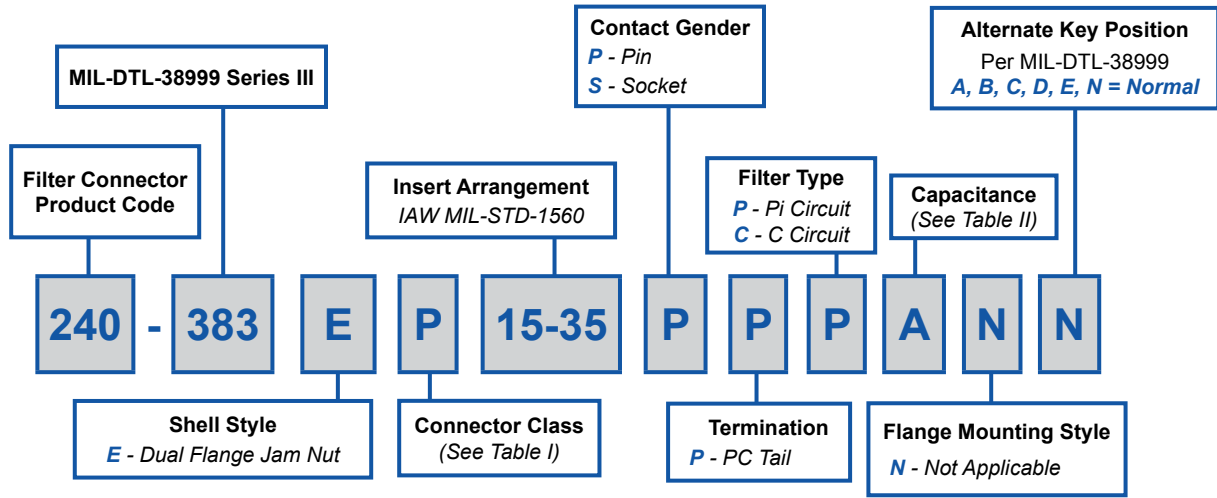


240-383E MIL-DTL-38999 Series III Filter Connector Dual Flange Jam Nut Receptacle

B



**TABLE IV:
PC TAIL DIAMETER**

| Contact Size | Ø U |
|--------------|------------------------|
| 22D | .018/.021 (0.5/0.5) |
| 20 | .029/.031 (0.7/0.8) |
| 16 | .038/.042 (1.0/1.1) |

240-383E
MIL-DTL-38999 Series III Filter Connector
Dual Flange Jam Nut Receptacle



TABLE I: CONNECTOR CLASS

| SYM | CLASS | MATERIAL | FINISH DESCRIPTION |
|-----|---------------|-----------|---------------------------------------|
| M | Environmental | Aluminum | Electroless Nickel |
| MT | Environmental | Aluminum | Nickel Fluorocarbon Polymer (Ni-PTFE) |
| NF | Environmental | Aluminum | Cad. O.D. Over Electroless Nickel |
| P | Environmental | Stainless | Electro-Deposited Nickel |
| XM | Environmental | Composite | Electroless Nickel |
| XMT | Environmental | Composite | Nickel Fluorocarbon Polymer (Ni-PTFE) |
| XW | Environmental | Composite | Cad. O.D. Over Electroless Nickel |
| ZN | Environmental | Aluminum | Zinc-Nickel Over Electroless Nickel |
| H2* | Hermetic | Stainless | Electroless Nickel |

* Some dimensions do not apply, see sales drawing 240-383JH2

**MIL-DTL-38999 Series III
Jam Nut Panel Cutout**

| SHELL SIZE | Ø H | J |
|------------|--------------|--------------|
| 09 | .710 (18.0) | .670 (17.0) |
| | .700 (17.8) | .660 (16.8) |
| 11 | .835 (21.2) | .771 (19.6) |
| | .825 (21.0) | .761 (19.3) |
| 13 | 1.020 (25.9) | .955 (24.3) |
| | 1.010 (25.7) | .945 (24.0) |
| 15 | 1.145 (29.1) | 1.085 (27.6) |
| | 1.135 (28.8) | 1.075 (27.3) |
| 17 | 1.270 (32.3) | 1.210 (30.7) |
| | 1.260 (32.0) | 1.200 (30.5) |
| 19 | 1.395 (35.4) | 1.335 (33.9) |
| | 1.385 (35.2) | 1.325 (33.7) |
| 21 | 1.520 (38.6) | 1.460 (37.1) |
| | 1.510 (38.4) | 1.450 (36.8) |
| 23 | 1.645 (41.8) | 1.585 (40.3) |
| | 1.635 (41.5) | 1.575 (40.0) |
| 25 | 1.770 (45.0) | 1.710 (43.4) |
| | 1.760 (44.7) | 1.700 (43.2) |

**TABLE II: CAPACITOR ARRAY CODE
CAPACITANCE RANGE**

| CLASS | PI - CIRCUIT (pF) | C - CIRCUIT (pF) |
|-------|-------------------|------------------|
| X* | 160,000 - 240,000 | 80,000 - 120,000 |
| Y* | 80,000 - 120,000 | 40,000 - 60,000 |
| Z* | 60,000 - 90,000 | 30,000 - 45,000 |
| A | 38,000 - 56,000 | 19,000 - 28,000 |
| B | 32,000 - 45,000 | 16,000 - 22,500 |
| C | 18,000 - 33,000 | 9,000 - 16,500 |
| D | 8,000 - 12,000 | 4,000 - 6,000 |
| E | 3,300 - 5,000 | 1,650 - 2,500 |
| F | 800 - 1,300 | 400 - 650 |
| G | 400 - 600 | 200 - 300 |

* Reduced DWV – Please consult factory.

*Consult Factory for
Additional Filter Types,
TVS Diodes, and other
Custom Configurations.*

TABLE III: DIMENSIONS

| SHELL SIZE | B Thread (Plated) | D ± .005 | Ø E ± .012 | F ± .016 | P ± .010 (0.25) | R Thread Metric (Plated) | J Dia ± .005 (0.13) | K Dia Basic | L Dia ± .005 (0.13) | H ± .020 (0.51) | N ± .020 (0.51) |
|------------|------------------------|--------------|---------------|--------------|-----------------------|--------------------------------|---------------------------|----------------|---------------------------|-----------------------|-----------------------|
| 9 | .625- .1P- .3L-TS-2A | .651 (16.5) | 1.250 (31.8) | 1.063 (27.0) | .225 (5.7) | M17 x 1-6g-0.10R | 1.016 (25.8) | .752 (19.1) | .532 (13.5) | .225 (5.7) | .275 (7.0) |
| 11 | .7500- .1P- .3L-TS-2A | .751 (19.1) | 1.377 (35.0) | 1.259 (32.0) | .250 (6.4) | M20 x 1-6g-0.10R | 1.062 (27.0) | .850 (21.6) | .595 (15.1) | .250 (6.4) | .290 (7.4) |
| 13 | .8750- .1P- .3L-TS-2A | .937 (23.8) | 1.500 (38.1) | 1.374 (34.9) | .250 (6.4) | M25 x 1-6g-0.10R | 1.250 (31.8) | .994 (25.2) | .720 (18.3) | .375 (9.5) | .370 (9.4) |
| 15 | 1.0000- .1P- .3L-TS-2A | 1.063 (27.0) | 1.625 (41.3) | 1.500 (38.1) | .325 (8.2) | M28 x 1-6g-0.10R | 1.375 (34.9) | 1.119 (28.4) | .843 (21.4) | .438 (11.1) | .440 (11.2) |
| 17 | 1.8750- .1P- .3L-TS-2A | 1.187 (30.2) | 1.750 (44.5) | 1.625 (41.3) | .375 (9.5) | M32 x 1-6g-0.10R | 1.500 (38.1) | 1.237 (31.4) | 1.000 (25.4) | .562 (14.3) | .495 (12.6) |
| 19 | 1.2500- .1P- .3L-TS-2A | 1.311 (33.3) | 1.937 (49.2) | 1.822 (46.3) | .500 (12.7) | M35 x 1-6g-0.10R | 1.625 (41.3) | 1.379 (35.0) | 1.125 (28.6) | .875 (22.2) | .540 (13.7) |
| 21 | 1.3750- .1P- .3L-TS-2A | 1.434 (36.4) | 2.063 (52.4) | 1.940 (49.3) | .562 (14.3) | M38 x 1-6g-0.10R | 1.750 (44.5) | 1.489 (37.8) | 1.240 (31.5) | 1.170 (29.7) | .625 (15.9) |
| 23 | 1.5000- .1P- .3L-TS-2A | 1.561 (39.7) | 2.190 (55.6) | 2.073 (52.7) | .688 (17.5) | M41 x 1-6g-0.10R | 1.875 (47.6) | 1.619 (41.1) | 1.328 (33.7) | 1.250 (31.8) | .660 (16.8) |
| 25 | 1.6250- .1P- .3L-TS-2A | 1.687 (42.9) | 2.311 (58.7) | 2.189 (55.6) | .750 (19.1) | M44 x 1-6g-0.10R | 2.000 (50.8) | 1.744 (44.3) | 1.453 (36.9) | 1.375 (34.9) | .740 (18.8) |