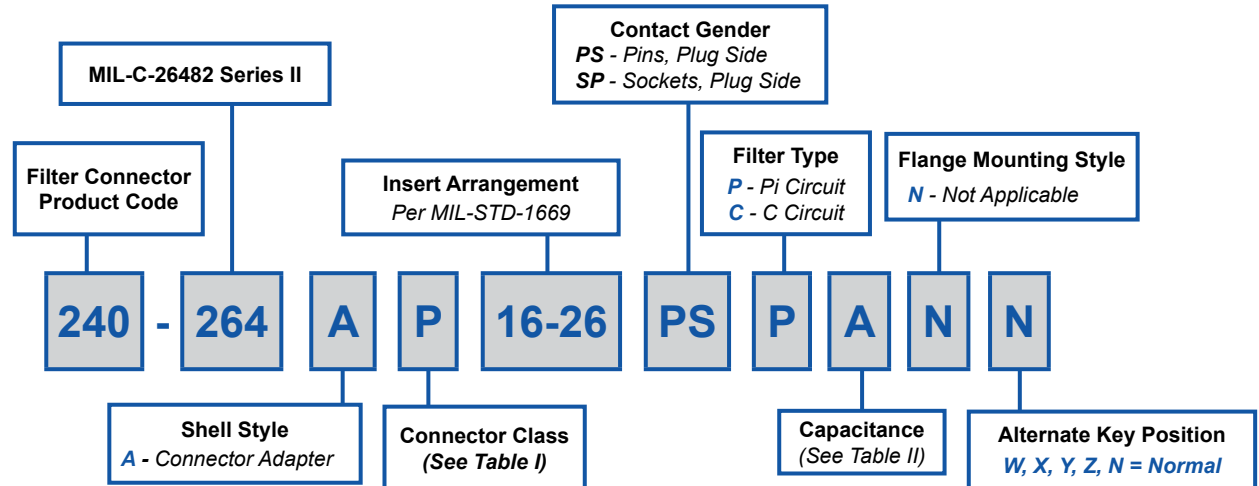




**240-264A**  
**Glenair MIL-DTL-26482 Series II Type**  
**Connector Adapter**

**B**



240-264A  
**Glenair MIL-DTL-26482 Series II Type  
 Connector Adapter**



**B**

**TABLE I: CONNECTOR CLASS**

| SYM | CLASS         | MATERIAL        | FINISH DESCRIPTION                                     |
|-----|---------------|-----------------|--|
| M   | Environmental | Aluminum        | Electroless Nickel                                     |
| MT  | Environmental | Aluminum        | Ni-PTFE 1000 Hour Grey™<br>Nickel Fluorocarbon Polymer |
| NF  | Environmental | Aluminum        | Cadmium O.D. Over Electroless Nickel                   |
| P   | Environmental | Stainless Steel | Electro-Deposited Nickel                               |
| ZN  | Environmental | Aluminum        | Zinc-Nickel Over Electroless Nickel                    |
| H2  | Hermetic      | Stainless Steel | Electroless Nickel                                     |

**TABLE II: CAPACITOR ARRAY CODE  
 CAPACITANCE RANGE**

| CLASS | PI - CIRCUIT (pF) | C - CIRCUIT (pF) |
|-------|-------------------|------------------|
| X*    | 160,000 - 240,000 | 80,000 - 120,000 |
| Y*    | 80,000 - 120,000  | 40,000 - 60,000  |
| Z*    | 60,000 - 90,000   | 30,000 - 45,000  |
| A     | 38,000 - 56,000   | 19,000 - 28,000  |
| B     | 32,000 - 45,000   | 16,000 - 22,500  |
| C     | 18,000 - 33,000   | 9,000 - 16,500   |
| D     | 8,000 - 12,000    | 4,000 - 6,000    |
| E     | 3,300 - 5,000     | 1,650 - 2,500    |
| F     | 800 - 1,300       | 400 - 650        |
| G     | 400 - 600         | 200 - 300        |

\* Reduced DWV – Please consult factory.

**TABLE III: SHELL SIZE**

| SHELL SIZE | A MAX        | B MAX        |
|------------|--------------|--------------|
| 08         | .474 (12.0)  | .750 (19.1)  |
| 10         | .591 (15.0)  | .859 (21.8)  |
| 12         | .751 (19.1)  | 1.031 (26.2) |
| 14         | .875 (22.2)  | 1.156 (29.4) |
| 16         | 1.001 (25.4) | 1.281 (32.5) |
| 18         | 1.126 (28.6) | 1.391 (35.3) |
| 20         | 1.251 (31.8) | 1.531 (38.9) |
| 22         | 1.376 (35.0) | 1.656 (42.1) |
| 24         | 1.501 (38.1) | 1.777 (45.1) |