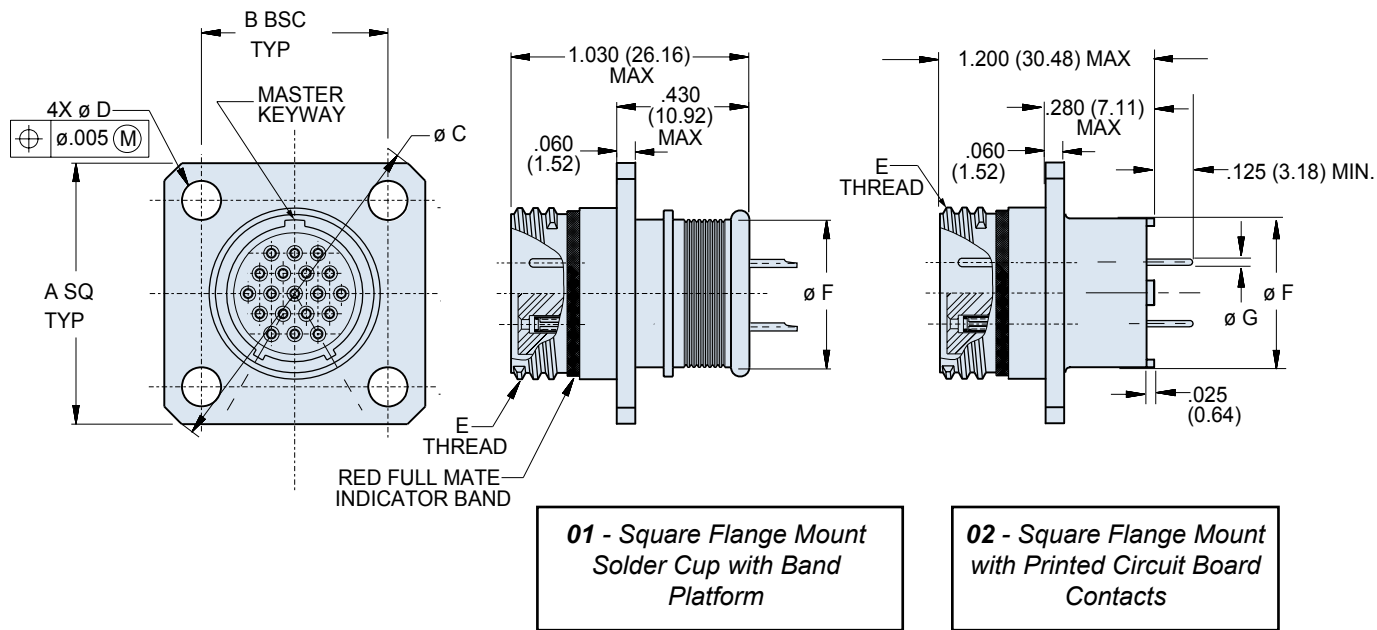




240-805-01 and -02  
**“Mighty Mouse” Filter Connector**  
 Triple-Start ACME Coupling Threads  
 Square Flange Receptacle Versions

C



DIMENSIONS													
Shell Size	A		B		$\varnothing C$		$\varnothing D$		E Threads	$\varnothing F$		$\varnothing G$ Tail Dia.	
	In.	mm.	In.	mm.	In.	mm.	In. $\pm .003$	mm. $\pm .08$		In.	mm.		
8	.850	21.59	.660	16.76	1.150	29.21	.094	2.39	.5000-.1P-.3L-TS-2A	.413	10.49	#23 .018/.022 (0.46/0.56)	
9	.913	23.19	.723	18.36	1.230	31.24	.094	2.39	.5625-.1P-.3L-TS-2A	.500	12.70		
10	.975	24.77	.785	19.94	1.330	33.78	.094	2.39	.6250-.1P-.3L-TS-2A	.530	13.46		
11	1.039	26.39	.848	21.54	1.410	35.81	.094	2.39	.6875-.1P-.3L-TS-2A	.558	14.17		
12	1.099	27.91	.909	23.09	1.500	38.10	.094	2.39	.7500-.1P-.3L-TS-2A	.655	16.51		
15	1.288	32.74	1.058	26.87	1.750	44.45	.128	3.25	.9375-.1P-.3L-TS-2A	.708	17.98		
18	1.475	37.47	1.255	31.88	2.000	50.80	.128	3.25	1.1250-.1P-.3L-TS-2A	.871	22.12		
19	1.537	71.06	1.327	33.71	2.094	53.19	.128	3.25	1.1870-.1P-.3L-TS-2A	.972	24.67		