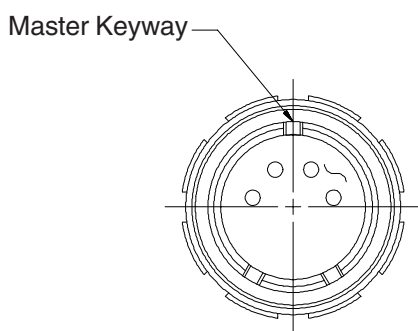
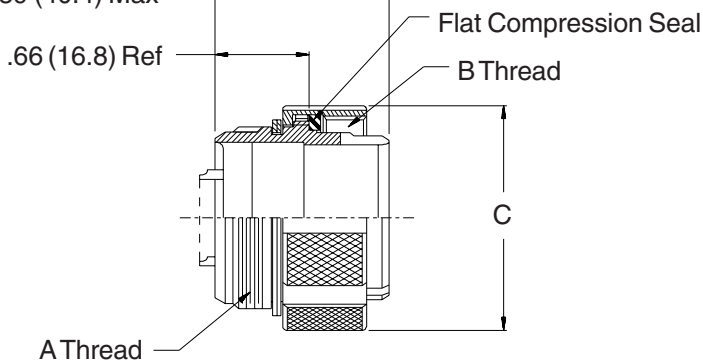


220-06 and 220-16 Cable Connector Plug Assembly



220-06: 1.19 (30.2) Max
220-16: 1.59 (40.4) Max



220-06 E 24-61 S N

Series No. _____
Shell Style _____
 06 = Standard
 16 = Scoop Proof
Class _____
 E = Environmental

_____ Polarization
 (N, 1, 2, 3, 4)
_____ P = Pins
 S = Sockets
_____ Insert Arrangement
_____ Shell Size

Metric dimensions (mm) are indicated in parentheses.

DIMENSIONS

SHELL SIZE	A THREAD CLASS 2A	B THREAD CLASS 2B	C DIA MAX
10	5/8 - 24 UNEF	.750 - .1P - .1L	1.000 (25.4)
12	3/4 - 20 UNEF	.875 - .1P - .1L	1.125 (28.6)
14	7/8 - 20 UNEF	1.000 - .1P - .1L	1.250 (31.8)
16	1 - 20 UNEF	1.125 - .1P - .1L	1.375 (34.9)
18	1 1/8 - 16 UN	1.250 - .1P - .1L	1.594 (40.5)
20	1 1/4 - 16 UN	1.375 - .1P - .1L	1.719 (43.7)
22	1 3/8 - 16 UN	1.500 - .1P - .1L	1.894 (48.1)
24	1 1/2 - 16 UN	1.625 - .1P - .1L	1.969 (50.0)

RECOMMENDED COUPLING NUT ASSEMBLY TORQUE VALUES

SHELL SIZE	INCH-POUNDS		NEWTON-METERS	
	MIN	MAX	MIN	MAX
10	20	40	2.26	4.52
12	20	40	2.26	4.52
14	30	50	3.39	5.65
16	30	50	3.39	5.65
18	40	60	4.52	6.78
20	50	70	5.65	7.91
22	60	80	6.78	9.04
24	80	100	9.04	11.30

REPLACEMENT FLAT COMPRESSION SEAL

SHELL SIZE	GLENAIR PART NO.
10	G70653-10
12	G70653-12
14	G70653-14
16	G70653-16
18	G70653-18
20	G70653-20
22	G70653-22
24	G70653-24