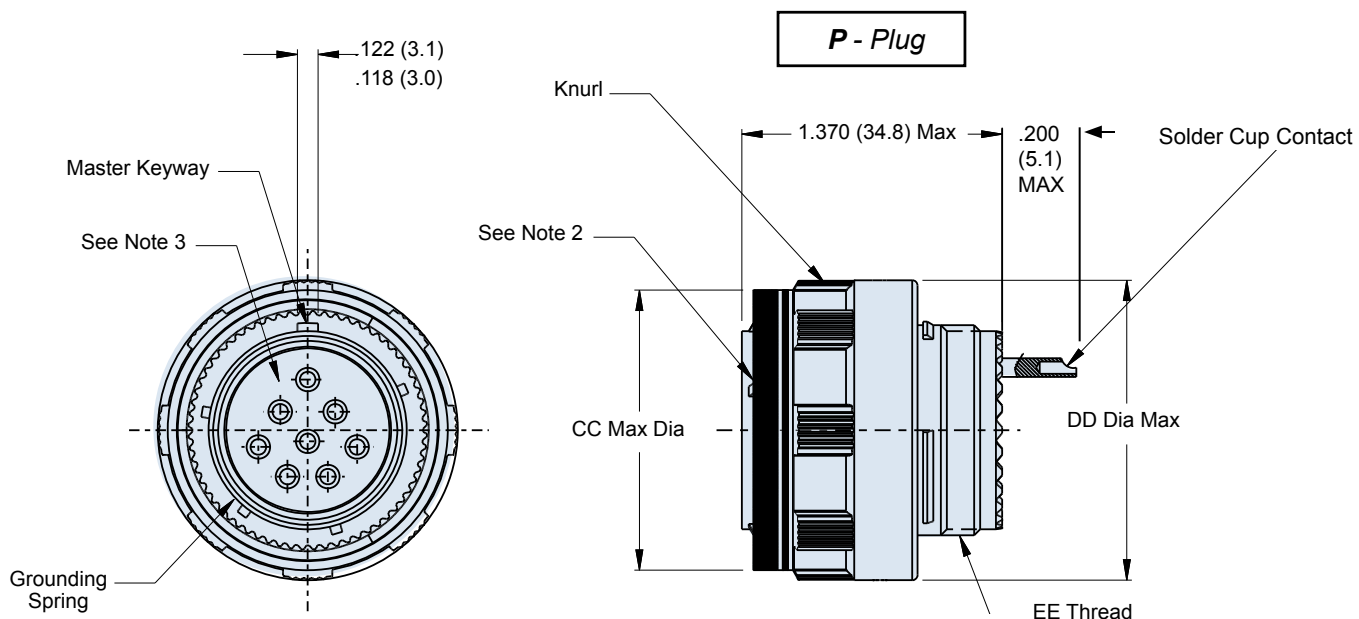
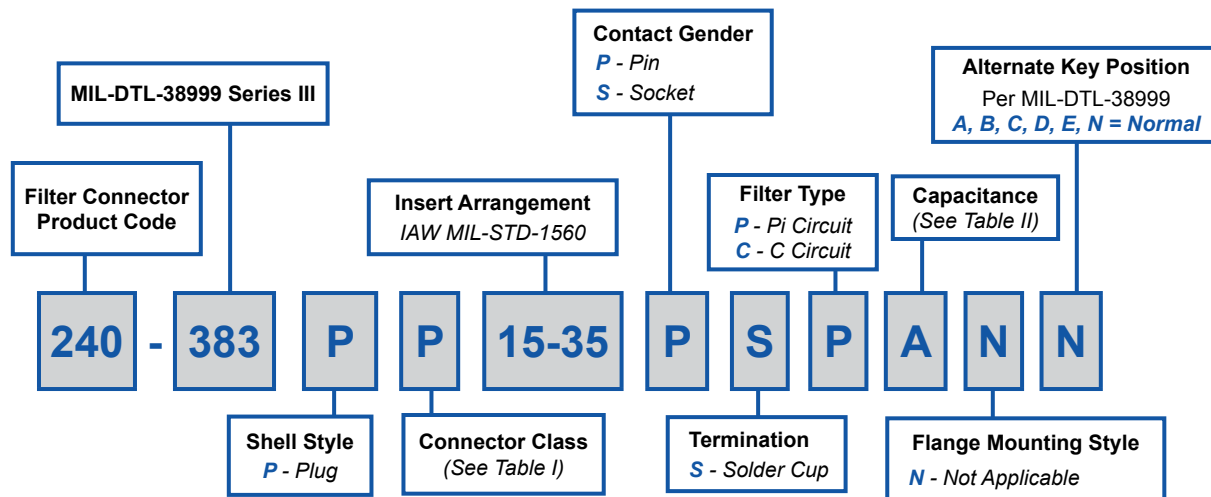




240-383P MIL-DTL-38999 Series III Filter Connector Plug Receptacle

B



240-383P
MIL-DTL-38999 Series III Filter Connector
Plug Receptacle



TABLE I: CONNECTOR CLASS			
SYM	CLASS	MATERIAL	FINISH DESCRIPTION
M	Environmental	Aluminum	Electroless Nickel
MT	Environmental	Aluminum	Nickel Fluorocarbon Polymer (Ni-PTFE)
NF	Environmental	Aluminum	Cad. O.D. Over Electroless Nickel
P	Environmental	Stainless	Electro-Deposited Nickel
XM	Environmental	Composite	Electroless Nickel
XMT	Environmental	Composite	Nickel Fluorocarbon Polymer (Ni-PTFE)
XW	Environmental	Composite	Cad. O.D. Over Electroless Nickel
ZN	Environmental	Aluminum	Zinc-Nickel Over Electroless Nickel
H2*	Hermetic	Stainless	Electroless Nickel

* Some dimensions do not apply, see sales drawing 240-383JH2

TABLE II: CAPACITOR ARRAY CODE CAPACITANCE RANGE		
CLASS	PI - CIRCUIT (pF)	C - CIRCUIT (pF)
X*	160,000 - 240,000	80,000 - 120,000
Y*	80,000 - 120,000	40,000 - 60,000
Z*	60,000 - 90,000	30,000 - 45,000
A	38,000 - 56,000	19,000 - 28,000
B	32,000 - 45,000	16,000 - 22,500
C	18,000 - 33,000	9,000 - 16,500
D	8,000 - 12,000	4,000 - 6,000
E	3,300 - 5,000	1,650 - 2,500
F	800 - 1,300	400 - 650
G	400 - 600	200 - 300

* Reduced DWV – Please consult factory.

DIMENSIONS				
SHELL SIZE CODE	SHELL SIZE	CC Dia Max	DD Dia Max	EE THREAD
B	11	.929 (23.6)	.984 (25.0)	M15 X 1.0-6g 0.100R
C	13	1.110 (28.2)	1.157 (29.4)	M18 X 1.0-6g 0.100R
D	15	1.232 (31.3)	1.280 (32.5)	M22 X 1.0-6g 0.100R
E	17	1.358 (34.5)	1.406 (35.7)	M25 X 1.0-6g 0.100R
F	19	1.469 (37.3)	1.516 (38.5)	M28 X 1.0-6g 0.100R
G	21	1.594 (40.5)	1.642 (41.7)	M31 X 1.0-6g 0.100R
H	23	1.720 (43.7)	1.768 (44.9)	M34 X 1.0-6g 0.100R
J	25	1.843 (46.8)	1.890 (48.0)	M37 X 1.0-6g 0.100R

Consult Factory for Additional Filter Types, TVS Diodes, and other Custom Configurations.