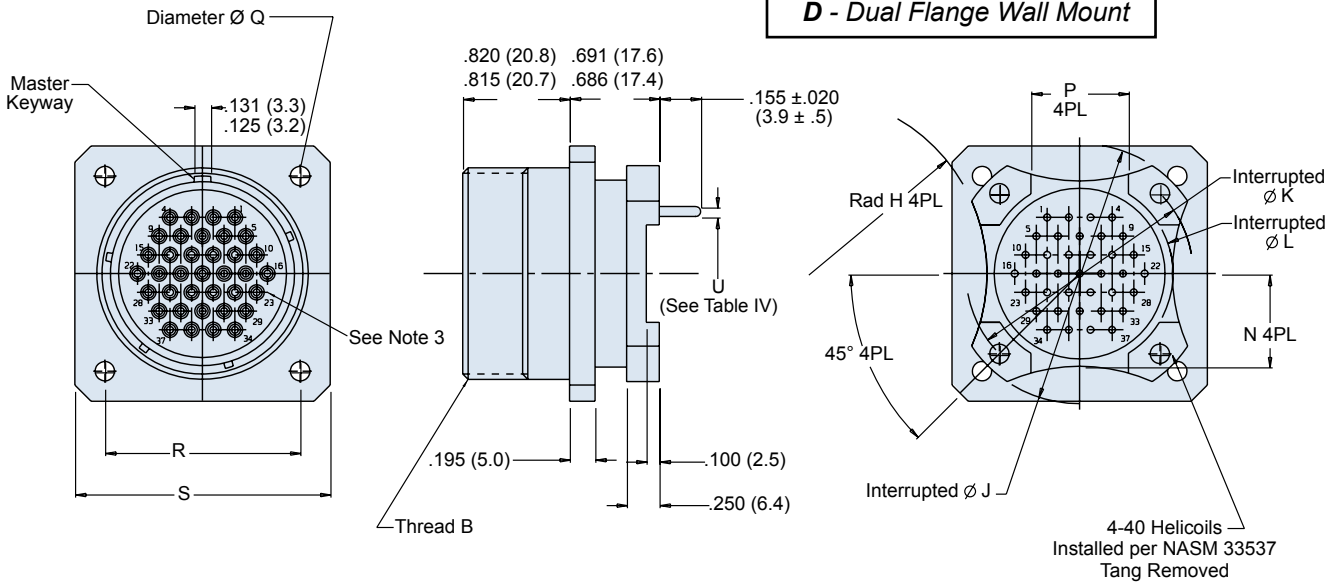
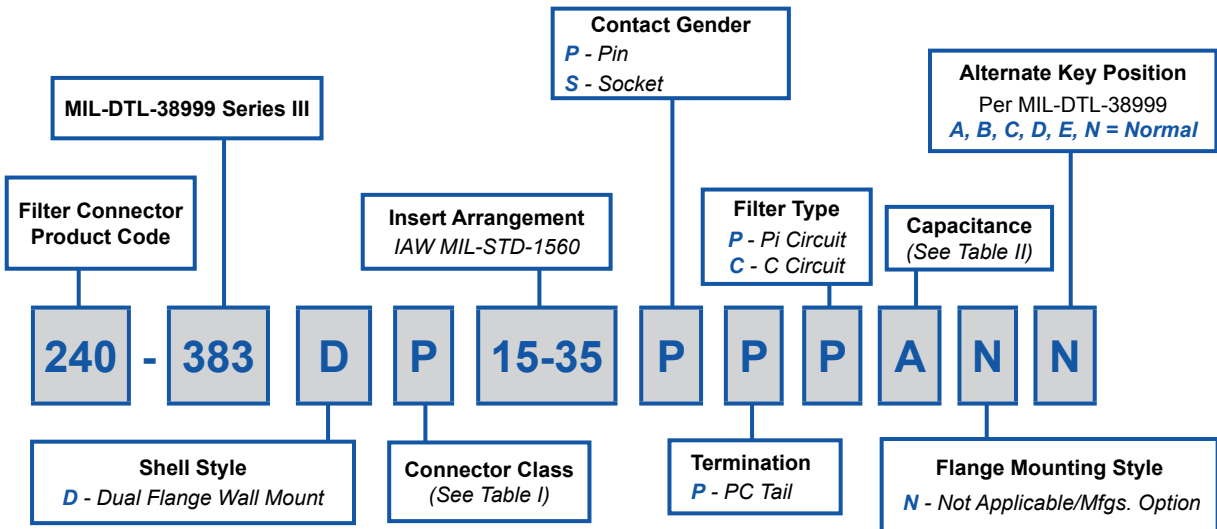


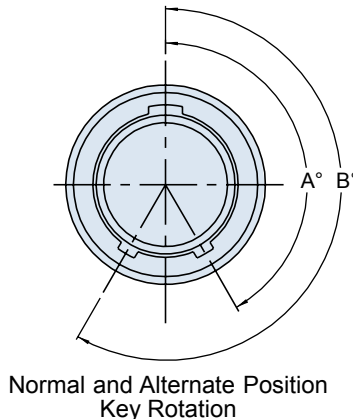


**240-383D**  
**MIL-DTL-38999 Series III Filter Connector**  
**Dual Flange Wall Mount Receptacle with P.C.Tails**

**B**



Position	A°	B°
A	150°	210°
B	75°	210°
C	95°	230°
D	140°	275°



Contact Size	ØU
22D	.018/.021 (0.5/0.5)
20	.029/.031 (0.7/0.8)
16	.038/.042 (1.0/1.1)

# 240-383D MIL-DTL-38999 Series III Filter Connector Dual Flange Wall Mount Receptacle with P.C.Tails



MIL-DTL-38999  
Connectors

B

SYM	CLASS	MATERIAL	FINISH DESCRIPTION
M	Environmental	Aluminum	Electroless Nickel
MT	Environmental	Aluminum	Nickel Fluorocarbon Polymer (Ni-PTFE)
NF	Environmental	Aluminum	Cad. O.D. Over Electroless Nickel
P	Environmental	Stainless	Electro-Deposited Nickel
XM	Environmental	Composite	Electroless Nickel
XMT	Environmental	Composite	Nickel Fluorocarbon Polymer (Ni-PTFE)
XW	Environmental	Composite	Cad. O.D. Over Electroless Nickel
ZN	Environmental	Aluminum	Zinc-Nickel Over Electroless Nickel
H2*	Hermetic	Stainless	Electroless Nickel

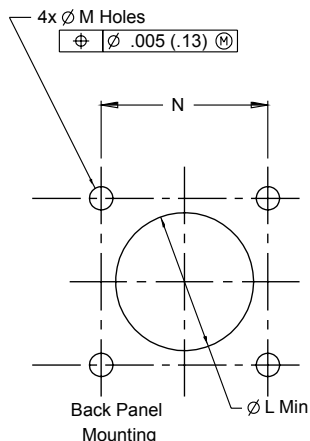
\* Some dimensions do not apply, see sales drawing 240-383JH2

*Consult Factory for Additional Filter Types, TVS Diodes, and other Custom Configurations.*

CLASS	PI - CIRCUIT (pF)	C - CIRCUIT (pF)
X*	160,000 - 240,000	80,000 - 120,000
Y*	80,000 - 120,000	40,000 - 60,000
Z*	60,000 - 90,000	30,000 - 45,000
A	38,000 - 56,000	19,000 - 28,000
B	32,000 - 45,000	16,000 - 22,500
C	18,000 - 33,000	9,000 - 16,500
D	8,000 - 12,000	4,000 - 6,000
E	3,300 - 5,000	1,650 - 2,500
F	800 - 1,300	400 - 650
G	400 - 600	200 - 300

\* Reduced DWV – Please consult factory.

SHELL SIZE	B THREAD (PLATED)	P +/- .01 (.25)	R BSC	S +/- .012 (.3)	ØJ +/- .005 (.13)	ØK BSC	ØL +/- .005 (.13)	H +/- .020 (.51)	N +/- .020 (.51)	ØQ ± .010
9	.625-.1P-.3L-TS-2A	.225 (5.7)	.719 (18.3)	.937 (23.8)	1.016 (25.8)	.752 (19.1)	.532 (13.5)	.225 (5.7)	.275 (7.0)	.128 (3.3)
11	.7500-.1P-.3L-TS-2A	.250 (6.4)	.812 (20.6)	1.181 (30.0)	1.062 (27.0)	.850 (21.6)	.595 (15.1)	.250 (6.4)	.290 (7.4)	
13	.8750-.1P-.3L-TS-2A	.250 (6.4)	.906 (23.0)	1.277 (32.4)	1.250 (31.8)	.994 (25.2)	.720 (18.3)	.375 (9.5)	.370 (9.4)	
15	1.000-.1P-.3L-TS-2A	.325 (8.2)	.969 (24.6)	1.371 (34.8)	1.375 (34.9)	1.119 (28.4)	.843 (21.4)	.438 (11.1)	.440 (11.2)	
17	1.1875-.1P-.3L-TS-2A	.375 (9.5)	1.062 (27.0)	1.462 (37.1)	1.500 (38.1)	1.237 (31.4)	1.000 (25.4)	.562 (14.3)	.495 (12.6)	
19	1.2500-.1P-.3L-TS-2A	.500 (12.7)	1.156 (29.4)	1.588 (40.3)	1.625 (41.3)	1.379 (35.0)	1.125 (28.6)	.875 (22.2)	.540 (13.7)	
21	1.3750-.1P-.3L-TS-2A	.562 (14.3)	1.250 (31.8)	1.714 (43.5)	1.750 (44.5)	1.489 (37.8)	1.240 (31.5)	1.170 (29.7)	.625 (15.9)	
23	1.5000-.1P-.3L-TS-2A	.688 (17.5)	1.375 (34.9)	1.840 (46.7)	1.875 (47.6)	1.619 (41.1)	1.328 (33.7)	1.250 (31.8)	.660 (16.8)	.156 (4.0)
25	1.6250-.1P-.3L-TS-2A	.750 (19.1)	1.500 (38.1)	1.962 (49.8)	2.000 (50.8)	1.744 (44.3)	1.453 (36.9)	1.375 (34.9)	.740 (18.8)	



Shell Size	Ø L Min	M Holes	N BSC
09	.516 (13.1)	.133 (3.4) .123 (3.1)	.719 (18.3)
11	.625 (15.9)	.133 (3.4) .123 (3.1)	.812 (20.6)
13	.750 (19.1)	.133 (3.4) .123 (3.1)	.906 (23.0)
15	.906 (23.0)	.133 (3.4) .123 (3.1)	.969 (24.6)
17	1.016 (25.8)	.133 (3.4) .123 (3.1)	1.062 (27.0)
19	1.141 (29.0)	.133 (3.4) .123 (3.1)	1.156 (29.4)
21	1.266 (32.2)	.133 (3.4) .123 (3.1)	1.250 (31.8)
23	1.375 (34.9)	.159 (4.0) .149 (3.8)	1.375 (34.9)
25	1.484 (37.7)	.155 (3.9) .145 (3.7)	1.500 (38.1)