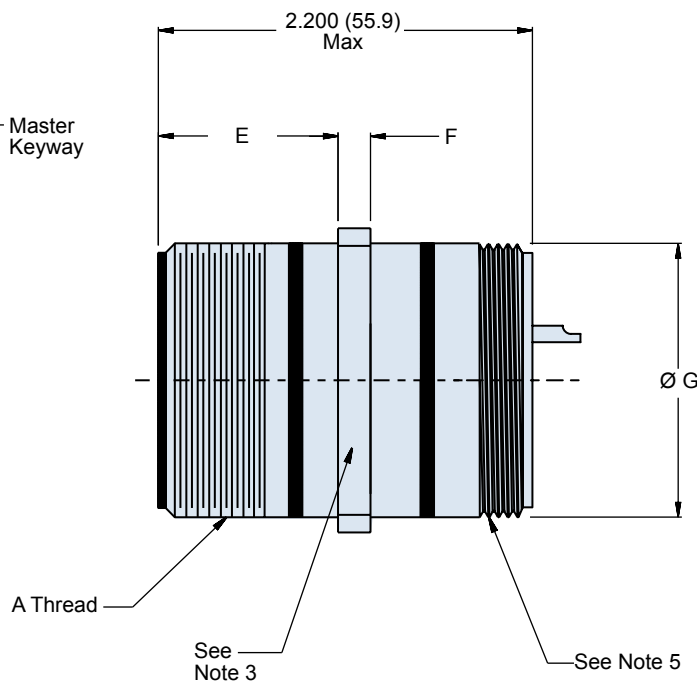
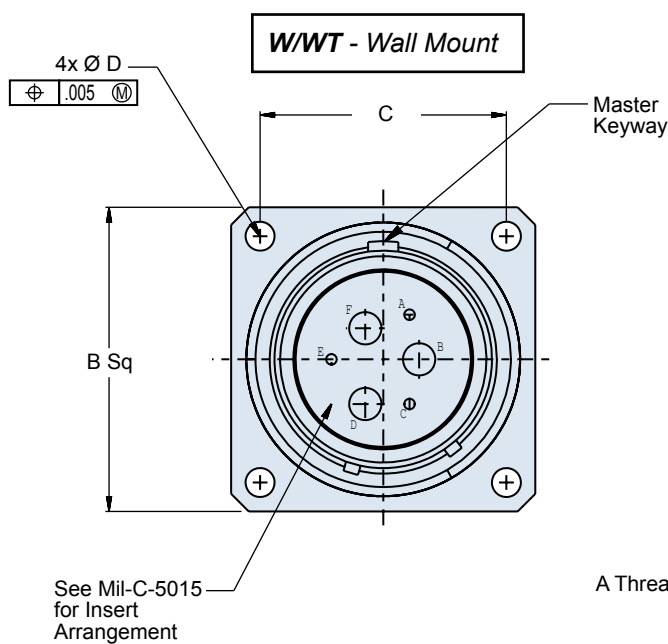
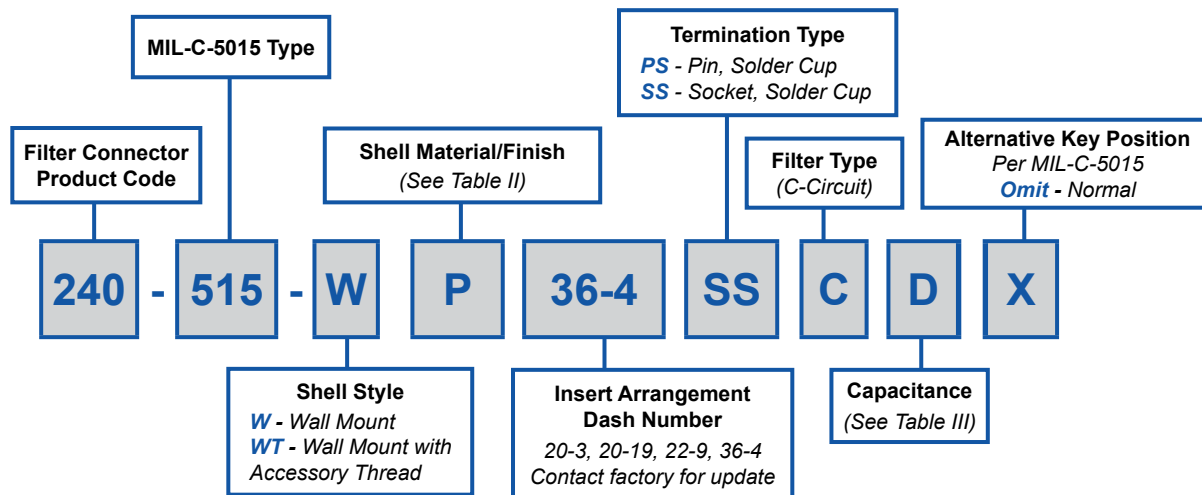




# 240-515-W Wall Mount Filtered Receptacle Connector (5015, MS3452 Type)



## APPLICATION NOTES

- Materials/Finishes:  
Shells - See Table II  
Insulators - High grade thermoplastic/N.A.  
Seals - Fluorosilicone/N.A.  
Contacts - Copper Alloy/Gold Plated
- EMI Circular Filter Connector designed to meet MIL-DTL-5015
- Assembly to be identified with date code, cage code, Glenair P/N, and serial number
- Electrical Performance:  
A - Capacitance - See Table III  
B - I.R. 5000 Megohms min at 200 VDC  
C - D.W.V. 500 VDC with 100 micro amps max leakage
- Shell style WT shown
- Metric dimensions (mm) are indicated in parentheses

# 240-515-W Wall Mount Filtered Receptacle Connector (5015, MS3452 Type)



**TABLE I: DIMENSIONS**

Shell Size	A Thread Class 2A	B ±.031 (0.78)	C SBC	D +.010 (0.25) - .005 (0.13)	E Dia +.015 (0.38) - .000 (0)	F ±.015 (0.38)	Ø G ±.160 (4.06)
14S	.875 - 20 UNEF	1.188 (30.2)	.906 (23.0)	.120 (3.0)	.562 (14.3)	.083 (2.1)	.875 (22.2)
16S	1.000 - 20 UNEF	1.281 (32.5)	.969 (24.6)	.120 (3.0)	.562 (14.3)	.083 (2.1)	1.000 (25.4)
18	1.125 - 18 UNEF	1.375 (34.9)	1.062 (27.0)	.120 (3.0)	.750 (19.1)	.125 (3.2)	1.062 (27.0)
20	1.250 - 18 UNEF	1.500 (38.1)	1.156 (29.4)	.120 (3.0)	.750 (19.1)	.125 (3.2)	1.187 (30.1)
22	1.375 - 18 UNEF	1.625 (41.3)	1.250 (31.8)	.120 (3.0)	.750 (19.1)	.125 (3.2)	1.312 (33.3)
24	1.500 - 18 UNEF	1.750 (44.5)	1.375 (34.9)	.147 (3.7)	.812 (20.6)	.125 (3.2)	1.437 (36.5)
32	2.000 - 18 UNS	2.250 (57.2)	1.750 (44.5)	.173 (4.4)	.875 (22.2)	.125 (3.2)	2.000 (50.8)
36	2.250 - 16 UN	2.500 (63.5)	1.938 (49.2)	.173 (4.4)	.875 (22.2)	.125 (3.2)	2.250 (57.2)
40	2.500 - 16 UN	2.750 (69.9)	2.188 (55.6)	.173 (4.4)	.875 (22.2)	.125 (3.2)	2.500 (63.5)

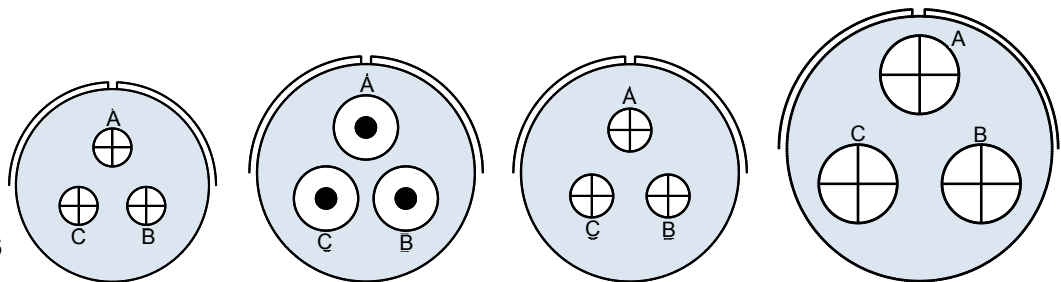
**TABLE III: CAPACITOR ARRAY CODE AND CAPACITANCE RANGE**

CLASS	C - SECTION (pF)
X	80,000 - 120,000
Y	40,000 - 60,000
Z	30,000 - 45,000
A	19,000 - 28,000
B	16,000 - 22,500
C	9,000 - 16,500

**TABLE II: SHELL MATERIAL/FINISH**

Symbol	Material	Finish Description
M	Aluminum	Electroless Nickel
NF		Cadmium Olive Drab Over Electroless Nickel
P	Stainless Steel	Electro-Deposited Nickel

**Example Contact Arrangements**



Arrangement	20-3	20-19	22-9	36-4
Contact Size	12	8	12	0
Service Rating	D	A	E	A=D; B,C=A

