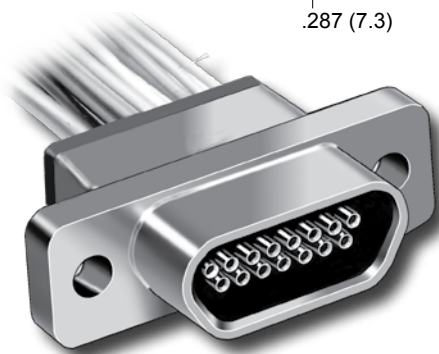
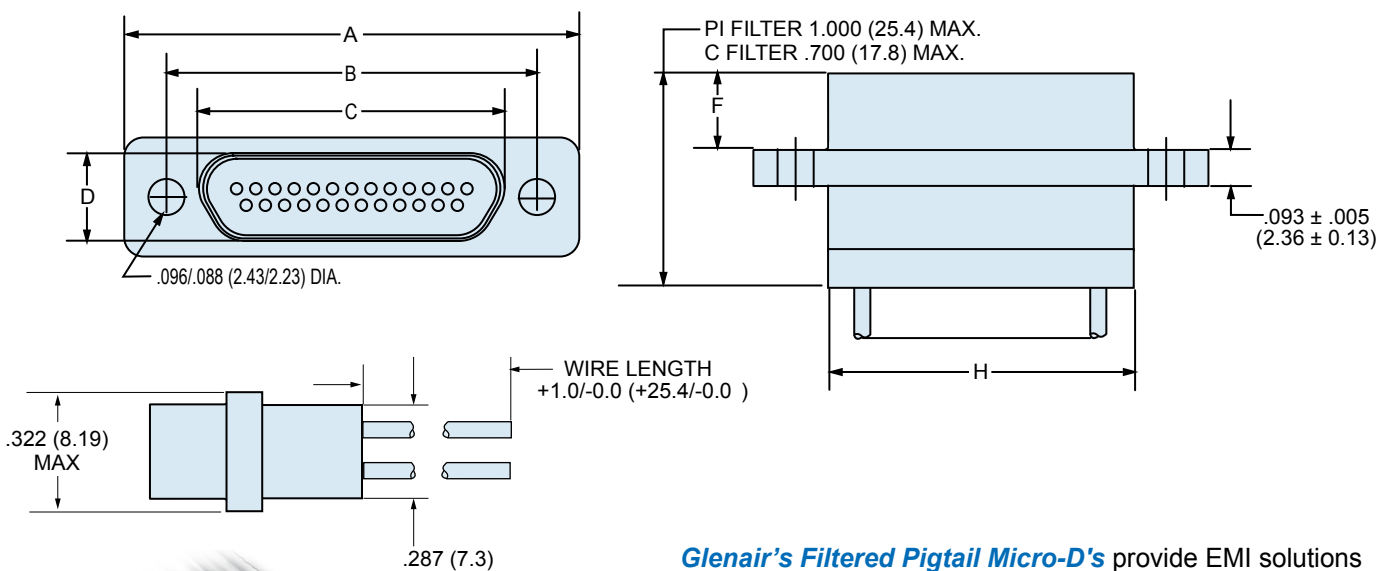


D



**Glenair's Filtered Pigtail Micro-D's** provide EMI solutions in a miniaturized M83513 Micro-D connector. These connectors feature ceramic capacitor planar arrays and ferrite inductors. Insulated wire is factory precision-crimped to TwistPin contacts for superior reliability in the most demanding environments.

**Choose 9 to 67 Contacts**, with standard cadmium or nickel plating on the connector housing or choose optional finishes such as gold or chem film.

240-032  
**Micro-D Filter Connectors**  
 Pre-Wired Pigtails with Insulated Wire



**TABLE I: SHELL FINISH**

SYM	MATERIAL	FINISH DESCRIPTION
1	Aluminum	Cadmium
2	Aluminum	Nickel
5	Aluminum	Gold
6	Aluminum	Chem Film
33	Aluminum	Ni-PTFE 1000 Hour Grey™

**TABLE III: CAPACITOR ARRAY CODE  
CAPACITANCE RANGE**

CLASS	PI - CIRCUIT (pF)	C - CIRCUIT (pF)
A	38,000 - 56,000	19,000 - 28,000
B	32,000 - 45,000	16,000 - 22,500
C	18,000 - 33,000	9,000 - 16,500
D	8,000 - 12,000	4,000 - 6,000
E	3,300 - 5,000	1,650 - 2,500
F	800 - 1,300	400 - 650
G	400 - 600	200 - 300

**TABLE II: MICRO-D MOUNTING HARDWARE**

B	P	M	M1	S	S1	L	K	F	R
<b>Thru-Hole</b> Order Hardware Separately	<b>Jackpost</b> Removable Includes Nut and Washer	<b>Jackscrew</b> Hex Head Removable E-ring	<b>Jackscrew</b> Hex Head Removable E-ring Extended	<b>Jackscrew</b> Slot Head Removable E-ring	<b>Jackscrew</b> Slot Head Removable E-ring Extended	<b>Jackscrew</b> Hex Head Non-Removable	<b>Jackscrew</b> Slot Head Non-Removable Extended	<b>Float Mount</b> For Front Panel Mounting	<b>Float Mount</b> For Rear Panel Mounting

**MICRO-D FILTER PIGTAIL DIMENSIONS**

Layout	A Max.		B		C Max.		D Max.		F		H Max.	
	In.	mm.	In. ±.003	mm. ±0.08	In.	mm.	In.	mm.	In. ±.004	mm. ±0.10	In.	mm.
9P	.785	19.94	.565	14.35	.333	8.46	.184	4.67	.183	4.65	.400	10.16
9S	.785	19.94	.565	14.35	.400	10.16	.250	6.35	.195	4.95	.400	10.16
15P	.935	23.75	.715	18.16	.483	12.27	.184	4.67	.183	4.65	.550	13.97
15S	.935	23.75	.715	18.16	.551	14.00	.250	6.35	.195	4.95	.550	13.97
21P	1.085	27.56	.865	21.97	.633	16.08	.184	4.67	.183	4.65	.700	17.78
21S	1.085	27.56	.865	21.97	.701	17.81	.250	6.35	.195	4.95	.700	17.78
25P	1.185	30.01	.965	24.51	.733	18.62	.184	4.67	.183	4.65	.800	20.32
25S	1.185	30.01	.965	24.51	.801	20.35	.250	6.35	.195	4.95	.800	20.32
31P	1.335	33.91	1.115	28.32	.883	22.43	.184	4.67	.183	4.65	.950	24.13
31S	1.335	33.91	1.115	28.32	.951	24.16	.250	6.35	.195	4.95	.950	24.13
37P	1.485	37.72	1.265	32.13	1.033	26.24	.184	4.67	.183	4.65	1.100	27.94
37S	1.485	37.72	1.265	32.13	1.101	27.96	.250	6.35	.195	4.95	1.100	27.94