

## Silicon PNP Power Transistors

2SA653

## DESCRIPTION

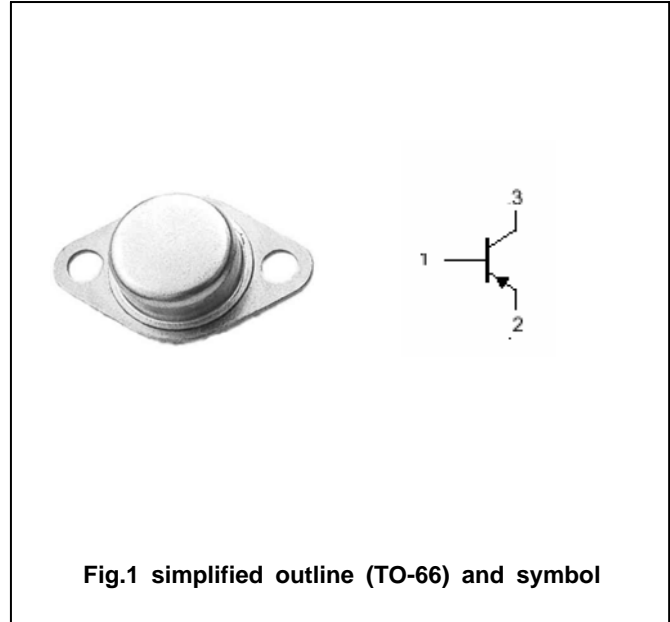
- With TO-66 package
- High voltage:  $V_{CEO}=-120V(\text{min})$

## APPLICATIONS

- Low frequency power amplifier color TV vertical deflection output applications

## PINNING(see Fig.2)

PIN	DESCRIPTION
1	Base
2	Emitter
3	Collector

Absolute maximum ratings( $T_a=^{\circ}\text{C}$ )

SYMBOL	PARAMETER	CONDITIONS	VALUE	UNIT
$V_{CBO}$	Collector-base voltage	Open emitter	-150	V
$V_{CEO}$	Collector-emitter voltage	Open base	-120	V
$V_{EBO}$	Emitter-base voltage	Open collector	-6	V
$I_C$	Collector current		-1.0	A
$P_C$	Collector power dissipation	$T_C=25^{\circ}\text{C}$	15	W
$T_j$	Junction temperature		150	$^{\circ}\text{C}$
$T_{stg}$	Storage temperature		-55~150	$^{\circ}\text{C}$

## Silicon PNP Power Transistors

## 2SA653

## CHARACTERISTICS

T<sub>j</sub>=25°C unless otherwise specified

SYMBOL	PARAMETER	CONDITIONS	MIN	TYP.	MAX	UNIT
V <sub>(BR)CEO</sub>	Collector-emitter breakdown voltage	I <sub>C</sub> =-10mA ; I <sub>B</sub> =0	-120			V
V <sub>(BR)CBO</sub>	Collector-base breakdown voltage	I <sub>C</sub> =-1mA ; I <sub>E</sub> =0	-150			V
V <sub>CEsat</sub>	Collector-emitter saturation voltage	I <sub>C</sub> =-0.5A ; I <sub>B</sub> =-50mA			-1.5	V
V <sub>BEsat</sub>	Base-emitter saturation voltage	I <sub>C</sub> =-0.5A ; I <sub>B</sub> =-50mA			-2.0	V
I <sub>CBO</sub>	Collector cut-off current	V <sub>CB</sub> =-150V ; I <sub>E</sub> =0			-10	μ A
I <sub>EBO</sub>	Emitter cut-off current	V <sub>EB</sub> =-5V ; I <sub>C</sub> =0			-10	μ A
h <sub>FE</sub>	DC current gain	I <sub>C</sub> =-0.2A ; V <sub>CE</sub> =-5V	40			
f <sub>T</sub>	Transition frequency	I <sub>C</sub> =-0.1A ; V <sub>CE</sub> =-10V		15		MHz

PACKAGE OUTLINE

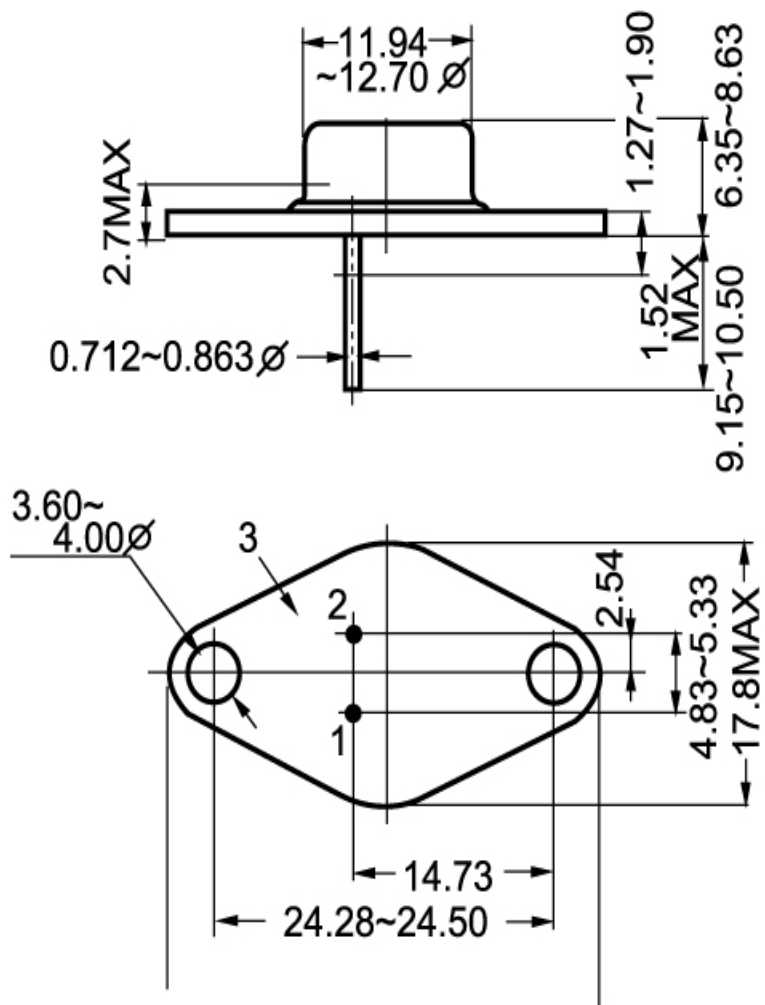


Fig.2 outline dimensions