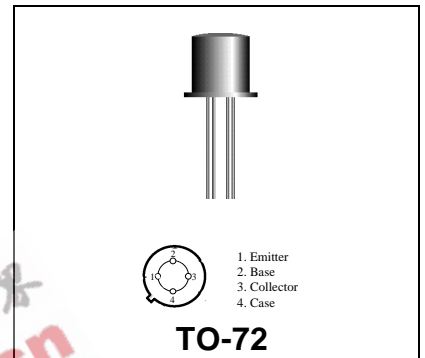


2N2857

**RF & MICROWAVE DISCRETE
LOW POWER TRANSISTORS**

Features

- Silicon NPN, To-72 packaged UHF Transistor
- 1.6 GHz Current-Gain Bandwidth Product @ 5mA IC
- Maximum Unilateral Gain = 13 dB (typ) @ 500 MHz



DESCRIPTION:

The 2N2857 is a silicon NPN transistor, designed for UHF equipment. Applications include low noise amplifier; oscillator, and mixer applications.

ABSOLUTE MAXIMUM RATINGS (Tcase = 25°C)

Symbol	Parameter	Value	Unit
V _{CEO}	Collector-Emitter Voltage	15	V
V _{CBO}	Collector-Base Voltage	30	V
V _{EBO}	Emitter-Base Voltage	2.5	V
P _D	Maximum Device Dissipation	200	mW
I _C	Collector Current	40	mA

Thermal Data

R _{TH(J-C)}	Thermal Resistance Junction-case	0.88	°C/mW
----------------------	----------------------------------	------	-------

ELECTRICAL SPECIFICATIONS (T_{case} = 25°C)
STATIC

Symbol	Test Conditions	Value			Unit
		Min.	Typ.	Max.	
BVCEO	Collector-Emitter Breakdown Voltage (I _C = 3.0 mA _{dc} , I _B = 0)	15	-	-	V
BVCBO	Collector-Base Breakdown Voltage (I _C = 1.0 μA _{dc} , I _E = 0)	30	-	-	V
BVEBO	Emitter-Base Breakdown Voltage (I _E = 10 μA _{dc} , I _C = 0)	2.5	-	-	V
ICBO	Collector Cutoff Current (V _{CE} = 15 V, I _E = 0 V)	-	-	.01	μA
HFE	DC Current Gain (I _C = 3.0 mA _{dc} , V _{CE} = 1.0 V)	30	-	150	

DYNAMIC

Symbol	Test Conditions	Value			Unit
		Min.	Typ.	Max.	
f _T	Current-Gain - Bandwidth Product (I _C = 5.0 mA _{dc} , V _{CE} = 6 V, f = 100 MHz)		1.6	-	GHz
NF	Noise Figure (50 Ohms) (I _C = 1.5 mA _{dc} , V _{CE} = 6 V, f = 500 MHz)		5.5		dB

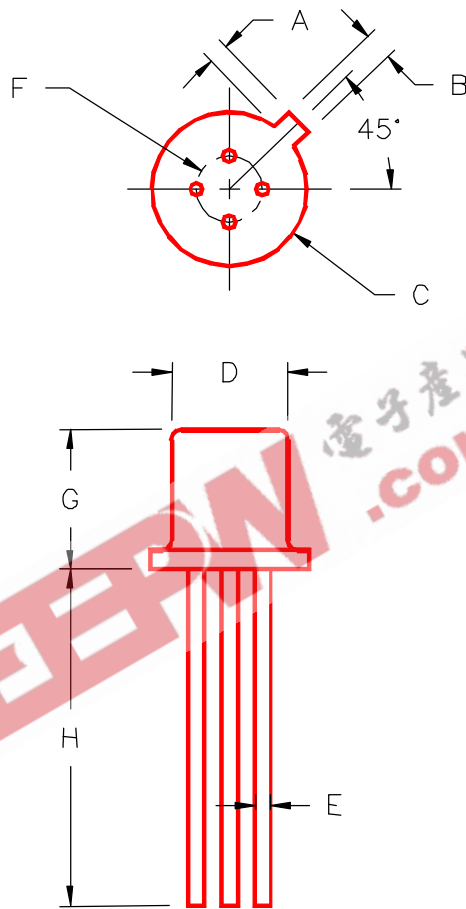
FUNCTIONAL

Symbol	Test Conditions		Value			Unit
			Min.	Typ.	Max.	
G _{U max}	Maximum Unilateral Gain	I _C = 12 mA _{dc} , V _{CE} = 10V, f = 500 MHz	-	13	-	dB
MAG	Maximum Available Gain	I _C = 12 mA _{dc} , V _{CE} = 10V, f = 500 MHz	-	13.5	-	dB
S ₂₁ ²	Insertion Gain	I _C = 12 mA _{dc} , V _{CE} = 10V, f = 500 MHz	9.5	10.5	-	dB

Table 1. Common Emitter S-Parameters, @ VCE = 10 V, IC = 12 mA

f (MHz)	S11		S21		S12		S22	
	S11	$\angle \phi$	S21	$\angle \phi$	S12	$\angle \phi$	S22	$\angle \phi$
100	0.457	-44	12.49	122	0.012	63	0.823	-23
200	0.291	-56	8.06	101	0.018	55	0.712	-35
300	0.233	-60	5.3	89	0.024	81	0.728	-46
400	0.212	-68	3.88	80	0.032	55	0.723	-60
500	0.184	-76	3.36	80	0.037	49	0.711	-73
600	0.173	-79	2.97	69	0.043	46	0.717	-86
700	0.192	-89	2.39	61	0.044	44	0.72	-100
800	0.165	-96	1.89	57	0.055	43	0.731	-115
900	0.261	-121	2.72	60	0.068	29	0.746	-131
1000	0.083	149	1.27	39	0.064	18	0.749	-148

PACKAGE STYLE M244



TO-72

	MINIMUM INCHES/MM	MAXIMUM INCHES/MM		MINIMUM INCHES/MM	MAXIMUM INCHES/MM
A	.020/0,51	.048/1,22			
B	.036/0,91	.046/1,17			
C	.209/5,31	.230/5,84			
D	.178/4,52	.195/4,95			
E	.016/0,41	.020/0,51			
F	.100/2,54				
G	.170/4,32	.210/5,33			
H	.500/12,70				