



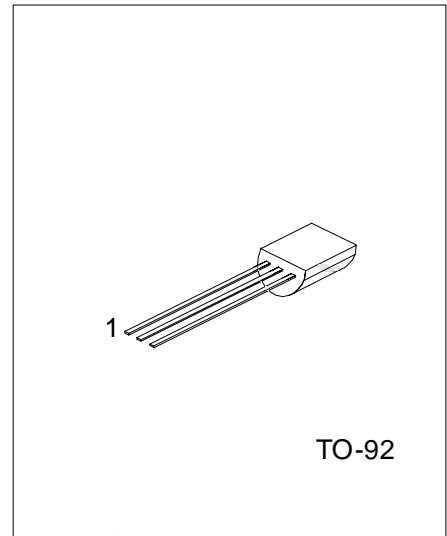
2N3904

NPN SILICON TRANSISTOR

NPN GENERAL PURPOSE AMPLIFIER

FEATURES

- * Collector-Emitter Voltage: $V_{CEO}=40V$
- * Collector Dissipation: $P_{C(MAX)}=625mW$
- * Complementary to 2N3906



*Pb-free plating product number: 2N3904L

ORDERING INFORMATION

Order Number		Package	Pin Assignment			Packing
Normal	Lead Free Plating		1	2	3	
2N3904-T92-B	2N3904L-T92-B	TO-92	E	B	C	Tape Box
2N3904-T92-K	2N3904L-T92-K	TO-92	E	B	C	Bulk

<p>2N3904L-T92-B</p> <p>(1) Packing Type</p> <p>(2) Package Type</p> <p>(3) Lead Plating</p>	<p>(1) B: Tape Box, K: Bulk</p> <p>(2) T92: TO-92</p> <p>(3) L: Lead Free Plating, Blank: Pb/Sn</p>
--	---

■ ABSOLUTE MAXIMUM RATING (Ta=25)

PARAMETER	SYMBOL	RATINGS	UNIT
Collector-Base Voltage	V _{CBO}	60	V
Collector-Emitter Voltage	V _{CEO}	40	V
Emitter-Base Voltage	V _{EBO}	6	V
Collector Current	I _C	200	mA
Collector Dissipation	P _C	625	mW
Junction Temperature	T _J	150	
Operating and Storage Temperature	T _{STG}	-55 ~ +150	

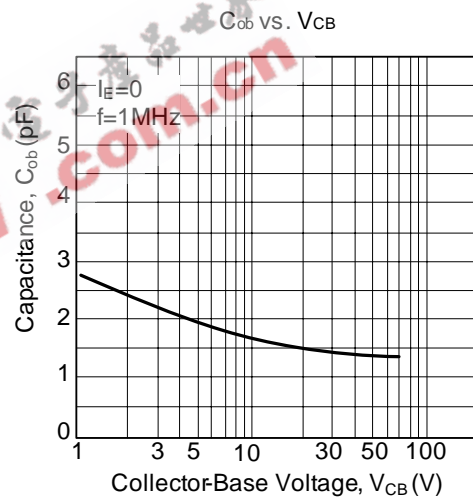
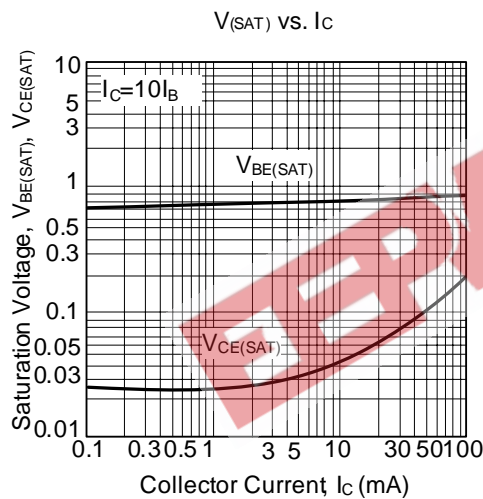
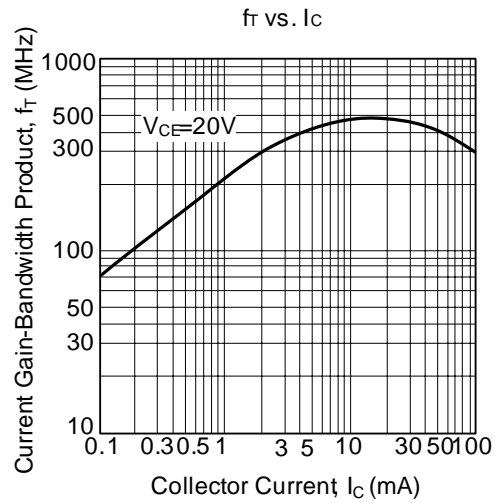
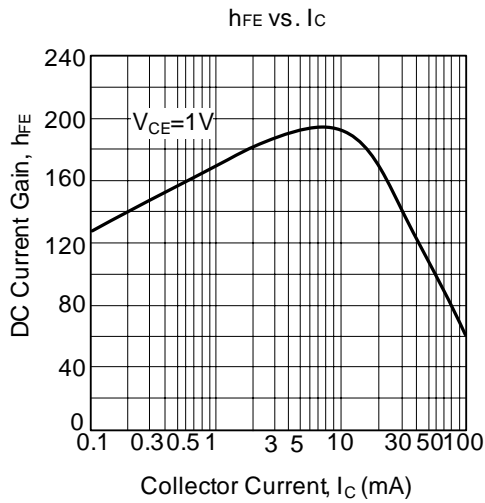
Note Absolute maximum ratings are those values beyond which the device could be permanently damaged. Absolute maximum ratings are stress ratings only and functional device operation is not implied.

■ ELECTRICAL CHARACTERISTICS (Ta=25 , unless otherwise specified)

PARAMETER	SYMBOL	TEST CONDITIONS	MIN	TYP	MAX	UNIT
Collector-Base Breakdown Voltage	BV _{CBO}	I _C =10μA, I _E =0	60			V
Collector-Emitter Breakdown Voltage (note)	BV _{CEO}	I _C =1mA, I _B =0	40			V
Emitter-Base Breakdown Voltage	BV _{EBO}	I _E =10μA, I _C =0	6			V
Collector-Emitter Saturation Voltage (note)	V _{CE(SAT)1}	I _C =10mA, I _B =1mA			0.2	V
	V _{CE(SAT)2}	I _C =50mA, I _B =5mA			0.3	
Base-Emitter Saturation Voltage (note)	V _{BE(SAT)1}	I _C =10mA, I _B =1mA	0.65		0.85	V
	V _{BE(SAT)2}	I _C =50mA, I _B =5mA			0.95	
Collector Cut-off Current	I _{CBO}	V _{CE} =30V, V _{EB} =3V			50	nA
Base Cut-off Current	I _{BL}	V _{CE} =30V, V _{EB} =3V			50	nA
DC Current Gain (note)	h _{FE1}	V _{CE} =1V, I _C =0.1mA	40			
	h _{FE2}	V _{CE} =1V, I _C =1mA	70			
	h _{FE3}	V _{CE} =1V, I _C =10mA	100		300	
	h _{FE4}	V _{CE} =1V, I _C =50mA	60			
	h _{FE5}	V _{CE} =1V, I _C =100mA	30			
Current Gain Bandwidth Product	f _T	V _{CE} =20V, I _C =10mA, f=100MHz	300			MHz
Output Capacitance	C _{ob}	V _{CB} =5V, I _E =0, f=1MHz			4	pF
Turn on Time	t _{ON}	V _{CC} =3V, V _{BE} =0.5V, I _C =10mA, I _{B1} =1mA			70	ns
Turn off Time	t _{OFF}	I _{B1} =1mA, I _{B2} =1mA			250	ns

Note: Pulse test: Pulse Width 300μs, Duty Cycle 2%

TYPICAL CHARACTERISTICS



UTC assumes no responsibility for equipment failures that result from using products at values that exceed, even momentarily, rated values (such as maximum ratings, operating condition ranges, or other parameters) listed in products specifications of any and all UTC products described or contained herein. UTC products are not designed for use in life support appliances, devices or systems where malfunction of these products can be reasonably expected to result in personal injury. Reproduction in whole or in part is prohibited without the prior written consent of the copyright owner. The information presented in this document does not form part of any quotation or contract, is believed to be accurate and reliable and may be changed without notice.