



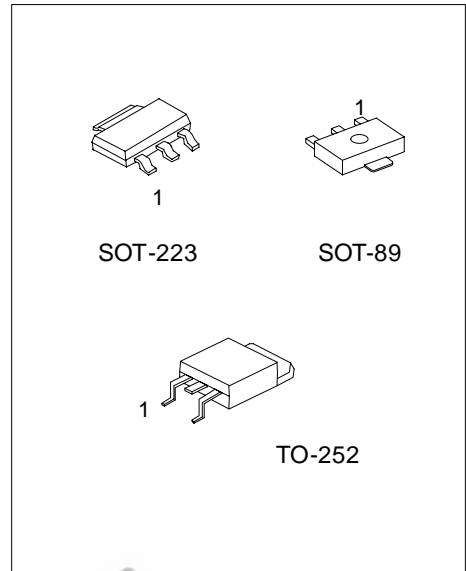
## 2SA1797

## PNP SILICON TRANSISTOR

### POWER TRANSISTOR

#### FEATURES

- \* Low saturation voltage.  
 $V_{CE(SAT)} = -0.35V(\text{Max})$  at  $I_C / I_B = -1A / -50mA$
- \* Excellent DC current gain characteristics



\*Pb-free plating product number:2SA1797L

#### ORDERING INFORMATION

Order Number		Package	Pin Assignment			Packing
Normal	Lead Free Plating		1	2	3	
2SA1797-x-AA3-R	2SA1797L-x-AA3-R	SOT-223	B	C	E	Tape Reel
2SA1797-x-AB3-R	2SA1797L-x-AB3-R	SOT-89	B	C	E	Tape Reel
2SA1797-x-TN3-R	2SA1797L-x-TN3-R	TO-252	B	C	E	Tape Reel
2SA1797-x-TN3-T	2SA1797L-x-TN3-T	TO-252	B	C	E	Tube

<p>2SA1797L-x-AA3-R</p>	<p>(1) Packing Type (2) Package Type (3) Rank (4) Lead Plating</p>	<p>(1) R: Tape Reel, T: Tube (2) AA3: SOT-223, AB3: SOT-89, TN3: TO-252 (3) refer to Classification of <math>h_{FE}</math> (4) L: Lead Free Plating, Blank: Pb/Sn</p>
-------------------------	--	---

■ ABSOLUTE MAXIMUM RATINGS (Ta=25°C)

PARAMETER		SYMBOL	RATINGS	UNIT
Collector-Base Voltage		$V_{CBO}$	-50	V
Collector-Emitter Voltage		$V_{CEO}$	-50	V
Emitter-Base Voltage		$V_{EBO}$	-6	V
Collector Power Dissipation	SOT-223	$P_c$	0.8	
	SOT-89		0.5	W
	TO-252		1.9	W
Collector Current	DC	$I_c$	-2	A
	PULSE(Note 1)		-5	A
Junction Temperature		$T_J$	150	°C
Storage Temperature		$T_{STG}$	-55 ~ +150	°C

Note: 1. Single pulse,  $P_W=10ms$

2. Absolute maximum ratings are those values beyond which the device could be permanently damaged. Absolute maximum ratings are stress ratings only and functional device operation is not implied.

■ ELECTRICAL CHARACTERISTICS (Ta=25°C, unless otherwise specified)

PARAMETER	SYMBOL	TEST CONDITIONS	MIN	TYP	MAX	UNIT
Collector-base Breakdown Voltage	$BV_{CBO}$	$I_C = -50\mu A$	-50			V
Collector-emitter Breakdown Voltage	$BV_{CEO}$	$I_C = -1mA$	-50			V
Emitter-base Breakdown Voltage	$BV_{EBO}$	$I_E = -50\mu A$	-6			V
Collector Cutoff Current	$I_{CBO}$	$V_{CB} = -50V$			-0.1	$\mu A$
Emitter Cutoff Current	$I_{EBO}$	$V_{EB} = -5V$			-0.1	$\mu A$
Collector-emitter Saturation Voltage	$V_{CE(SAT)}$	$I_C/I_B = -1A/-50mA$ (Note)		-0.15	-0.35	V
DC Current Gain	$h_{FE}$	$V_{CE} = -2V, I_C = -0.5A$ (Note)	120		400	
Transition Frequency	$f_T$	$V_{CE} = -2V, I_E = 0.5A, f = 100MHz$		200		MHz
Output Capacitance	$C_{ob}$	$V_{CB} = -10V, I_E = 0A, f = 1MHz$		36		pF

Note: Measured using pulse current.

■ CLASSIFICATION OF  $h_{FE}$

RANK	A	B
RANGE	120-240	200-400

UTC assumes no responsibility for equipment failures that result from using products at values that exceed, even momentarily, rated values (such as maximum ratings, operating condition ranges, or other parameters) listed in products specifications of any and all UTC products described or contained herein. UTC products are not designed for use in life support appliances, devices or systems where malfunction of these products can be reasonably expected to result in personal injury. Reproduction in whole or in part is prohibited without the prior written consent of the copyright owner. The information presented in this document does not form part of any quotation or contract, is believed to be accurate and reliable and may be changed without notice.