

2SA1670

Silicon PNP Epitaxial Planar

T-33-21

☆ Complement to type 2SC4385

Application Example :

Audio and General Purpose

● Outline Drawing 5FM100

Absolute Maximum Ratings (Ta=25°C)

Symbol	2SA1670	Unit
Vcbo	-80	V
Vceo	-80	V
Vebo	-6	V
Ic	-6	A
Ib	-3	A
Pc	60 (Tc = 25°C)	W
Tj	150	°C
Tstg	-55~+150	°C

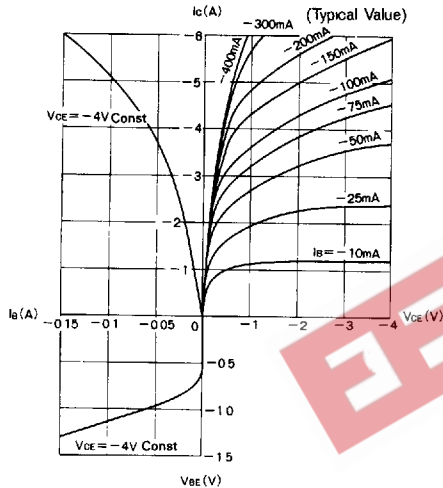
Electrical Characteristics (Ta=25°C)

Symbol	Conditions	2SA1670	Unit
Icbo	VcB=-80V	-10max	μA
Iebo	VEB=-6V	-10min	μA
VBRCEO	Ic = -50mA	-80min	V
hFE	VCE=-4V, Ic=-2A	50min	
VCE(sat)	Ic = -2A, IB=-0.2A	-1.5max	V
fT	VCE=-12V, IE=0.5A	20typ	MHz

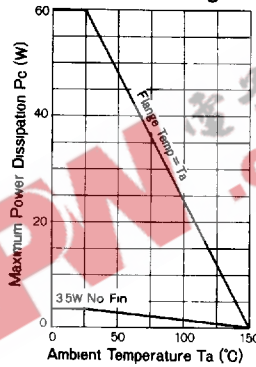
Typical Switching Characteristics (Common Emitter)

Vcc (V)	R _L (Ω)	Ic (A)	VBB1 (V)	VBB2 (V)	IB1 (A)	IB2 (A)	ton (μs)	tstg (μs)	tr (μs)
-30	10	-3	-10	5	-0.3	0.3	0.25typ	0.5typ	0.1typ

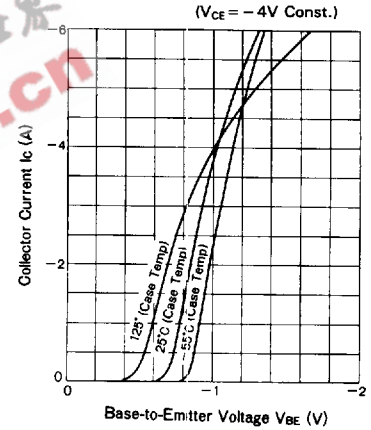
Common Emitter Characteristics



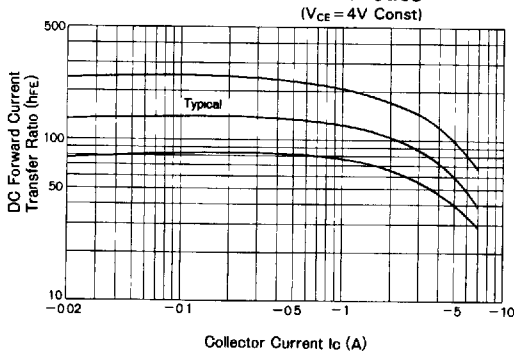
Power Derating



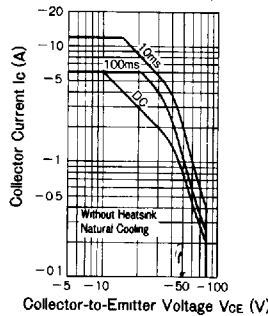
Temperature Characteristics



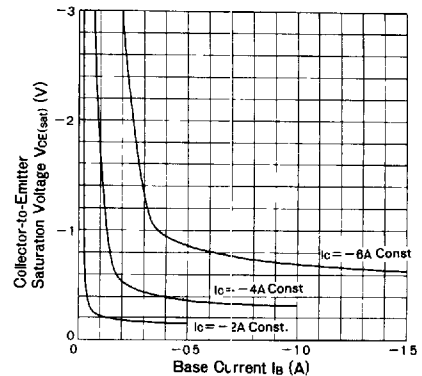
DC Current Gain Characteristics



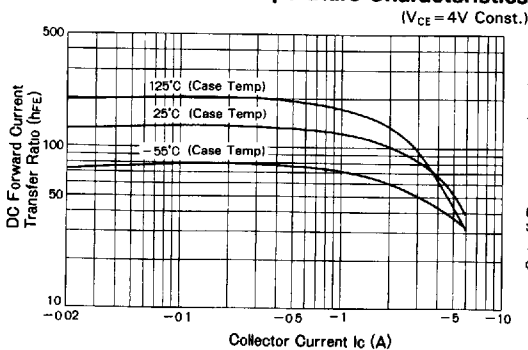
Maximum Areas For Safe Operation (ASO) (Single Pulse)



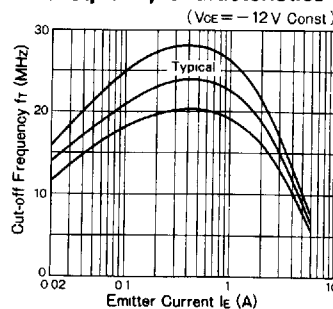
VCE(sat) - Ib Characteristics (Typical Value)



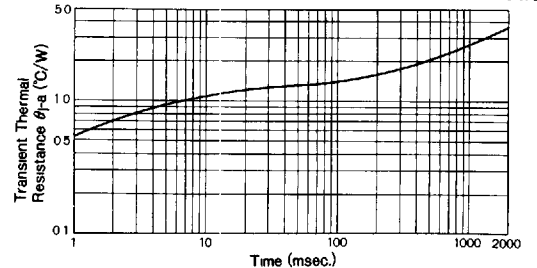
DC Current Gain Temperature Characteristics



Frequency Characteristics



Transient Thermal Resistance Characteristics



T-91-20

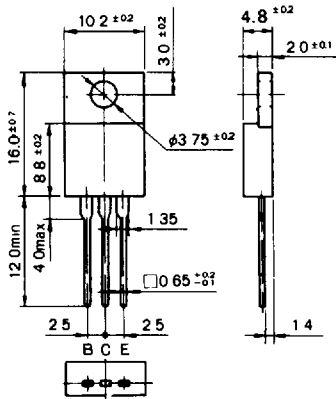
Outline Drawings/Accessories

Outline Drawing

- Nonflammability: UL94V-0 or equivalent
- Unit: in mm

Outline Drawing 1

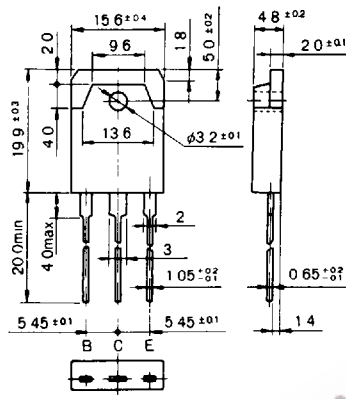
MT-25(TO220)



Weight: Approx. 2.6 g

Outline Drawing 2

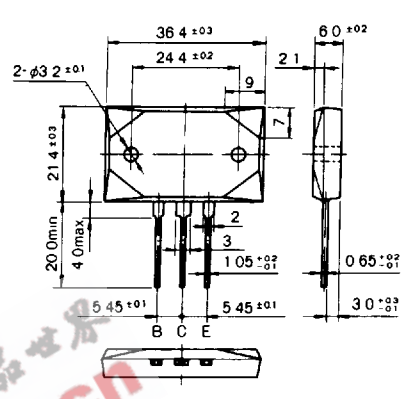
MT-100(TO3P)



Weight: Approx. 6.0 g

Outline Drawing 3

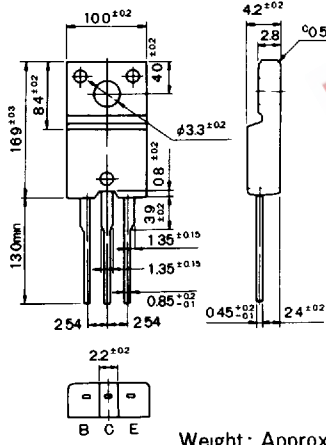
MT-200



Weight: Approx. 18.4 g

Outline Drawing 4

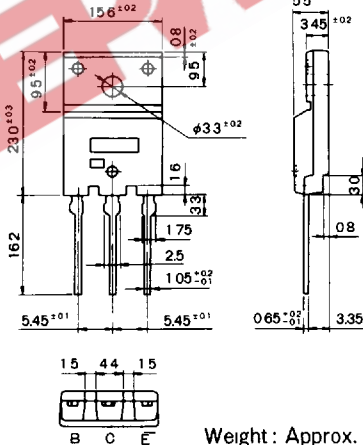
FM20 (Full Mold)



Weight: Approx. 2.0 g

Outline Drawing 5

FM100 (Full Mold)



Weight: Approx. 6.5 g

Accessories

☆Sanken Transistors do not include accessories. Accessories may be attached at a cost if requested.

☆Sanken transistor case is a standard size, and can replace any generally sold product.

- Heatsink: Mica, with a thickness of 0.06 mm, +0.045 -0.005 allowance

- Insulation Bush for MT-25(TO220)

Type Name: Molded (10) Mica

Type Name: Molded (14) Mica

Type Name: Molded (9) Mica

