

2SA2042

Silicon PNP Epitaxial Planar Transistor

Application : Audio and General Purpose

■Absolute maximum ratings (Ta=25°C)

Symbol	Ratings	Unit
V _{CB0}	- 50	V
V _{CEO}	- 50	V
V _{EBO}	- 6	V
I _C	- 10(pulse - 20)	A
I _B	- 3	A
P _C	30(T _C = 25°C)	W
T _J	150	°C
T _{stg}	- 55 to + 150	°C

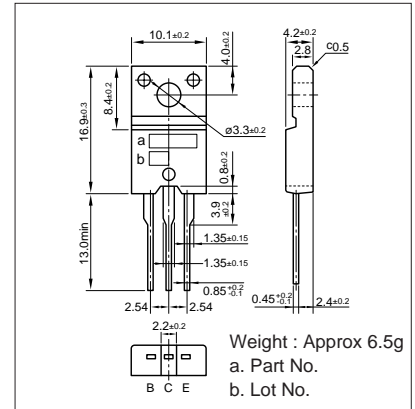
■Electrical Characteristics (Ta=25°C)

Symbol	Conditions	Ratings	Unit
I _{CB0}	V _{CB} = - 50V	- 10max	μA
I _{EBO}	V _{EB} = - 6V	- 10max	μA
V _{(BR)CEO}	I _C = - 25mA	- 50min	V
h _{FE}	V _{CE} = - 2V, I _C = - 1A	130 ~ 310	
V _{CE(sat)}	I _C = - 5A, I _B = - 0.1A	- 0.5max	V
f _T	V _{CE} = - 12V, I _E = 0.5A	60typ	MHz
C _{OB}	V _{CB} = - 10V, f = 1MHz	375typ	pF

■Typical Switching Characteristics (Common Emitter)

V _{CC} (V)	R _L (Ω)	I _C (A)	V _{BB1} (V)	V _{BB2} (V)	I _{B1} (mA)	I _{B2} (mA)	t _{on} (μs)	t _{stg} (μs)	t _f (μs)
-20	4	-5	-10	5	-100	100	0.2typ	0.7typ	0.1typ

External Dimensions FM20(TO220F)



EEPW 电子产品世界 .com.cn