

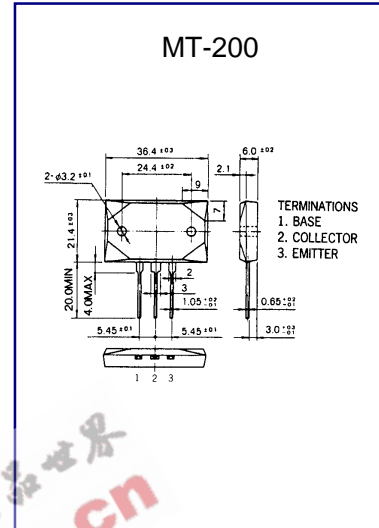


**2SA1215**

**PNP PLANAR SILICON TRANSISTOR**

**AUDIO POWER AMPLIFIER  
DC TO DC CONVERTER**

- High Current Capability
- High Power Dissipation
- Complementary to 2SC2921



**ABSOLUTE MAXIMUM RATING (Ta=25°C)**

Characteristic	Symbol	Rating	Unit
Collector-Base Voltage	VCBO	-160	V
Collector-Emitter Voltage	VCEO	-160	V
Emitter-Base voltage	VEBO	-6	V
Collector Current (DC)	IC	-15	A
Collector Dissipation	PC	150	W
Junction Temperature	Tj	150	°C
Storage Temperature	Tstg	-50~150	°C

**ELECTRICAL CHARACTERISTICS (Ta=25°C)**

Characteristic	Symbol	Test Condition	Min	Typ	Max	Unit
Collector Base Breakdown Voltage	BVCBO	IC=-10 mA IE=0	-160			V
Collector Emitter Breakdown Voltage	BVCEO	IC=-5 mA RBE=∞	-160			V
Emitter Base Breakdown Voltage	BVEBO	IE=-4mA IC=0	-6			V
Collector Cutoff Current	ICBO	VCE=-80V IE=0			-0.1	mA
Emitter Cutoff Current	IEBO	VEB=-4V IC=0			-0.1	mA
*DC Current Gain	hFE1	VCE=-5V IC=-1A	50		150	
DC Current Gain	hFE2	VCE=-4V IC=-5A	50			
Collector- Emitter Saturation Voltage	VCE(sat)	IC=-5A IB=-0.5A			-2.0	V