



Micro Commercial Components

Micro Commercial Components  
 20736 Marilla Street Chatsworth  
 CA 91311  
 Phone: (818) 701-4933  
 Fax: (818) 701-4939

# 2SC1623-L6 2SC1623-L7

## Features

- High DC Current Gain:  $h_{FE}=600$  Max. ( $V_{CE}=6.0V$ ,  $I_C=1.0mA$ )
- High voltage:  $V_{CEO}=50V$
- Case Material: Molded Plastic. UL Flammability Classification Rating 94V-0

## Maximum Ratings

Symbol	Rating	Rating	Unit
$V_{CEO}$	Collector-Emitter Voltage	50	V
$V_{CBO}$	Collector-Base Voltage	60	V
$V_{EBO}$	Emitter-Base Voltage	5.0	V
$I_C$	Collector Current	100	mA
$P_C$	Collector power dissipation	200	mW
$T_J$	Junction Temperature	-55 to +150	°C
$T_{STG}$	Storage Temperature	-55 to +150	°C

## NPN Silicon Epitaxial Transistors

## Electrical Characteristics @ 25°C Unless Otherwise Specified

Symbol	Parameter	Min	Typ	Max	Units
<b>OFF CHARACTERISTICS</b>					
$I_{CBO}$	Collector Cutoff Current ( $V_{CB}=60Vdc, I_E=0$ )	---	---	0.1	$\mu A_{dc}$
$I_{EBO}$	Emitter Cutoff Current ( $V_{EB}=5.0Vdc, I_C=0$ )	---	---	0.1	$\mu A_{dc}$

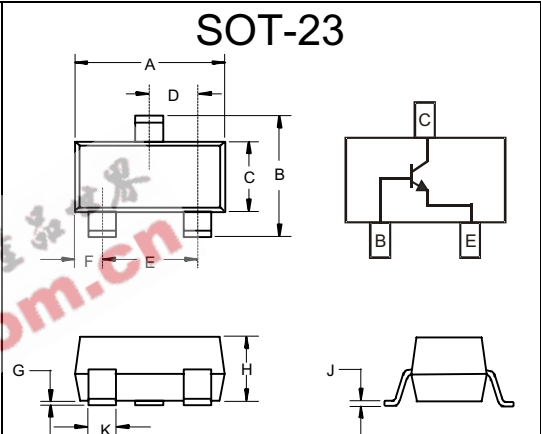
## ON CHARACTERISTICS

$h_F$	DC Current Gain* ( $I_C=1.0mA_{dc}, V_{CE}=6.0Vdc$ )	200	---	600	---
$V_{CE(sat)}$	Collector Saturation Voltage* ( $I_C=100mA_{dc}, I_B=10mA_{dc}$ )	---	0.15	0.3	Vdc
$V_{BE(SAT)}$	Base Saturation Voltage* ( $I_C=100mA_{dc}, I_B=10mA_{dc}$ )	---	0.86	1.0	Vdc
$V_{BE}$	Base Emitter Voltage* ( $V_{CE}=6.0Vdc, I_C=1.0mA_{dc}$ )	0.55	0.62	0.65	Vdc
$C_{ob}$	Collector Capacitance ( $V_{CB}=6.0Vdc, I_E=0, f=1.0MHz$ )	---	3.0	---	pF
$f_T$	Gain Bandwidth product ( $V_{CE}=6.0Vdc, I_E=10mA_{dc}$ )	---	250	---	MHz

## $h_{FE}$ CLASSIFICATION

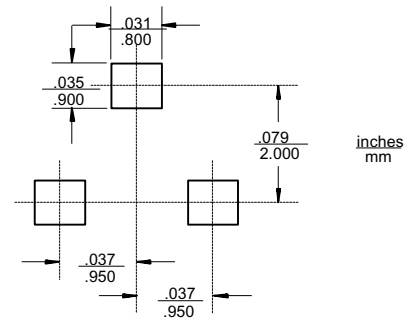
Marking	L6	L7
$h_{FE}$	200-400	400-600

\* Pulse Test  $PW < 350\mu s$ , duty cycle  $< 2\%$



DIM	INCHES		MM		NOTE
	MIN	MAX	MIN	MAX	
A	.110	.120	2.80	3.04	
B	.083	.098	2.10	2.64	
C	.047	.055	1.20	1.40	
D	.035	.041	.89	1.03	
E	.070	.081	1.78	2.05	
F	.018	.024	.45	.60	
G	.0005	.0039	.013	.100	
H	.035	.044	.89	1.12	
J	.003	.007	.085	.180	
K	.015	.020	.37	.51	

## Suggested Solder Pad Layout





Micro Commercial Components

**\*\*\*IMPORTANT NOTICE\*\*\***

*Micro Commercial Components Corp.* reserves the right to make changes without further notice to any product herein to make corrections, modifications, enhancements, improvements, or other changes. *Micro Commercial Components Corp.* does not assume any liability arising out of the application or use of any product described herein; neither does it convey any license under its patent rights, nor the rights of others. The user of products in such applications shall assume all risks of such use and will agree to hold *Micro Commercial Components Corp.* and all the companies whose products are represented on our website, harmless against all damages.

**\*\*\*APPLICATIONS DISCLAIMER\*\*\***

Products offer by *Micro Commercial Components Corp.* are not intended for use in Medical, Aerospace or Military Applications.

EEPW.com.cn 电子世界

---

[www.mccsemi.com](http://www.mccsemi.com)