



## 2SC2688

## NPN EPITAXIAL SILICON TRANSISTOR

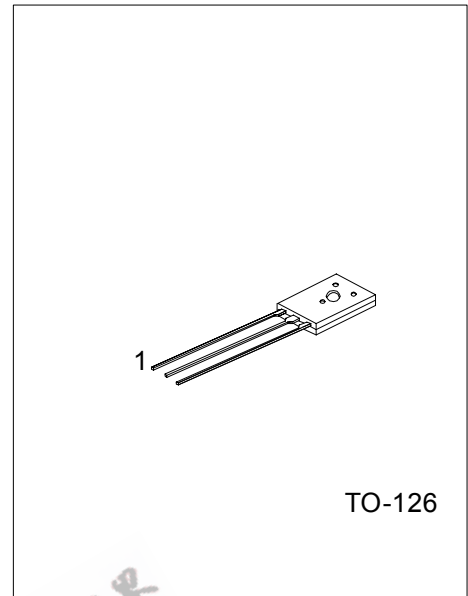
### NPN SILICON TRANSISTOR

#### DESCRIPTION

The UTC 2SC2688 is designed for use in Color TV chroma output circuits.

#### FEATURES

- \* High Electrostatic-Discharge-Resistance.  
ESDR: 1000V TYP. (E-B reverse bias, C=2300pF)
- \* Low  $C_{re}$ , High  $f_T$   
 $C_{re} \leq 3.0$  pF ( $V_{CB}=30V$ )  
 $f_T \geq 50$  MHz ( $V_{CE}=30V, I_E=-10mA$ )



\*Pb-free plating product number: 2SC2688L

#### ORDERING INFORMATION

Order Number		Package	Pin Assignment			Packing
Normal	Lead Free Plating		1	2	3	
2SC2688-x-T60-A-K	2SC2688L-x-T60-A-K	TO-126	E	C	B	Bulk

<p>2SC2688L-x-T60-A-K</p> <ul style="list-style-type: none"> <li>(1) Packing Type</li> <li>(2) Pin Assignment</li> <li>(3) Package Type</li> <li>(4) Rank</li> <li>(5) Lead Plating</li> </ul>	<ul style="list-style-type: none"> <li>(1) K: Bulk</li> <li>(2) refer to Pin Assignment</li> <li>(3) T60: TO-126</li> <li>(4) x: refer to Classification of <math>h_{FE}</math></li> <li>(5) L: Lead Free Plating, Blank: Pb/Sn</li> </ul>
--	--

### ■ ABSOLUTE MAXIMUM RATING

PARAMETER	SYMBOL	RATINGS	UNIT	
Collector to Base Voltage	$V_{CBO}$	300	V	
Collector to Emitter Voltage	$V_{CEO}$	300	V	
Emitter to Base Voltage	$V_{EBO}$	5.0	V	
Collector Current	$I_C$	200	mA	
Total Power Dissipation	$P_D$	$T_a=25^\circ\text{C}$	1.25	W
		$T_C=25^\circ\text{C}$	10	W
Junction Temperature	$T_J$	150	$^\circ\text{C}$	
Storage Temperature	$T_{STG}$	-55 ~ +150	$^\circ\text{C}$	

Note Absolute maximum ratings are those values beyond which the device could be permanently damaged. Absolute maximum ratings are stress ratings only and functional device operation is not implied.

### ■ ELECTRICAL CHARACTERISTICS ( $T_a=25^\circ\text{C}$ )

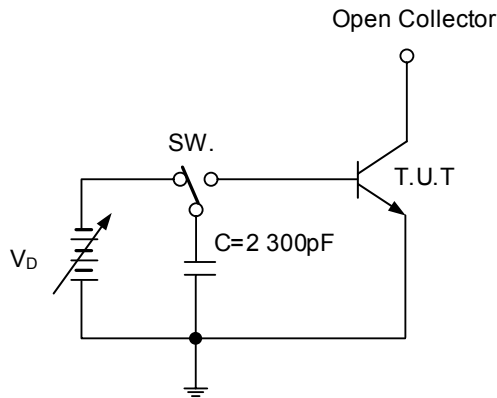
PARAMETER	SYMBOL	TEST CONDITIONS	MIN	TYP	MAX	UNIT
Collector Saturation Voltage	$V_{CE(SAT)}$	$I_C=20\text{mA}, I_B=5.0\text{mA}$			1.5	V
Collector Cutoff Current	$I_{CBO}$	$V_{CB}=200\text{V}, I_E=0$			100	nA
Emitter Cutoff Current	$I_{EBO}$	$V_{EB}=5.0\text{V}, I_C=0$			100	nA
DC Current Gain	$h_{FE}$	$V_{CE}=10\text{V}, I_C=10\text{mA}$	40	80	250	
Gain Bandwidth Product	$f_T$	$V_{CE}=30\text{V}, I_E=-10\text{mA}$	50	80		MHz
Feedback Capacitance	$C_{re}$	$V_{CB}=30\text{V}, I_E=0, f=1.0\text{MHz}$			3	pF

Note 1. \* Pulsed PW  $\leq 350\mu\text{s}$ , Duty Cycle  $\leq 2\%$

### ■ CLASSIFICATION OF $h_{FE}$

Rank	N	M	L	K
Range	40 ~ 80	60 ~ 120	100 ~ 200	16 ~ 250

## ■ BURNOUT TEST CIRCUIT BY DISCHARGE OF CAPACITOR



### TEST CONDITION

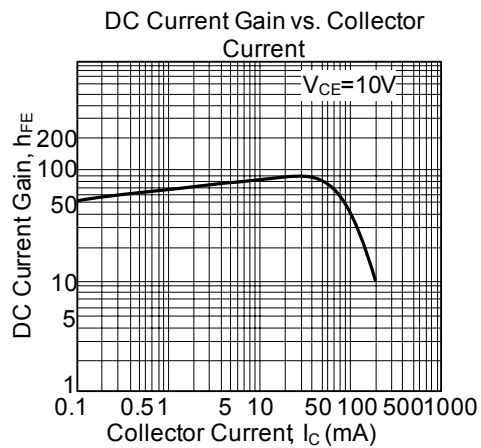
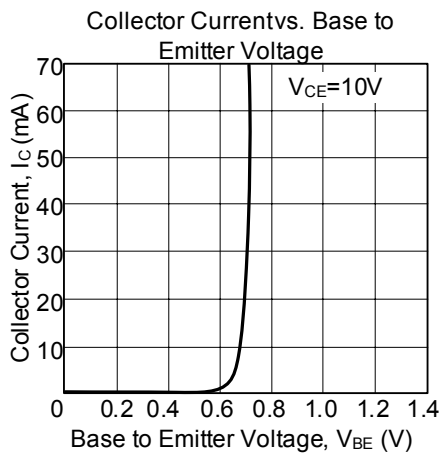
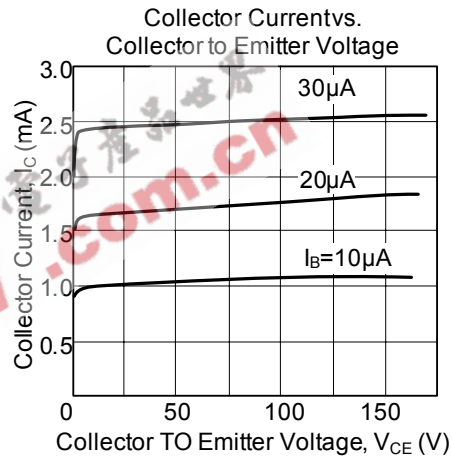
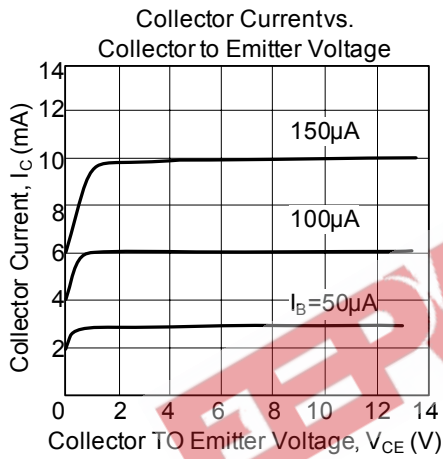
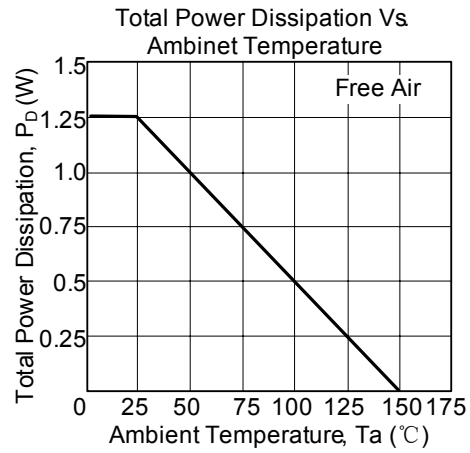
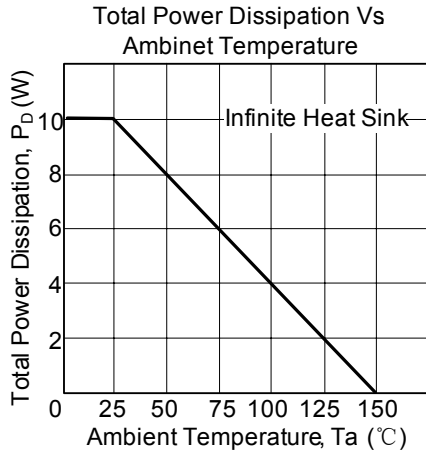
1. E-B reverse bias
2.  $C=2300\text{pF}$
3. Apply on shot pulse to T.U.T. (Transistor Under the Test) by SW.

### JUDGEMENT

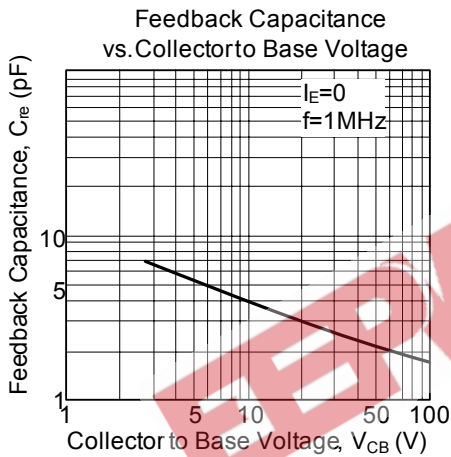
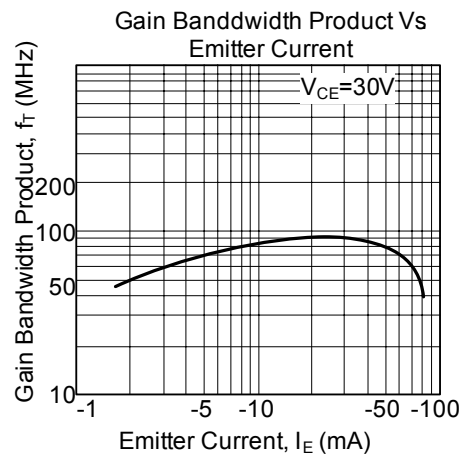
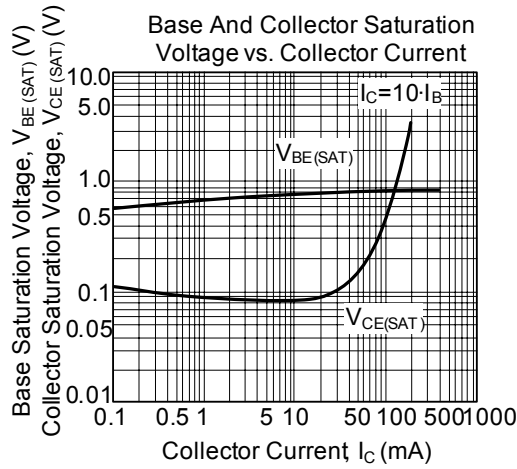
Reject,  $BV_{EBO}$  waveform defect  
As a result if T.U.T. is not rejected,  
apply higher voltage to capacitor and  
test again.

EEPW.com.cn 電子產品世界

## ■ TYPICAL CHARACTERISTICS (Ta=25°C)



## TYPICAL CHARACTERISTICS



UTC assumes no responsibility for equipment failures that result from using products at values that exceed, even momentarily, rated values (such as maximum ratings, operating condition ranges, or other parameters) listed in products specifications of any and all UTC products described or contained herein. UTC products are not designed for use in life support appliances, devices or systems where malfunction of these products can be reasonably expected to result in personal injury. Reproduction in whole or in part is prohibited without the prior written consent of the copyright owner. The information presented in this document does not form part of any quotation or contract, is believed to be accurate and reliable and may be changed without notice.