

DATA SHEET

74LVC2373A

74LVCH2373A

Octal D-type transparent latch with 5-volt tolerant inputs/outputs; damping resistor (3-State)

Product specification

1997 Mar 12

IC24 Data Handbook

Octal D-type transparent latch with 5-volt tolerant inputs/outputs; damping resistor (3-State)

74LVC2373A 74LVCH2373A

FEATURES

- 5-volt tolerant inputs/outputs, for interfacing with 5-volt logic
- Supply voltage range of 2.7V to 3.6V
- Complies with JEDEC standard no. 8-1A
- CMOS low power consumption
- Direct interface with TTL levels
- High impedance when $V_{CC} = 0V$
- Bushold on all data inputs (74LVCH2373A only)
- Integrated 30Ω damping resistor

DESCRIPTION

The 74LVC2373A/74LVCH2373A is a high performance, low-power, low-voltage Si-gate CMOS device and superior to most advanced CMOS compatible TTL families. Inputs can be driven from either 3.3V or 5V devices. This feature allows the use of these devices as translators in a mixed 3.3V/5V environment.

The 74LVC2373A/74LVCH2373A is an octal D-type transparent latch featuring separate D-type inputs for each latch and 3-State outputs for bus oriented applications. A latch enable (LE) input and an output enable (\overline{OE}) input are common to all internal latches.

The '2373' consists of eight D-type transparent latches with 3-State true outputs. When LE is HIGH, data at the Dn inputs enters the latches. In this condition the latches are transparent, i.e., a latch output will change each time its corresponding D-input changes.

When LE is LOW the latches store the information that was present at the D-inputs a set-up time preceding the HIGH-to-LOW transition of LE. When \overline{OE} is LOW, the contents of the eight latches are available at the outputs. When \overline{OE} is HIGH, the outputs go to the high impedance OFF-state. Operation of the \overline{OE} input does not affect the state of the latches.

QUICK REFERENCE DATA

GND = 0V; $T_{amb} = 25^{\circ}C$; $t_r = t_f \leq 2.5$ ns

SYMBOL	PARAMETER	CONDITIONS	TYPICAL	UNIT
t_{PHL}/t_{PLH}	Propagation delay Dn to Qn LE to Qn	$C_L = 50$ pF $V_{CC} = 3.3$ V	4.4 5.0	ns
C_I	Input capacitance		5.0	pF
C_{PD}	Power dissipation capacitance per latch	Notes 1, 2	20	pF

NOTES:

1. C_{PD} is used to determine the dynamic power dissipation (P_D in μW)
 $P_D = C_{PD} \times V_{CC}^2 \times f_i + \sum (C_L \times V_{CC}^2 \times f_o)$ where:
 f_i = input frequency in MHz; C_L = output load capacity in pF;
 f_o = output frequency in MHz; V_{CC} = supply voltage in V;
 $\sum (C_L \times V_{CC}^2 \times f_o)$ = sum of the outputs.
2. The condition is $V_I = GND$ to V_{CC} .

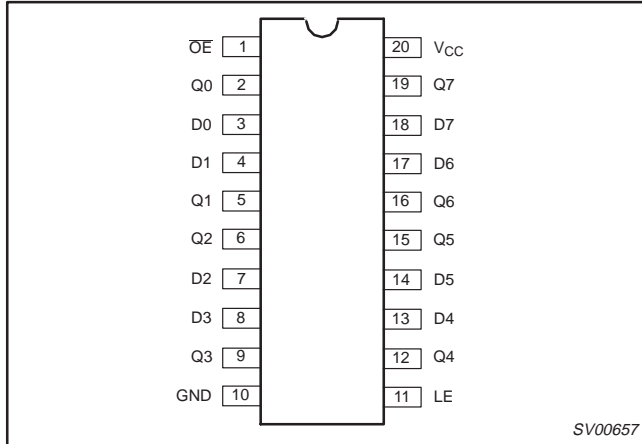
ORDERING AND PACKAGE INFORMATION

PACKAGES	TEMPERATURE RANGE	OUTSIDE NORTH AMERICA	NORTH AMERICA	PKG. DWG. #
20-Pin Plastic SO	$-40^{\circ}C$ to $+85^{\circ}C$	74LVC2373A D	74LVC2373A D	SOT163-1
20-Pin Plastic SSOP Type II	$-40^{\circ}C$ to $+85^{\circ}C$	74LVC2373A DB	74LVC2373A DB	SOT339-1
20-Pin Plastic TSSOP Type I	$-40^{\circ}C$ to $+85^{\circ}C$	74LVC2373A PW	LVC2373APW DH	SOT360-1
20-Pin Plastic SO	$-40^{\circ}C$ to $+85^{\circ}C$	74LVCH2373A D	74LVCH2373A D	SOT163-1
20-Pin Plastic SSOP Type II	$-40^{\circ}C$ to $+85^{\circ}C$	74LVCH2373A DB	7LVCH2373A DB	SOT339-1
20-Pin Plastic TSSOP Type I	$-40^{\circ}C$ to $+85^{\circ}C$	74LVCH2373A PW	VCH2373APW DH	SOT360-1

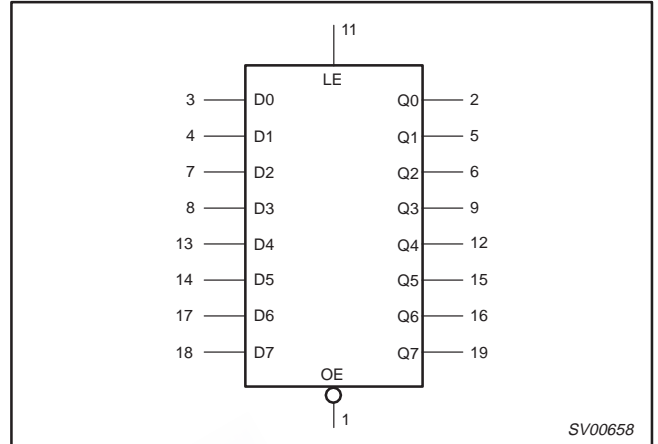
Octal D-type transparent latch with 5-volt tolerant inputs/outputs; damping resistor (3-State)

74LVC2373A
74LVCH2373A

PIN CONFIGURATION



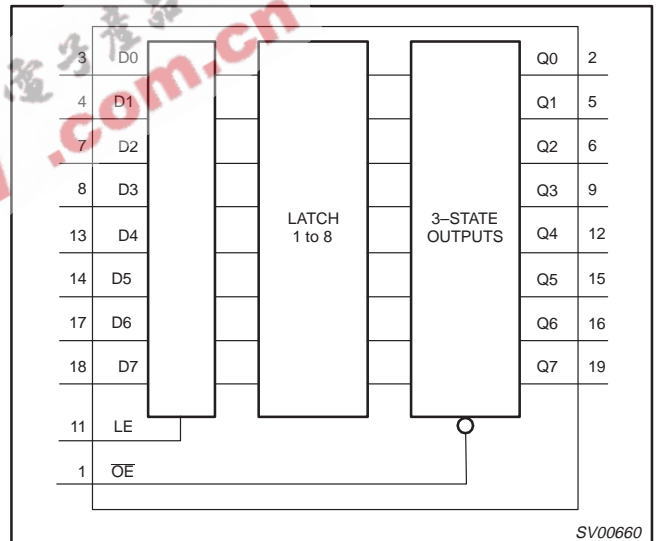
LOGIC SYMBOL



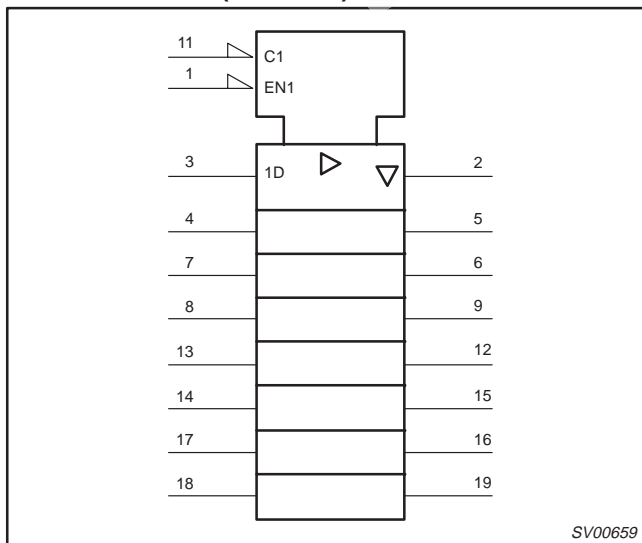
PIN DESCRIPTION

PIN NUMBER	SYMBOL	FUNCTION
1	\overline{OE}	Output enable input (active LOW)
2, 5, 6, 9, 12, 15, 16, 19	Q0-Q7	3-State latch outputs
3, 4, 7, 8, 13, 14, 17, 18	D0-D7	Data inputs
10	GND	Ground (0V)
11	LE	Latch enable input (active HIGH)
20	V _{CC}	Positive supply voltage

FUNCTIONAL DIAGRAM



LOGIC SYMBOL (IEEE/IEC)



FUNCTION TABLE

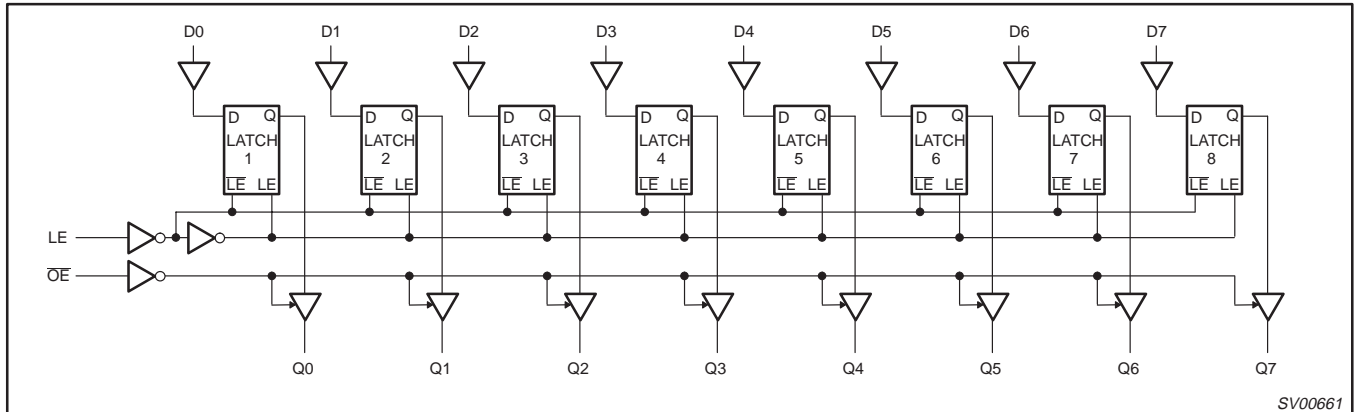
OPERATING MODES	INPUTS			INTERNAL LATCHES	OUTPUTS Q0 to Q7
	\overline{OE}	LE	D _n		
Enable and read register (transparent mode)	L	H	L	L	L
Latch and read register	L	L	l	L	L
Latch register and disable outputs	H	L	l	L	Z

- H = HIGH voltage level
- h = HIGH voltage level one set-up time prior to the HIGH-to-LOW LE transition
- L = LOW voltage level
- l = LOW voltage level one set-up time prior to the HIGH-to-LOW LE transition
- X = Don't care
- Z = High impedance OFF-state

Octal D-type transparent latch with 5-volt tolerant inputs/outputs; damping resistor (3-State)

74LVC2373A 74LVCH2373A

LOGIC DIAGRAM



RECOMMENDED OPERATING CONDITIONS

SYMBOL	PARAMETER	CONDITIONS	LIMITS		UNIT
			MIN	MAX	
V_{CC}	DC supply voltage (for max. speed performance)		2.7	3.6	V
V_{CC}	DC supply voltage (for low-voltage applications)		1.2	3.6	V
V_I	DC input voltage range		0	5.5	V
$V_{I/O}$	DC input voltage range for I/Os		0	V_{CC}	V
V_O	DC output voltage range		0	V_{CC}	V
T_{amb}	Operating free-air temperature range		-40	+85	°C
t_r, t_f	Input rise and fall times	$V_{CC} = 1.2$ to $2.7V$ $V_{CC} = 2.7$ to $3.6V$	0	20 10	ns/V

ABSOLUTE MAXIMUM RATINGS¹

In accordance with the Absolute Maximum Rating System (IEC 134).
Voltages are referenced to GND (ground = 0V).

SYMBOL	PARAMETER	CONDITIONS	RATING	UNIT
V_{CC}	DC supply voltage		-0.5 to +6.5	V
I_{IK}	DC input diode current	$V_I < 0$	-50	mA
V_I	DC input voltage	Note 2	-0.5 to +5.5	V
$V_{I/O}$	DC input voltage range for I/Os		-0.5 to $V_{CC} + 0.5$	V
I_{OK}	DC output diode current	$V_O > V_{CC}$ or $V_O < 0$	± 50	mA
V_{OUT}	DC output voltage; output HIGH or LOW	Note 2	-0.5 to $V_{CC} + 0.5$	V
V_{OUT}	DC output voltage; output 3-State	Note 2	-0.5 to +6.5	V
I_{OUT}	DC output source or sink current	$V_O = 0$ to V_{CC}	± 50	mA
I_{GND}, I_{CC}	DC V_{CC} or GND current		± 100	mA
T_{stg}	Storage temperature range		-60 to +150	°C
P_{TOT}	Power dissipation per package - plastic mini-pack (SO) - plastic shrink mini-pack (SSOP and TSSOP)	above +70°C derate linearly with 8 mW/K above +60°C derate linearly with 5.5 mW/K	500 500	mW

NOTES:

- Stresses beyond those listed may cause permanent damage to the device. These are stress ratings only and functional operation of the device at these or any other conditions beyond those indicated under "recommended operating conditions" is not implied. Exposure to absolute-maximum-rated conditions for extended periods may affect device reliability.
- The input and output voltage ratings may be exceeded if the input and output current ratings are observed.

Octal D-type transparent latch with 5-volt tolerant inputs/outputs; damping resistor (3-State)

74LVC2373A 74LVCH2373A

DC ELECTRICAL CHARACTERISTICS

Over recommended operating conditions. Voltages are referenced to GND (ground = 0V).

SYMBOL	PARAMETER	TEST CONDITIONS	LIMITS			UNIT
			Temp = -40°C to +85°C			
			MIN	TYP ¹	MAX	
V _{IH}	HIGH level Input voltage	V _{CC} = 1.2V	V _{CC}			V
		V _{CC} = 2.7 to 3.6V	2.0			
V _{IL}	LOW level Input voltage	V _{CC} = 1.2V			GND	V
		V _{CC} = 2.7 to 3.6V			0.8	
V _{OH}	HIGH level output voltage	V _{CC} = 3.0V; V _I = V _{IH} or V _{IL} ; I _O = -100μA	V _{CC} - 0.2	V _{CC}		V
		V _{CC} = 3.0V; V _I = V _{IH} or V _{IL} ; I _O = -12mA	V _{CC} - 0.6			
		V _{CC} = 3.0V; V _I = V _{IH} or V _{IL} ; I _O = -24mA	V _{CC} - 1.0			
V _{OH}	HIGH level output voltage	V _{CC} = 2.7V; V _I = V _{IH} or V _{IL} ; I _O = -6mA ⁷	V _{CC} - 0.5			V
		V _{CC} = 3.0V; V _I = V _{IH} or V _{IL} ; I _O = -100μA ⁷	V _{CC} - 0.2	V _{CC}		
		V _{CC} = 3.0V; V _I = V _{IH} or V _{IL} ; I _O = -12mA ⁷	V _{CC} - 0.8			
V _{OL}	LOW level output voltage	V _{CC} = 3.0V; V _I = V _{IH} or V _{IL} ; I _O = 100μA		GND	0.20	V
		V _{CC} = 3.0V; V _I = V _{IH} or V _{IL} ; I _O = 24mA			0.55	
V _{OL}	LOW level output voltage	V _{CC} = 2.7V; V _I = V _{IH} or V _{IL} ; I _O = 6mA ⁷			0.40	V
		V _{CC} = 3.0V; V _I = V _{IH} or V _{IL} ; I _O = 100μA ⁷		GND	0.20	
		V _{CC} = 3.0V; V _I = V _{IH} or V _{IL} ; I _O = 12mA ⁷			0.55	
I _I	Input leakage current	V _{CC} = 3.6V; V _I = 5.5V or GND Not for I/O pins		±0.1	±5	μA
I _{IHZ} /I _{ILZ}	Input current for common I/O pins	V _{CC} = 3.6V; V _I = V _{CC} or GND		±0.1	±15	μA
I _{OZ}	3-State output OFF-state current	V _{CC} = 3.6V; V _I = V _{IH} or V _{IL} ; V _O = V _{CC} or GND		0.1	±10	μA
I _{CC}	Quiescent supply current	V _{CC} = 3.6V; V _I = V _{CC} or GND; I _O = 0		0.1	20	μA
ΔI _{CC}	Additional quiescent supply current per input pin	V _{CC} = 2.7V to 3.6V; V _I = V _{CC} - 0.6V; I _O = 0		5	500	μA
I _{BHL}	Bushold LOW sustaining current ^{2, 3, 4}	V _{CC} = 3.0V; V _I = 0.8V	75	-	-	μA
I _{BHH}	Bushold HIGH sustaining current ^{2, 3, 4}	V _{CC} = 3.0V; V _I = 2.0V	-75	-	-	μA
I _{BHLO}	Bushold LOW overdrive current ^{2, 3, 5}	V _{CC} = 3.6V	500	-	-	μA
I _{BHHO}	Bushold HIGH overdrive current ^{2, 3, 5}	V _{CC} = 3.6V	-500	-	-	μA

NOTES:

- All typical values are at V_{CC} = 3.3V and T_{amb} = 25°C.
- Valid for data inputs of bushold parts (LVCH-A) only.
- For data inputs only, control inputs do not have a bushold circuit.
- The specified sustaining current at the data inputs do not have a bushold circuit.
- The specified overdrive current at the data input forces the data input to the opposite logic input state.
- For bushold parts, the bushold circuit is switched off when V_I exceeds V_{CC} allowing 5.5V on the input terminal.
- For data outputs of damping resistor parts only.

Octal D-type transparent latch with 5-volt tolerant inputs/outputs; damping resistor (3-State)

74LVC2373A
74LVCH2373A

AC CHARACTERISTICS

GND = 0 V; $t_r = t_f \leq 2.5$ ns; $C_L = 50$ pF

SYMBOL	PARAMETER	WAVEFORM	LIMITS						UNIT
			$V_{CC} = 3.3V \pm 0.3V$			$V_{CC} = 2.7V$		$V_{CC} = 1.2V$	
			MIN	TYP ¹	MAX	MIN	MAX	TYP	
t_{PHL}/t_{PLH}	Propagation delay Dn to Qn	Figures 1, 5	1.5	–	8.5	1.5	9.5	–	ns
t_{PHL}/t_{PLH}	Propagation delay LE to Qn	Figures 2, 5	1.5	–	9.5	1.5	11	–	ns
t_{PZH}/t_{PZL}	3-State output enable time OE to Qn	Figures 3, 5	1.5	–	9.0	1.5	11	–	ns
t_{PHZ}/t_{PLZ}	3-State output disable time OE to Qn	Figures 3, 5	1.5	–	6.0	1.5	6.5	–	ns
t_W	LE pulse width HIGH	Figure 2	4.0	–	–	4.0	–	–	ns
t_{su}	Set-up time Dn to LE	Figure 4	2.0	–	–	3.0	–	–	ns
t_h	Hold time Dn to LE	Figure 4	2.0	–	–	3.0	–	–	ns

NOTE:

1. These typical values are at $V_{CC} = 3.3V$ and $T_{amb} = 25^\circ C$.

AC WAVEFORMS

$V_M = 1.5$ V at $V_{CC} \geq 2.7$ V

$V_M = 0.5 \cdot V_{CC}$ at $V_{CC} < 2.7$ V

V_{OL} and V_{OH} are the typical output voltage drop that occur with the output load.

$V_X = V_{OL} + 0.3$ V at $V_{CC} \geq 2.7$ V

$V_X = V_{OL} + 0.1 \cdot V_{CC}$ at $V_{CC} < 2.7$ V

$V_Y = V_{OH} - 0.3$ V at $V_{CC} \geq 2.7$ V

$V_Y = V_{OH} - 0.1 \cdot V_{CC}$ at $V_{CC} < 2.7$ V

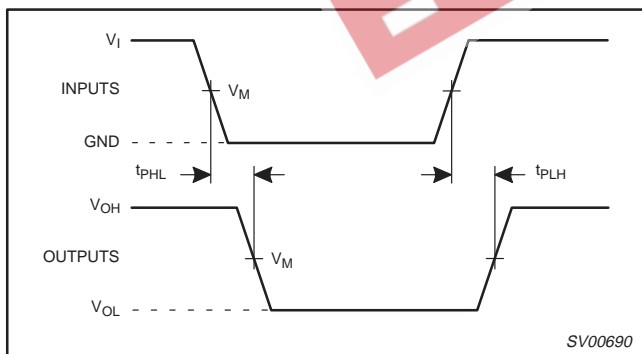


Figure 1. input (Dn) to output (Qn) propagation delays

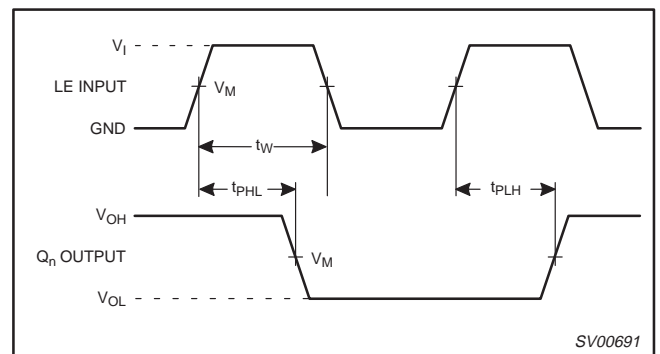


Figure 2. Latch enable input (LE) pulse width, the latch enable input to output (Qn) propagation delays

Octal D-type transparent latch with 5-volt tolerant inputs/outputs; damping resistor (3-State)

74LVC2373A
74LVCH2373A

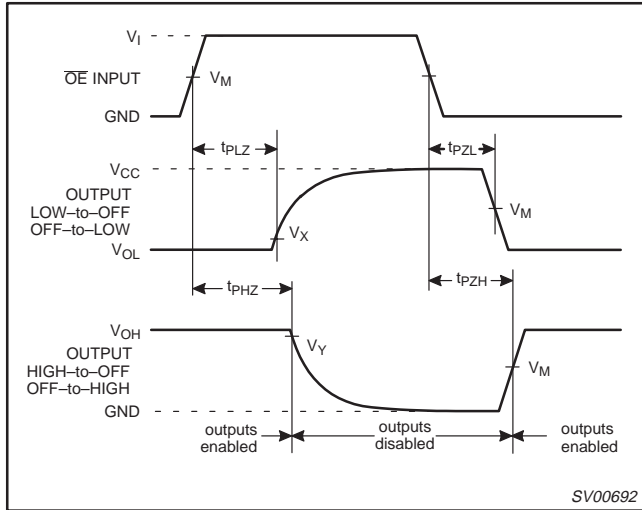


Figure 3. 3-State enable and disable times

TEST CIRCUIT

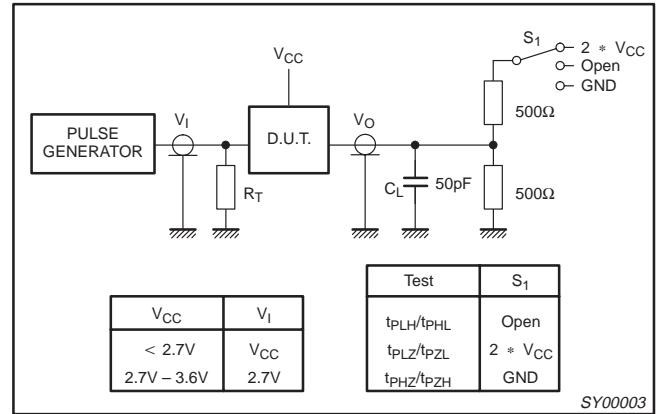


Figure 5. Load circuitry for switching times

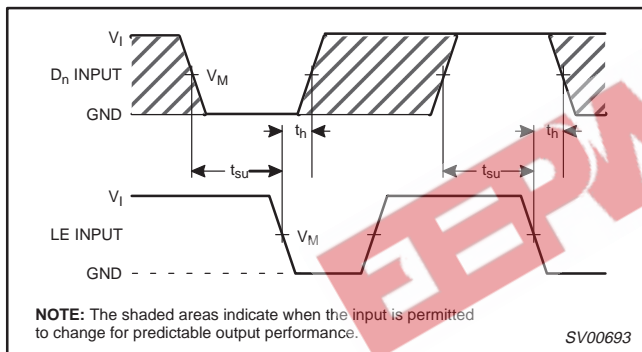


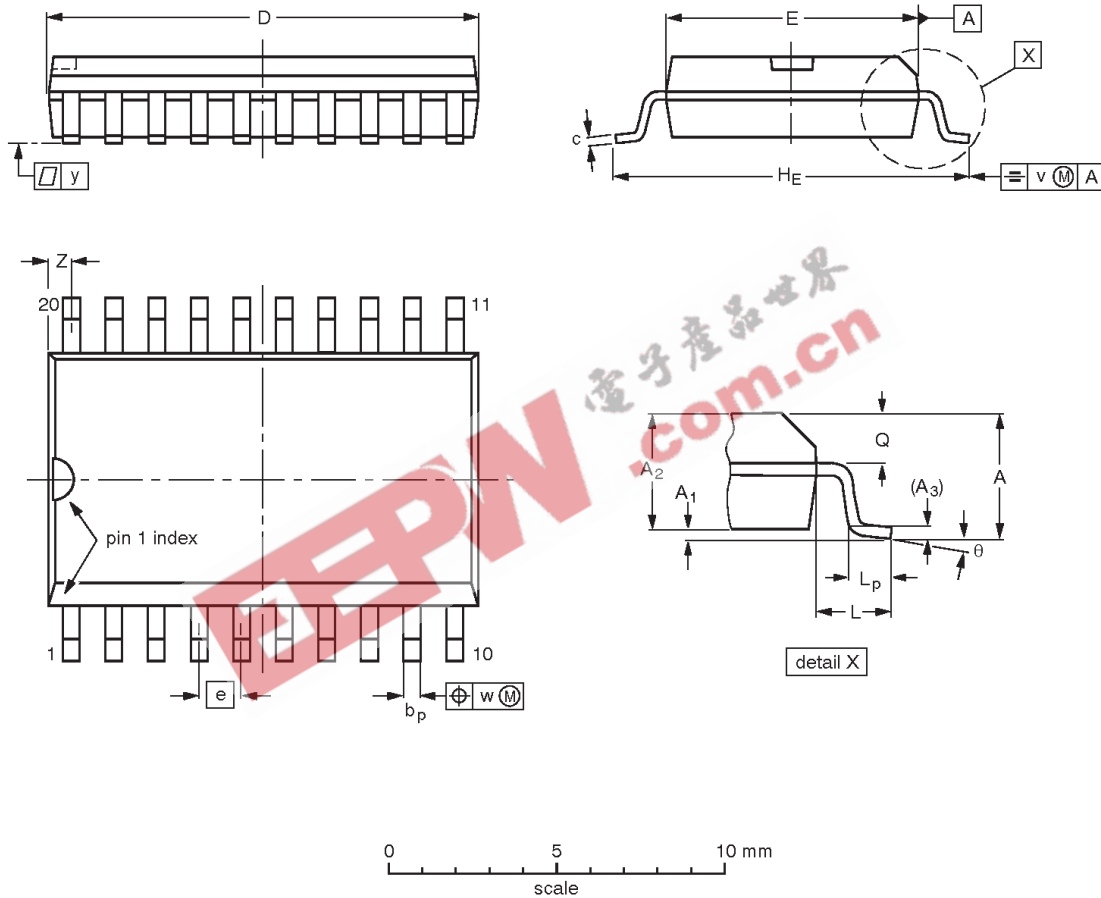
Figure 4. Data set-up and hold times for the D_n input to the LE input

Octal D-type transparent latch with 5-volt tolerant inputs/outputs; damping resistor (3-State)

74LVC2373A
74LVCH2373A

SO20: plastic small outline package; 20 leads; body width 7.5 mm

SOT163-1



DIMENSIONS (inch dimensions are derived from the original mm dimensions)

UNIT	A max.	A ₁	A ₂	A ₃	b _p	c	D ⁽¹⁾	E ⁽¹⁾	e	H _E	L	L _p	Q	v	w	y	z ⁽¹⁾	θ
mm	2.65	0.30 0.10	2.45 2.25	0.25	0.49 0.36	0.32 0.23	13.0 12.6	7.6 7.4	1.27	10.65 10.00	1.4	1.1 0.4	1.1 1.0	0.25	0.25	0.1	0.9 0.4	8° 0°
inches	0.10	0.012 0.004	0.096 0.089	0.01	0.019 0.014	0.013 0.009	0.51 0.49	0.30 0.29	0.050	0.42 0.39	0.055	0.043 0.016	0.043 0.039	0.01	0.01	0.004	0.035 0.016	

Note

1. Plastic or metal protrusions of 0.15 mm maximum per side are not included.

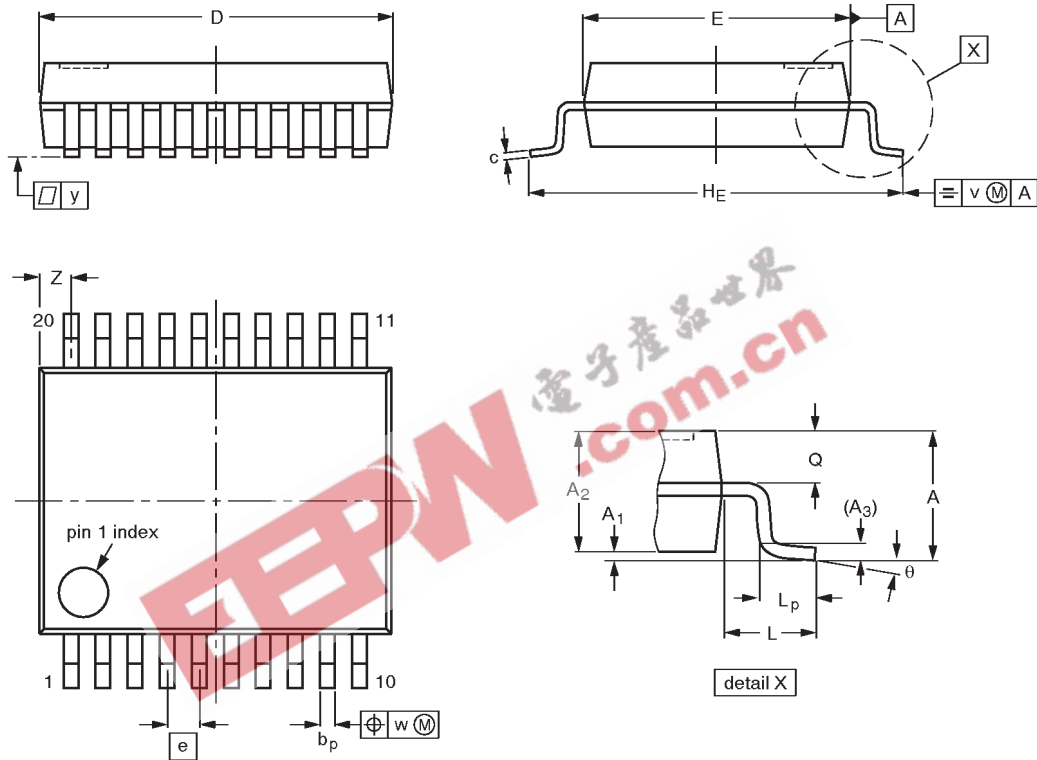
OUTLINE VERSION	REFERENCES				EUROPEAN PROJECTION	ISSUE DATE
	IEC	JEDEC	EIAJ			
SOT163-1	075E04	MS-013AC				92-11-17 95-01-24

Octal D-type transparent latch with 5-volt tolerant inputs/outputs; damping resistor (3-State)

74LVC2373A
74LVCH2373A

SSOP20: plastic shrink small outline package; 20 leads; body width 5.3 mm

SOT339-1



DIMENSIONS (mm are the original dimensions)

UNIT	A max.	A ₁	A ₂	A ₃	b _p	c	D ⁽¹⁾	E ⁽¹⁾	e	H _E	L	L _p	Q	v	w	y	z ⁽¹⁾	θ
mm	2.0	0.21 0.05	1.80 1.65	0.25	0.38 0.25	0.20 0.09	7.4 7.0	5.4 5.2	0.65	7.9 7.6	1.25	1.03 0.63	0.9 0.7	0.2	0.13	0.1	0.9 0.5	8° 0°

Note

1. Plastic or metal protrusions of 0.20 mm maximum per side are not included.

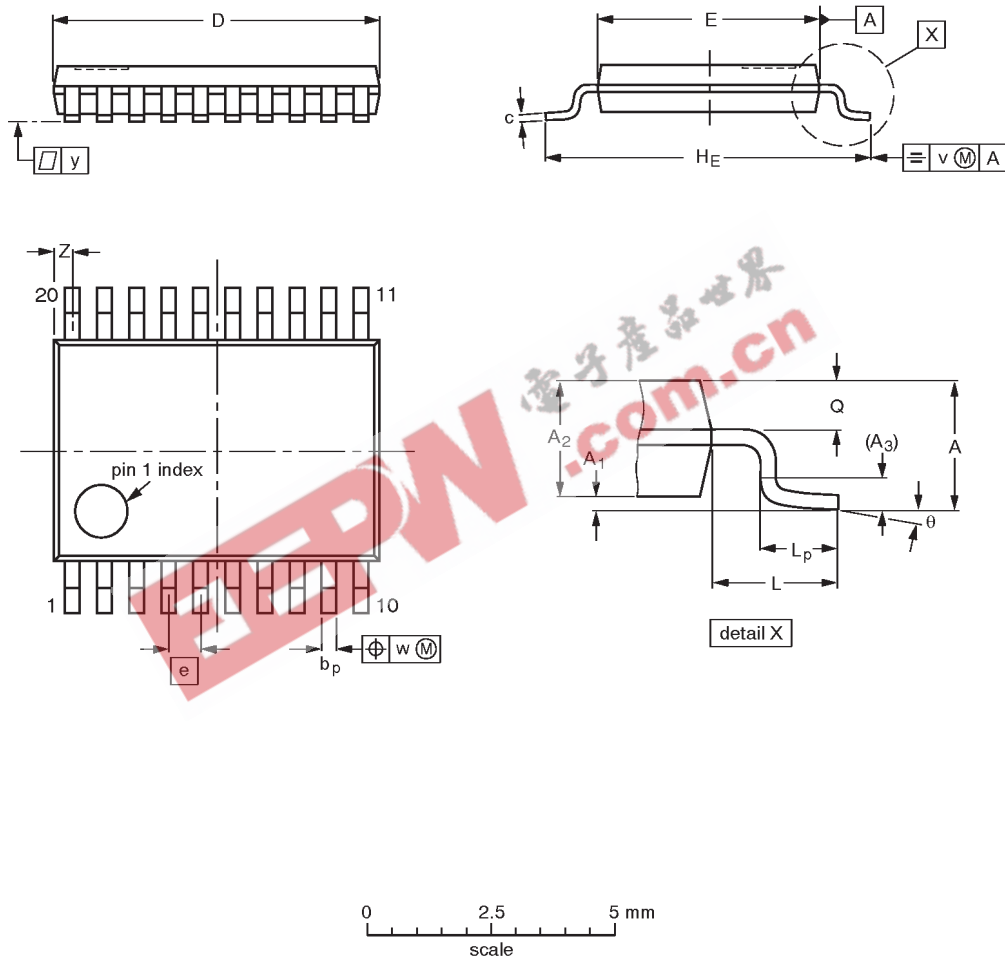
OUTLINE VERSION	REFERENCES				EUROPEAN PROJECTION	ISSUE DATE
	IEC	JEDEC	EIAJ			
SOT339-1		MO-150AE				93-09-08 95-02-04

Octal D-type transparent latch with 5-volt tolerant inputs/outputs; damping resistor (3-State)

74LVC2373A
74LVCH2373A

TSSOP20: plastic thin shrink small outline package; 20 leads; body width 4.4 mm

SOT360-1



DIMENSIONS (mm are the original dimensions)

UNIT	A max.	A ₁	A ₂	A ₃	b _p	c	D ⁽¹⁾	E ⁽²⁾	e	H _E	L	L _p	Q	v	w	y	Z ⁽¹⁾	θ
mm	1.10	0.15 0.05	0.95 0.80	0.25	0.30 0.19	0.2 0.1	6.6 6.4	4.5 4.3	0.65	6.6 6.2	1.0	0.75 0.50	0.4 0.3	0.2	0.13	0.1	0.5 0.2	8° 0°

Notes

1. Plastic or metal protrusions of 0.15 mm maximum per side are not included.
2. Plastic interlead protrusions of 0.25 mm maximum per side are not included.

OUTLINE VERSION	REFERENCES				EUROPEAN PROJECTION	ISSUE DATE
	IEC	JEDEC	EIAJ			
SOT360-1		MO-153AC				93-06-16 95-02-04

Octal D-type transparent latch with 5-volt tolerant
inputs/outputs; damping resistor (3-State)

74LVC2373A
74LVCH2373A

NOTES



Octal D-type transparent latch with 5-volt tolerant
inputs/outputs; damping resistor (3-State)

74LVC2373A
74LVCH2373A

DEFINITIONS

Data Sheet Identification	Product Status	Definition
<i>Objective Specification</i>	Formative or in Design	This data sheet contains the design target or goal specifications for product development. Specifications may change in any manner without notice.
<i>Preliminary Specification</i>	Preproduction Product	This data sheet contains preliminary data, and supplementary data will be published at a later date. Philips Semiconductors reserves the right to make changes at any time without notice in order to improve design and supply the best possible product.
<i>Product Specification</i>	Full Production	This data sheet contains Final Specifications. Philips Semiconductors reserves the right to make changes at any time without notice, in order to improve design and supply the best possible product.

Philips Semiconductors and Philips Electronics North America Corporation reserve the right to make changes, without notice, in the products, including circuits, standard cells, and/or software, described or contained herein in order to improve design and/or performance. Philips Semiconductors assumes no responsibility or liability for the use of any of these products, conveys no license or title under any patent, copyright, or mask work right to these products, and makes no representations or warranties that these products are free from patent, copyright, or mask work right infringement, unless otherwise specified. Applications that are described herein for any of these products are for illustrative purposes only. Philips Semiconductors makes no representation or warranty that such applications will be suitable for the specified use without further testing or modification.

LIFE SUPPORT APPLICATIONS

Philips Semiconductors and Philips Electronics North America Corporation Products are not designed for use in life support appliances, devices, or systems where malfunction of a Philips Semiconductors and Philips Electronics North America Corporation Product can reasonably be expected to result in a personal injury. Philips Semiconductors and Philips Electronics North America Corporation customers using or selling Philips Semiconductors and Philips Electronics North America Corporation Products for use in such applications do so at their own risk and agree to fully indemnify Philips Semiconductors and Philips Electronics North America Corporation for any damages resulting from such improper use or sale.

Philips Semiconductors
811 East Arques Avenue
P.O. Box 3409
Sunnyvale, California 94088-3409
Telephone 800-234-7381

© Copyright Philips Electronics North America Corporation 1997
All rights reserved. Printed in U.S.A.

Let's make things better.

Philips
Semiconductors



PHILIPS