

# 54ACT16543, 74ACT16543 16-BIT REGISTERED TRANSCEIVERS WITH 3-STATE OUTPUTS

SCAS126B – MARCH 1990 – REVISED APRIL 1996

- Members of the Texas Instruments *Widebus*™ Family
- Inputs Are TTL-Voltage Compatible
- 3-State True Outputs
- Flow-Through Architecture Optimizes PCB Layout
- Distributed V<sub>CC</sub> and GND Pin Configurations Minimize High-Speed Switching Noise
- *EPIC*™ (Enhanced-Performance Implanted CMOS) 1-μm Process
- 500-mA Typical Latch-Up Immunity at 125°C
- Package Options Include Plastic Thin Shrink Small-Outline (DGG) and 300-mil Shrink Small-Outline (DL) Packages Using 25-mil Center-to-Center Pin Spacings, and 380-mil Fine-Pitch Ceramic Flat (WD) Packages Using 25-mil Center-to-Center Pin Spacings

## description

The 'ACT16543 are 16-bit registered transceivers that contain two sets of D-type latches for temporary storage of data flowing in either direction. The 'ACT16543 can be used as two 8-bit transceivers or one 16-bit transceiver. Separate latch enable ( $\overline{\text{LEAB}}$  or  $\overline{\text{LEBA}}$ ) and output-enable ( $\overline{\text{OEAB}}$  or  $\overline{\text{OEBA}}$ ) inputs are provided for each register to permit independent control in either direction of data flow.

The A-to-B enable ( $\overline{\text{CEAB}}$ ) and  $\overline{\text{OEAB}}$  inputs must be low to enter data from A or to output data to B. Having  $\overline{\text{CEAB}}$  low and  $\overline{\text{LEAB}}$  low makes the A-to-B latches transparent; a subsequent low-to-high transition at  $\overline{\text{LEAB}}$  puts the A latches in the storage mode. Data flow from B to A is similar, but requires using the  $\overline{\text{CEBA}}$ ,  $\overline{\text{LEBA}}$ , and  $\overline{\text{OEBA}}$  inputs.

The 74ACT16543 is packaged in TI's shrink small-outline package, which provides twice the functionality of standard small-outline packages in the same printed-circuit-board area.

The 54ACT16543 is characterized for operation over the full military temperature range of –55°C to 125°C. The 74ACT16543 is characterized for operation from –40°C to 85°C.

54ACT16543 . . . WD PACKAGE  
74ACT16543 . . . DGG OR DL PACKAGE  
(TOP VIEW)

$\overline{1\text{OEAB}}$	1	56	$\overline{1\text{OEBA}}$
$\overline{1\text{LEAB}}$	2	55	$\overline{1\text{LEBA}}$
$\overline{1\text{CEAB}}$	3	54	$\overline{1\text{CEBA}}$
GND	4	53	GND
1A1	5	52	1B1
1A2	6	51	1B2
V <sub>CC</sub>	7	50	V <sub>CC</sub>
1A3	8	49	1B3
1A4	9	48	1B4
1A5	10	47	1B5
GND	11	46	GND
1A6	12	45	1B6
1A7	13	44	1B7
1A8	14	43	1B8
2A1	15	42	2B1
2A2	16	41	2B2
2A3	17	40	2B3
GND	18	39	GND
2A4	19	38	2B4
2A5	20	37	2B5
2A6	21	36	2B6
V <sub>CC</sub>	22	35	V <sub>CC</sub>
2A7	23	34	2B7
2A8	24	33	2B8
GND	25	32	GND
$\overline{2\text{CEAB}}$	26	31	$\overline{2\text{CEBA}}$
$\overline{2\text{LEAB}}$	27	30	$\overline{2\text{LEBA}}$
$\overline{2\text{OEAB}}$	28	29	$\overline{2\text{OEBA}}$



Please be aware that an important notice concerning availability, standard warranty, and use in critical applications of Texas Instruments semiconductor products and disclaimers thereto appears at the end of this data sheet.

EPIC and Widebus are trademarks of Texas Instruments Incorporated.

UNLESS OTHERWISE NOTED this document contains PRODUCTION DATA information current as of publication date. Products conform to specifications per the terms of Texas Instruments standard warranty. Production processing does not necessarily include testing of all parameters.

 **TEXAS  
INSTRUMENTS**

POST OFFICE BOX 655303 • DALLAS, TEXAS 75265

Copyright © 1996, Texas Instruments Incorporated

**54ACT16543, 74ACT16543**  
**16-BIT REGISTERED TRANSCEIVERS**  
**WITH 3-STATE OUTPUTS**

SCAS126B – MARCH 1990 – REVISED APRIL 1996

**FUNCTION TABLE**  
 (each octal register)

INPUTS			LATCH STATUS A TO B <sup>†</sup>	OUTPUT BUFFERS B1–B8
$\overline{\text{CEAB}}$	$\overline{\text{LEAB}}$	$\overline{\text{OEAB}}$		
H	X	X	Storing	Z
X	H	X	Storing	
X	X	H		Z
L	L	L	Transparent	Current A data
L	H	L	Storing	Previous A data <sup>‡</sup>

<sup>†</sup> A-to-B data flow is shown: B-to-A flow control is the same except that it uses CEBA, LEBA, and OEBA.

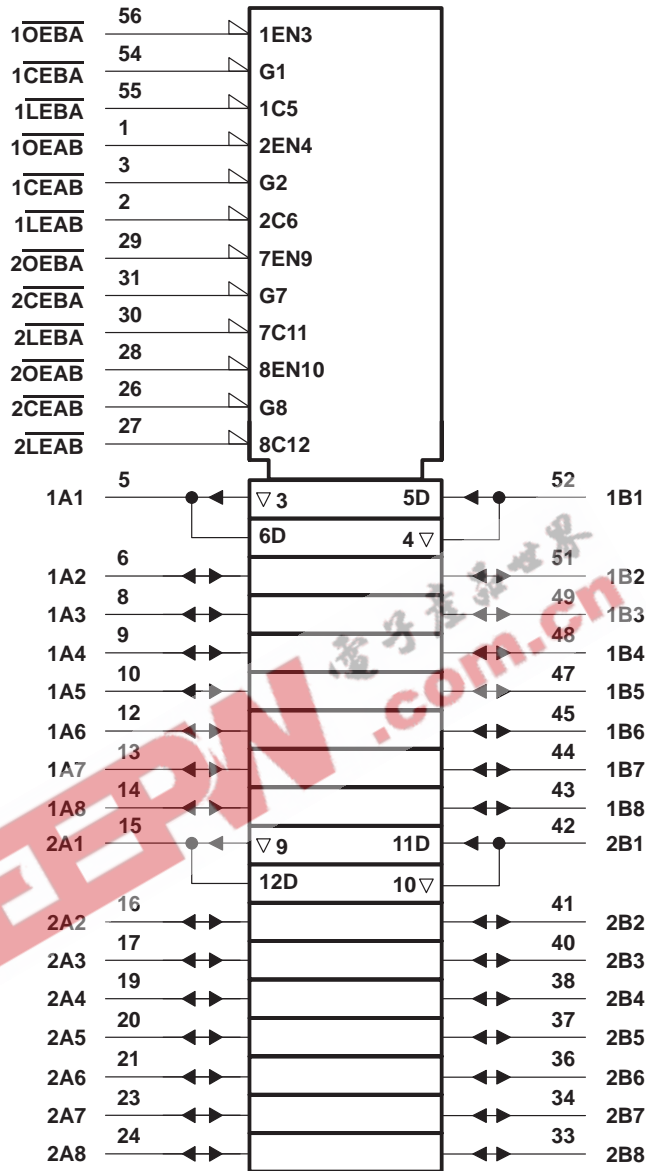
<sup>‡</sup> Data present before low-to-high transition of  $\overline{\text{LEAB}}$  occurring while  $\overline{\text{CEAB}}$  is low

EEPW 电子产品世界  
 .com.cn

54ACT16543, 74ACT16543  
 16-BIT REGISTERED TRANSCEIVERS  
 WITH 3-STATE OUTPUTS

SCAS126B – MARCH 1990 – REVISED APRIL 1996

logic symbol†

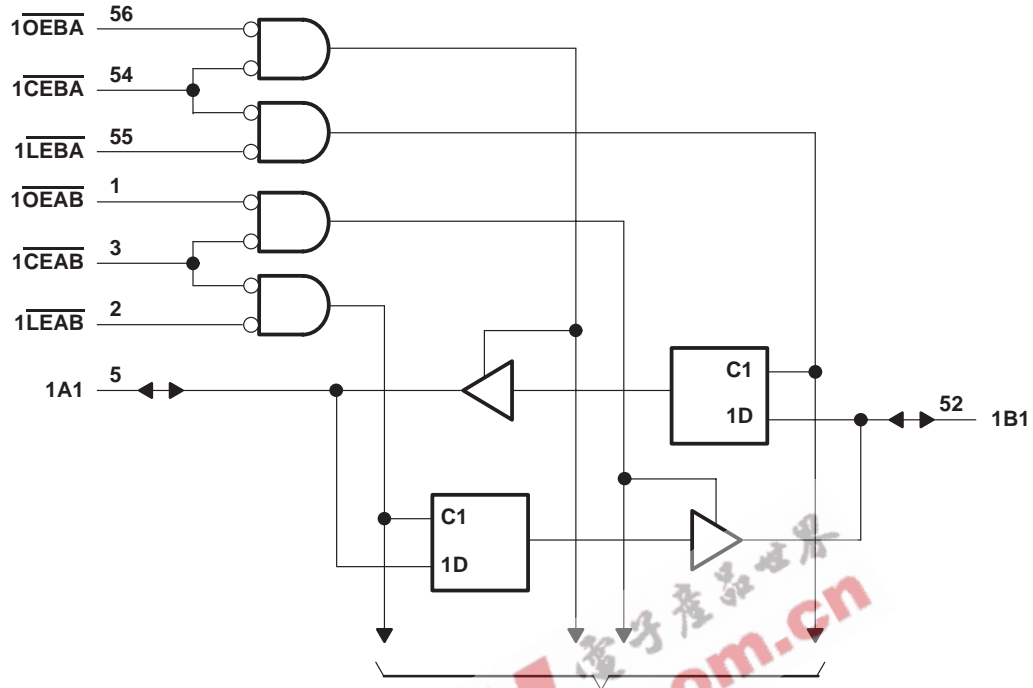


† This symbol is in accordance with ANSI/IEEE Std 91-1984 and IEC Publication 617-12.

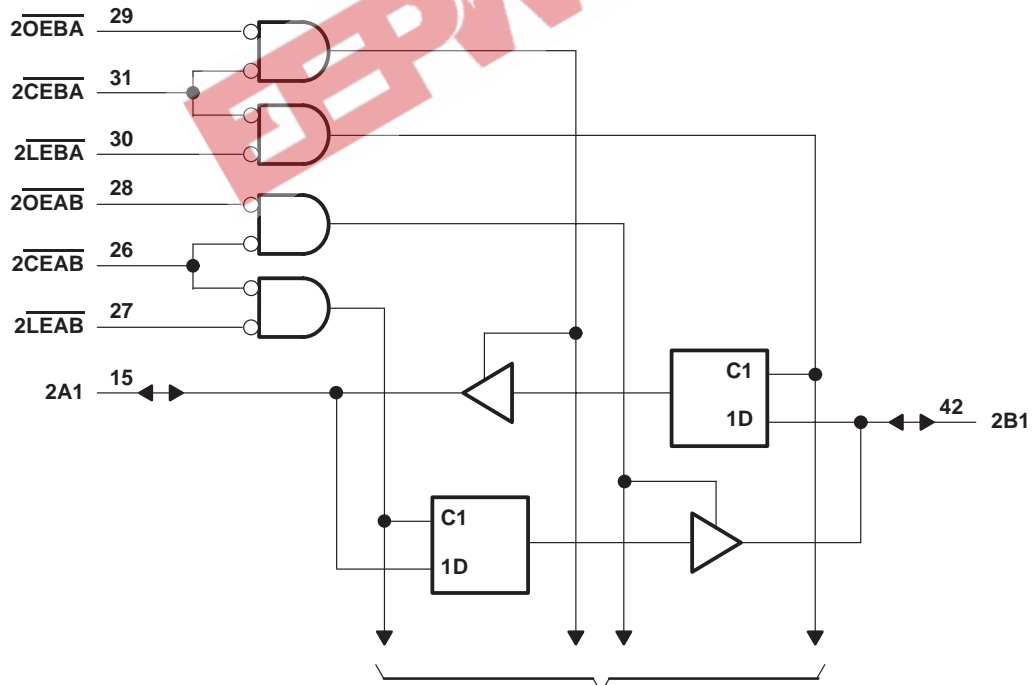
# 54ACT16543, 74ACT16543 16-BIT REGISTERED TRANSCEIVERS WITH 3-STATE OUTPUTS

SCAS126B – MARCH 1990 – REVISED APRIL 1996

## logic diagram (positive logic)



To Seven Other Channels



To Seven Other Channels

# 54ACT16543, 74ACT16543 16-BIT REGISTERED TRANSCEIVERS WITH 3-STATE OUTPUTS

SCAS126B – MARCH 1990 – REVISED APRIL 1996

## absolute maximum ratings over operating free-air temperature range (unless otherwise noted)†

Supply voltage range, $V_{CC}$ .....	–0.5 V to 7 V
Input voltage range, $V_I$ (see Note 1) .....	–0.5 V to $V_{CC}+0.5$ V
Output voltage range, $V_O$ (see Note 1) .....	–0.5 V to $V_{CC}+0.5$ V
Input clamp current, $I_{IK}$ ( $V_I < 0$ or $V_I > V_{CC}$ ) .....	±20 mA
Output clamp current, $I_{OK}$ ( $V_O < 0$ or $V_O > V_{CC}$ ) .....	±50 mA
Continuous output current, $I_O$ ( $V_O = 0$ to $V_{CC}$ ) .....	±50 mA
Continuous current through $V_{CC}$ or GND .....	±400 mA
Maximum power dissipation at $T_A = 55^\circ\text{C}$ (in still air) (see Note 2): DGG package .....	1 W
DL package .....	1.4 W
Storage temperature range, $T_{stg}$ .....	–65°C to 150°C

† Stresses beyond those listed under “absolute maximum ratings” may cause permanent damage to the device. These are stress ratings only, and functional operation of the device at these or any other conditions beyond those indicated under “recommended operating conditions” is not implied. Exposure to absolute-maximum-rated conditions for extended periods may affect device reliability.

- NOTES: 1. The input and output voltage ratings may be exceeded if the input and output current ratings are observed.  
2. The maximum package power dissipation is calculated using a junction temperature of 150°C and a board trace length of 750 mils.

## recommended operating conditions (see Note 3)

	54ACT16543			74ACT16543			UNIT
	MIN	NOM	MAX	MIN	NOM	MAX	
$V_{CC}$ Supply voltage (see Note 4)	4.5	5	5.5	4.5	5	5.5	V
$V_{IH}$ High-level input voltage	2			2			V
$V_{IL}$ Low-level input voltage			0.8			0.8	V
$V_I$ Input voltage	0		$V_{CC}$	0		$V_{CC}$	V
$V_O$ Output voltage	0		$V_{CC}$	0		$V_{CC}$	V
$I_{OH}$ High-level output current			–24			–24	mA
$I_{OL}$ Low-level output current			24			24	mA
$\Delta t/\Delta v$ Input transition rise or fall rate	0		10	0		10	ns/V
$T_A$ Operating free-air temperature	–55		125	–40		85	°C

- NOTES: 3. Unused pins (inputs and I/O) must be held high or low to prevent them from floating.  
4. All  $V_{CC}$  and GND pins must be connected to the proper voltage power supply.

# 54ACT16543, 74ACT16543 16-BIT REGISTERED TRANSCEIVERS WITH 3-STATE OUTPUTS

SCAS126B – MARCH 1990 – REVISED APRIL 1996

electrical characteristics over recommended operating free-air temperature range (unless otherwise noted)

PARAMETER	TEST CONDITIONS	V <sub>CC</sub>	T <sub>A</sub> = 25°C			54ACT16543		74ACT16543		UNIT
			MIN	TYP	MAX	MIN	MAX	MIN	MAX	
V <sub>OH</sub>	I <sub>OH</sub> = -50 μA	4.5 V	4.4			4.4		4.4	V	
		5.5 V	5.4			5.4		5.4		
	I <sub>OH</sub> = -24 mA	4.5 V	3.94			3.8		3.8		
		5.5 V	4.94			4.8		4.8		
I <sub>OH</sub> = -75 mA <sup>†</sup>	5.5 V				3.85		3.85			
V <sub>OL</sub>	I <sub>OL</sub> = 50 μA	4.5 V				0.1		0.1	V	
		5.5 V				0.1		0.1		
	I <sub>OL</sub> = 24 mA	4.5 V				0.36		0.44		
		5.5 V				0.36		0.44		
I <sub>OL</sub> = 75 mA <sup>†</sup>	5.5 V					1.65	1.65			
I <sub>I</sub>	Control inputs	V <sub>I</sub> = V <sub>CC</sub> or GND	5.5 V			±0.1		±1	±1	μA
I <sub>OZ</sub>	A or B ports <sup>‡</sup>	V <sub>O</sub> = V <sub>CC</sub> or GND	5.5 V			±0.5		±5	±5	μA
I <sub>CC</sub>		V <sub>I</sub> = V <sub>CC</sub> or GND, I <sub>O</sub> = 0	5.5 V			8		80	80	μA
ΔI <sub>CC</sub> <sup>§</sup>		One input at 3.4 V, Other inputs at GND or V <sub>CC</sub>	5.5 V			0.9		1	1	mA
C <sub>i</sub>	Control inputs	V <sub>I</sub> = V <sub>CC</sub> or GND	5 V			4.5				pF
C <sub>io</sub>	A or B ports	V <sub>O</sub> = V <sub>CC</sub> or GND	5 V			12				

<sup>†</sup> Not more than one output should be tested at a time, and the duration of the test should not exceed 10 ms.

<sup>‡</sup> For I/O ports, the parameter I<sub>OZ</sub> includes the input leakage current.

<sup>§</sup> This is the increase in supply current for each input that is at one of the specified TTL voltage levels rather than 0 V or V<sub>CC</sub>.

timing requirements over recommended operating free-air temperature range (unless otherwise noted) (see Figure 1)

		T <sub>A</sub> = 25°C		54ACT16543		74ACT16543		UNIT
		MIN	MAX	MIN	MAX	MIN	MAX	
t <sub>w</sub>	Pulse duration, $\overline{\text{LEAB}}$ or $\overline{\text{LEBA}}$ low	7.5		7.5		7.5		ns
t <sub>su</sub>	Setup time, data before $\overline{\text{LEAB}}$ or $\overline{\text{LEBA}}\uparrow$	2.5		2.5		2.5		ns
t <sub>h</sub>	Hold time, data after $\overline{\text{LEAB}}$ or $\overline{\text{LEBA}}\uparrow$	4		4		4		ns

PRODUCT PREVIEW information concerns products in the formative or design phase of development. Characteristic data and other specifications are design goals. Texas Instruments reserves the right to change or discontinue these products without notice.



POST OFFICE BOX 655303 • DALLAS, TEXAS 75265

**54ACT16543, 74ACT16543**  
**16-BIT REGISTERED TRANSCEIVERS**  
**WITH 3-STATE OUTPUTS**

SCAS126B – MARCH 1990 – REVISED APRIL 1996

switching characteristics over recommended ranges of supply voltage and operating free-air temperature range (unless otherwise noted) (see Figure 1)

PARAMETER	FROM (INPUT)	TO (OUTPUT)	T <sub>A</sub> = 25°C			54ACT16543		74ACT16543		UNIT
			MIN	TYP	MAX	MIN	MAX	MIN	MAX	
t <sub>PLH</sub>	A or B	B or A	3.5	6.9	9.5	3.5	10.5	3.5	10.5	ns
t <sub>PHL</sub>			3.1	7.3	10.7	3.1	11.6	3.1	11.6	
t <sub>PLH</sub>	LEBA or LEAB	A or B	3.9	8.6	12.3	3.9	13.8	3.9	13.8	ns
t <sub>PHL</sub>			3.9	8.7	12.2	3.9	13.5	3.9	13.5	
t <sub>PZH</sub>	$\overline{OEBA}$ or $\overline{OEAB}$	A or B	2.6	7.1	10.3	2.6	11.4	2.6	11.4	ns
t <sub>PZL</sub>			3.5	8.3	11.9	3.5	13.2	3.5	13.2	
t <sub>PHZ</sub>	$\overline{OEBA}$ or $\overline{OEAB}$	A or B	4.1	8.2	10.5	4.1	11.1	4.1	11.1	ns
t <sub>PLZ</sub>			5	7.3	9.3	5	9.6	5	9.6	
t <sub>PZH</sub>	$\overline{CEBA}$ or $\overline{CEAB}$	A or B	3.1	7.3	10.7	3.1	11.7	3.1	11.7	ns
t <sub>PZL</sub>			3.9	8.5	12.2	3.9	13.5	3.9	13.5	
t <sub>PHZ</sub>	$\overline{CEBA}$ or $\overline{CEAB}$	A or B	4.6	8.5	11	4.6	11.6	4.6	11.6	ns
t <sub>PLZ</sub>			5.2	7.4	9.7	5.2	10.5	5.2	10.5	

operating characteristics, V<sub>CC</sub> = 5 V, T<sub>A</sub> = 25°C

PARAMETER		TEST CONDITIONS	TYP	UNIT
C <sub>pd</sub>	Power dissipation capacitance per transceiver	Outputs enabled	45	pF
		Outputs disabled	12	

PRODUCT PREVIEW information concerns products in the formative or design phase of development. Characteristic data and other specifications are design goals. Texas Instruments reserves the right to change or discontinue these products without notice.

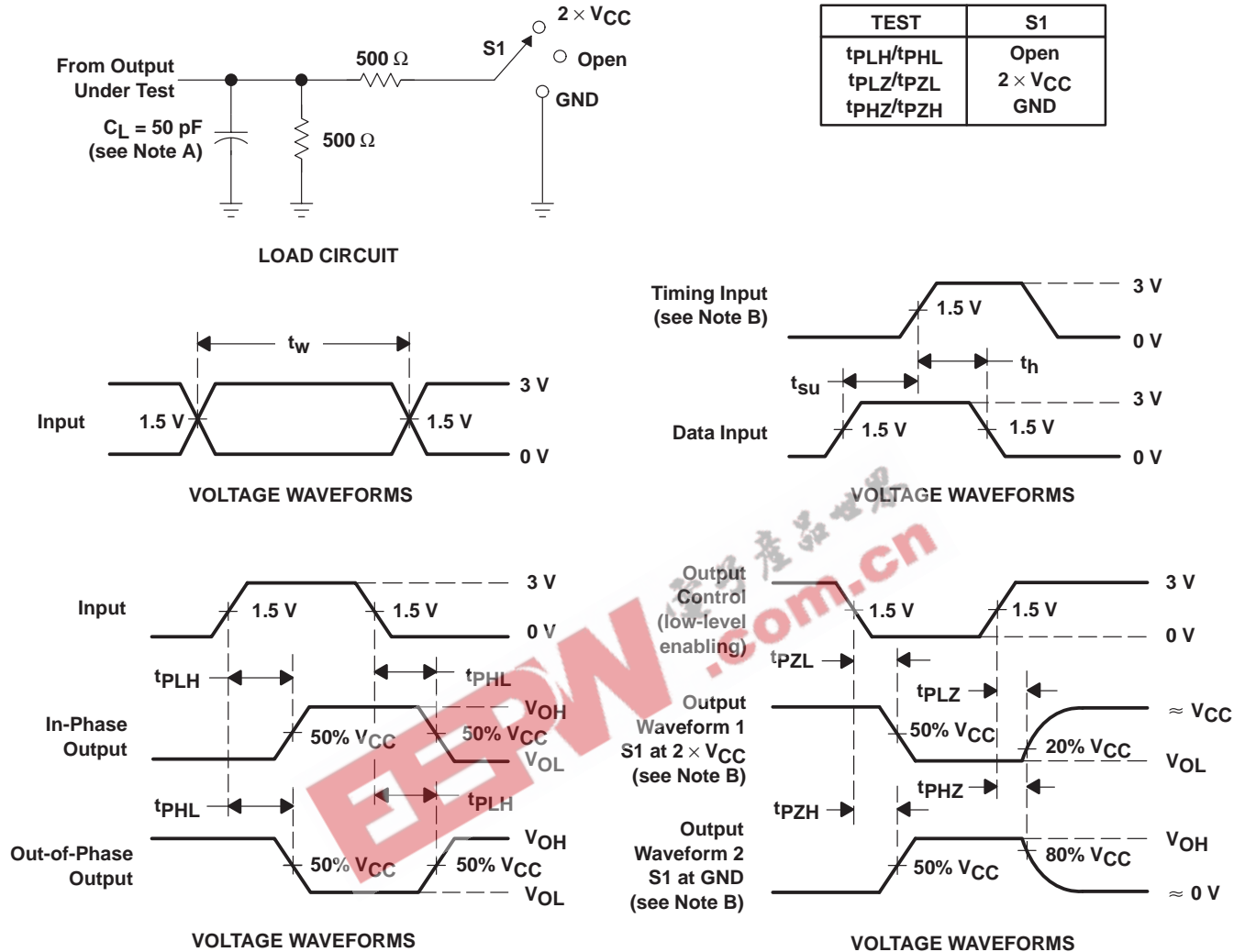


POST OFFICE BOX 655303 • DALLAS, TEXAS 75265

# 54ACT16543, 74ACT16543 16-BIT REGISTERED TRANSCEIVERS WITH 3-STATE OUTPUTS

SCAS126B – MARCH 1990 – REVISED APRIL 1996

## PARAMETER MEASUREMENT INFORMATION



- NOTES: A.  $C_L$  includes probe and jig capacitance.  
 B. Waveform 1 is for an output with internal conditions such that the output is low except when disabled by the output control. Waveform 2 is for an output with internal conditions such that the output is high except when disabled by the output control.  
 C. All input pulses are supplied by generators having the following characteristics:  $PRR \leq 1 \text{ MHz}$ ,  $Z_O = 50 \Omega$ ,  $t_r = 3 \text{ ns}$ ,  $t_f = 3 \text{ ns}$ .  
 D. The outputs are measured one at a time with one input transition per measurement.

Figure 1. Load Circuit and Voltage Waveforms



**PACKAGING INFORMATION**

Orderable Device	Status <sup>(1)</sup>	Package Type	Package Drawing	Pins	Package Qty	Eco Plan <sup>(2)</sup>	Lead/Ball Finish	MSL Peak Temp <sup>(3)</sup>
74ACT16543DGGR	ACTIVE	TSSOP	DGG	56	2000	Green (RoHS & no Sb/Br)	CU NIPDAU	Level-1-260C-UNLIM
74ACT16543DGGRE4	ACTIVE	TSSOP	DGG	56	2000	Green (RoHS & no Sb/Br)	CU NIPDAU	Level-1-260C-UNLIM
74ACT16543DL	ACTIVE	SSOP	DL	56	20	Green (RoHS & no Sb/Br)	CU NIPDAU	Level-1-260C-UNLIM
74ACT16543DLR	ACTIVE	SSOP	DL	56	1000	Green (RoHS & no Sb/Br)	CU NIPDAU	Level-1-260C-UNLIM
74ACT16543DLRG4	ACTIVE	SSOP	DL	56	1000	Green (RoHS & no Sb/Br)	CU NIPDAU	Level-1-260C-UNLIM

<sup>(1)</sup> The marketing status values are defined as follows:

**ACTIVE:** Product device recommended for new designs.

**LIFEBUY:** TI has announced that the device will be discontinued, and a lifetime-buy period is in effect.

**NRND:** Not recommended for new designs. Device is in production to support existing customers, but TI does not recommend using this part in a new design.

**PREVIEW:** Device has been announced but is not in production. Samples may or may not be available.

**OBSOLETE:** TI has discontinued the production of the device.

<sup>(2)</sup> Eco Plan - The planned eco-friendly classification: Pb-Free (RoHS) or Green (RoHS & no Sb/Br) - please check <http://www.ti.com/productcontent> for the latest availability information and additional product content details.

**TBD:** The Pb-Free/Green conversion plan has not been defined.

**Pb-Free (RoHS):** TI's terms "Lead-Free" or "Pb-Free" mean semiconductor products that are compatible with the current RoHS requirements for all 6 substances, including the requirement that lead not exceed 0.1% by weight in homogeneous materials. Where designed to be soldered at high temperatures, TI Pb-Free products are suitable for use in specified lead-free processes.

**Green (RoHS & no Sb/Br):** TI defines "Green" to mean Pb-Free (RoHS compatible), and free of Bromine (Br) and Antimony (Sb) based flame retardants (Br or Sb do not exceed 0.1% by weight in homogeneous material)

<sup>(3)</sup> MSL, Peak Temp. -- The Moisture Sensitivity Level rating according to the JEDEC industry standard classifications, and peak solder temperature.

**Important Information and Disclaimer:** The information provided on this page represents TI's knowledge and belief as of the date that it is provided. TI bases its knowledge and belief on information provided by third parties, and makes no representation or warranty as to the accuracy of such information. Efforts are underway to better integrate information from third parties. TI has taken and continues to take reasonable steps to provide representative and accurate information but may not have conducted destructive testing or chemical analysis on incoming materials and chemicals. TI and TI suppliers consider certain information to be proprietary, and thus CAS numbers and other limited information may not be available for release.

In no event shall TI's liability arising out of such information exceed the total purchase price of the TI part(s) at issue in this document sold by TI to Customer on an annual basis.

## IMPORTANT NOTICE

Texas Instruments Incorporated and its subsidiaries (TI) reserve the right to make corrections, modifications, enhancements, improvements, and other changes to its products and services at any time and to discontinue any product or service without notice. Customers should obtain the latest relevant information before placing orders and should verify that such information is current and complete. All products are sold subject to TI's terms and conditions of sale supplied at the time of order acknowledgment.

TI warrants performance of its hardware products to the specifications applicable at the time of sale in accordance with TI's standard warranty. Testing and other quality control techniques are used to the extent TI deems necessary to support this warranty. Except where mandated by government requirements, testing of all parameters of each product is not necessarily performed.

TI assumes no liability for applications assistance or customer product design. Customers are responsible for their products and applications using TI components. To minimize the risks associated with customer products and applications, customers should provide adequate design and operating safeguards.

TI does not warrant or represent that any license, either express or implied, is granted under any TI patent right, copyright, mask work right, or other TI intellectual property right relating to any combination, machine, or process in which TI products or services are used. Information published by TI regarding third-party products or services does not constitute a license from TI to use such products or services or a warranty or endorsement thereof. Use of such information may require a license from a third party under the patents or other intellectual property of the third party, or a license from TI under the patents or other intellectual property of TI.

Reproduction of information in TI data books or data sheets is permissible only if reproduction is without alteration and is accompanied by all associated warranties, conditions, limitations, and notices. Reproduction of this information with alteration is an unfair and deceptive business practice. TI is not responsible or liable for such altered documentation.

Resale of TI products or services with statements different from or beyond the parameters stated by TI for that product or service voids all express and any implied warranties for the associated TI product or service and is an unfair and deceptive business practice. TI is not responsible or liable for any such statements.

Following are URLs where you can obtain information on other Texas Instruments products and application solutions:

<b>Products</b>		<b>Applications</b>	
Amplifiers	<a href="http://amplifier.ti.com">amplifier.ti.com</a>	Audio	<a href="http://www.ti.com/audio">www.ti.com/audio</a>
Data Converters	<a href="http://dataconverter.ti.com">dataconverter.ti.com</a>	Automotive	<a href="http://www.ti.com/automotive">www.ti.com/automotive</a>
DSP	<a href="http://dsp.ti.com">dsp.ti.com</a>	Broadband	<a href="http://www.ti.com/broadband">www.ti.com/broadband</a>
Interface	<a href="http://interface.ti.com">interface.ti.com</a>	Digital Control	<a href="http://www.ti.com/digitalcontrol">www.ti.com/digitalcontrol</a>
Logic	<a href="http://logic.ti.com">logic.ti.com</a>	Military	<a href="http://www.ti.com/military">www.ti.com/military</a>
Power Mgmt	<a href="http://power.ti.com">power.ti.com</a>	Optical Networking	<a href="http://www.ti.com/opticalnetwork">www.ti.com/opticalnetwork</a>
Microcontrollers	<a href="http://microcontroller.ti.com">microcontroller.ti.com</a>	Security	<a href="http://www.ti.com/security">www.ti.com/security</a>
		Telephony	<a href="http://www.ti.com/telephony">www.ti.com/telephony</a>
		Video & Imaging	<a href="http://www.ti.com/video">www.ti.com/video</a>
		Wireless	<a href="http://www.ti.com/wireless">www.ti.com/wireless</a>

Mailing Address: Texas Instruments  
Post Office Box 655303 Dallas, Texas 75265