

DATA SHEET

EEPW 电子产品世界
.com.cn

74LVC244A; 74LVCH244A

Octal buffer/line driver with 5 V
tolerant inputs/outputs (3-state)

Product specification
Supersedes data of 2003 May 20

2003 Oct 30

Octal buffer/line driver with 5 V tolerant inputs/outputs (3-state)

74LVC244A; 74LVCH244A

FEATURES

- 5 V tolerant inputs/outputs for interfacing with 5 V logic
- Wide supply voltage range from 1.2 to 3.6 V
- CMOS low power consumption
- Direct interface with TTL levels
- Inputs accept voltages up to 5.5 V
- High-impedance when $V_{CC} = 0$ V
- Bushold on all data inputs (74LVCH244A only)
- Complies with JEDEC standard no. 8-1A
- ESD protection:
HBM EIA/JESD22-A114-A exceeds 2000 V
MM EIA/JESD22-A115-A exceeds 200 V.
- Specified from -40 to $+85$ °C and -40 to $+125$ °C.

DESCRIPTION

The 74LVC244A/74LVCH244A is a high performance, low-power, low-voltage, Si-gate CMOS device, superior to most advanced CMOS compatible TTL families.

Inputs can be driven from either 3.3 or 5 V devices. In 3-state operation, outputs can handle 5 V. These features allow the use of these devices as translators in a mixed 3.3 and 5 V environment.

The 74LVC244A/74LVCH244A is an octal non-inverting buffer/line driver with 3-state outputs. The 3-state outputs are controlled by the output enable inputs $1\overline{OE}$ and $2\overline{OE}$. A HIGH on $n\overline{OE}$ causes the outputs to assume a high-impedance OFF-state. Schmitt-trigger action at all inputs makes the circuit highly tolerant for slower input rise and fall times.

The 244 is functionally identical to the 240, but the 240 has inverting outputs.

QUICK REFERENCE DATA

GND = 0 V; $T_{amb} = 25$ °C; $t_r = t_f \leq 2.5$ ns.

SYMBOL	PARAMETER	CONDITIONS	TYPICAL	UNIT
t_{PHL}/t_{PLH}	propagation delay 1An to 1Yn, 2An to 2Yn	$C_L = 50$ pF; $V_{CC} = 3.3$ V	2.8	ns
C_i	input capacitance		4.0	pF
C_{PD}	power dissipation capacitance per buffer	$V_{CC} = 3.3$ V; notes 1 and 2	10	pF

Notes

1. C_{PD} is used to determine the dynamic power dissipation (P_D in μ W).

$$P_D = C_{PD} \times V_{CC}^2 \times f_i \times N + \Sigma(C_L \times V_{CC}^2 \times f_o) \text{ where:}$$

f_i = input frequency in MHz;

f_o = output frequency in MHz;

C_L = output load capacitance in pF;

V_{CC} = supply voltage in Volts;

N = total load switching outputs;

$\Sigma(C_L \times V_{CC}^2 \times f_o)$ = sum of the outputs.

2. The condition is $V_i = \text{GND to } V_{CC}$.

Octal buffer/line driver with 5 V tolerant
inputs/outputs (3-state)

74LVC244A; 74LVCH244A

ORDERING INFORMATION

TYPE NUMBER	PACKAGE				
	TEMPERATURE RANGE	PINS	PACKAGE	MATERIAL	CODE
74LVC244AD	-40 to +125 °C	20	SO20	plastic	SOT163-1
74LVCH244AD	-40 to +125 °C	20	SO20	plastic	SOT163-1
74LVC244ADB	-40 to +125 °C	20	SSOP20	plastic	SOT339-1
74LVCH244ADB	-40 to +125 °C	20	SSOP20	plastic	SOT339-1
74LVC244APW	-40 to +125 °C	20	TSSOP20	plastic	SOT360-1
74LVCH244APW	-40 to +125 °C	20	TSSOP20	plastic	SOT360-1
74LVC244ABQ	-40 to +125 °C	20	DHVQFN20	plastic	SOT764-1
74LVCH244ABQ	-40 to +125 °C	20	DHVQFN20	plastic	SOT764-1

FUNCTION TABLE

See note 1.

INPUT		OUTPUT
\overline{nOE}	nAn	nYn
L	L	L
L	H	H
H	X	Z

Note

1. H = HIGH voltage level;
 - a) L = LOW voltage level;
 - b) X = don't care;
 - c) Z = high-impedance OFF-state.

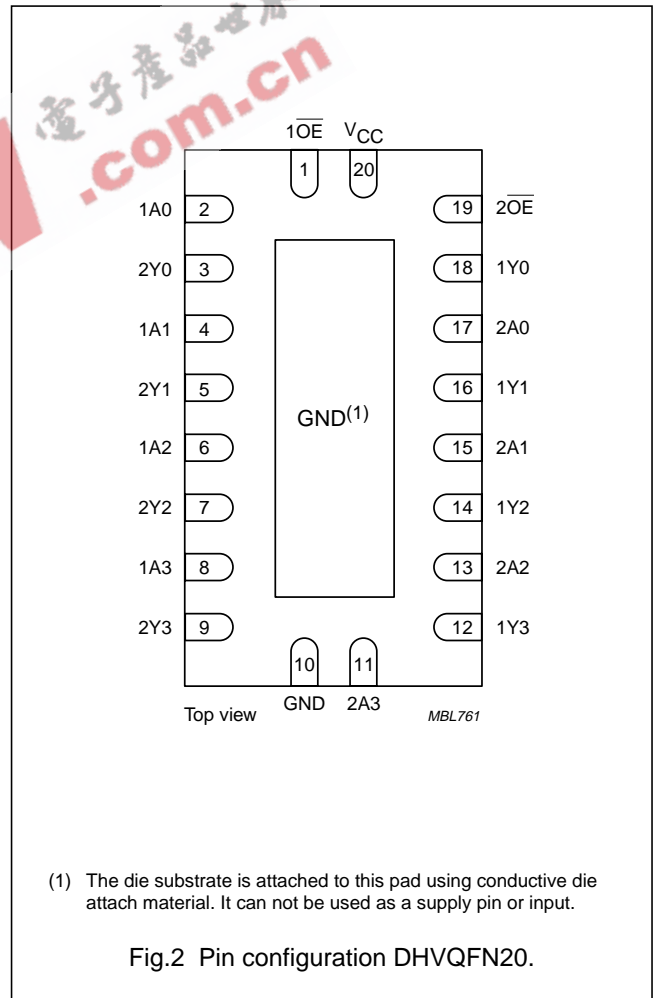
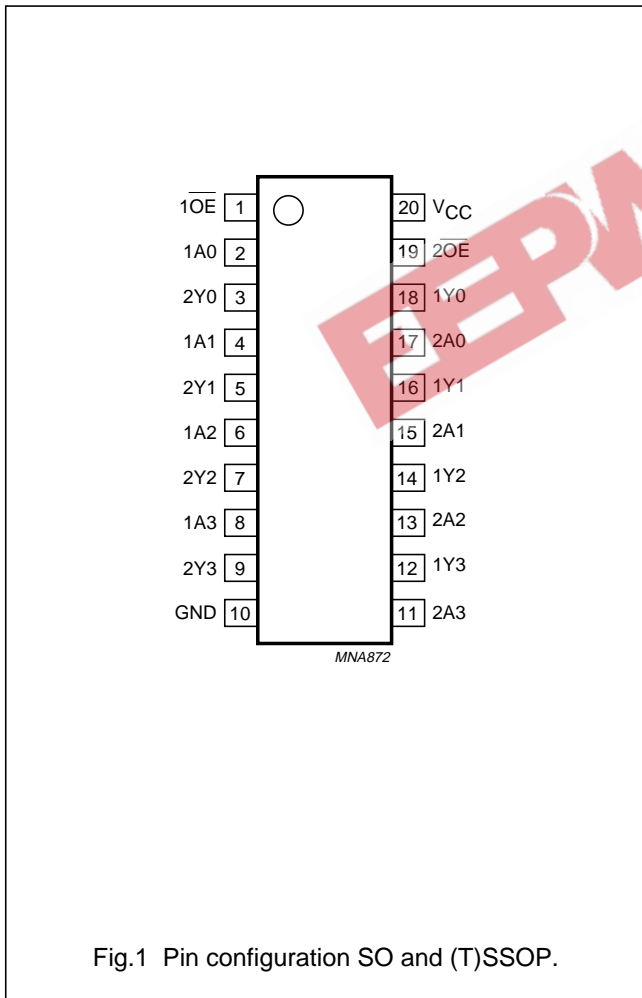
Octal buffer/line driver with 5 V tolerant inputs/outputs (3-state)

74LVC244A; 74LVCH244A

PINNING

PIN	SYMBOL	DESCRIPTION
1	1 \overline{OE}	output enable input (active LOW)
2	1A0	data input
3	2Y0	bus output
4	1A1	data input
5	2Y1	bus output
6	1A2	data input
7	2Y2	bus output
8	1A3	data input
9	2Y3	bus output
10	GND	ground (0 V)

PIN	SYMBOL	DESCRIPTION
11	2A3	bus input
12	1Y3	bus output
13	2A2	bus input
14	1Y2	bus output
15	2A1	bus input
16	1Y1	bus output
17	2A0	bus input
18	1Y0	bus output
19	2 \overline{OE}	output enable input (active LOW)
20	V _{CC}	supply voltage



Octal buffer/line driver with 5 V tolerant inputs/outputs (3-state)

74LVC244A; 74LVCH244A

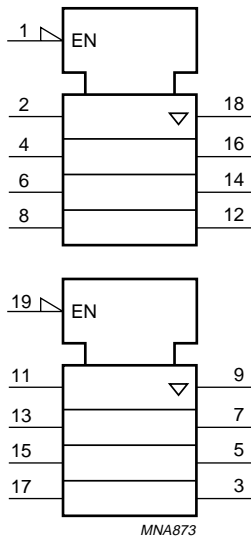


Fig.3 Logic symbol (IEEE/IEC).

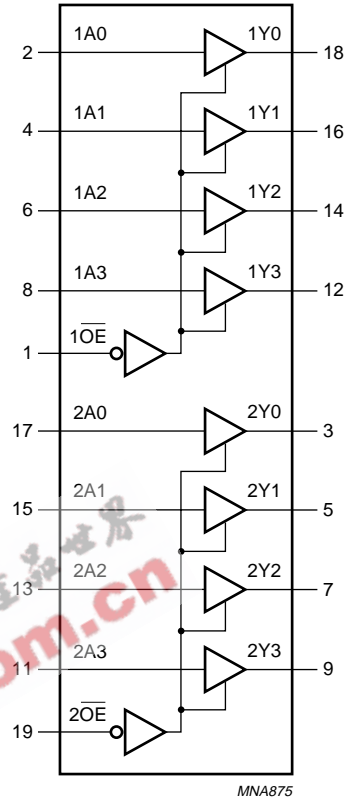


Fig.4 Functional diagram.

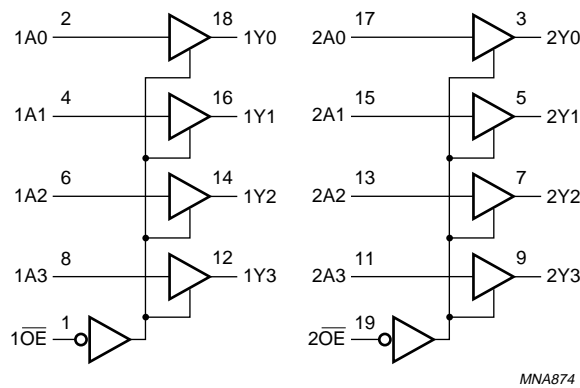


Fig.5 Logic symbol.

Octal buffer/line driver with 5 V tolerant inputs/outputs (3-state)

74LVC244A; 74LVCH244A

RECOMMENDED OPERATING CONDITIONS

SYMBOL	PARAMETER	CONDITIONS	MIN.	MAX.	UNIT
V _{CC}	supply voltage	for maximum speed performance	2.7	3.6	V
		for low-voltage applications	1.2	3.6	V
V _I	input voltage		0	5.5	V
V _O	output voltage	output HIGH or LOW state	0	V _{CC}	V
		output 3-state	0	5.5	V
T _{amb}	operating ambient temperature	in free air	-40	+125	°C
t _r , t _f	input rise and fall times	V _{CC} = 1.2 to 2.7 V	0	20	ns/V
		V _{CC} = 2.7 to 3.6 V	0	10	ns/V

LIMITING VALUES

In accordance with the Absolute Maximum Rating System (IEC 60134); voltages are referenced to GND (ground = 0 V).

SYMBOL	PARAMETER	CONDITIONS	MIN.	MAX.	UNIT
V _{CC}	supply voltage		-0.5	+6.5	V
I _{IK}	input diode current	V _I < 0		-50	mA
V _I	input voltage	note 1	-0.5	+6.5	V
I _{OK}	output diode current	V _O > V _{CC} or V _O < 0	-	±50	mA
V _O	output voltage	output HIGH or LOW state; note 1	-0.5	V _{CC} + 0.5	V
		output 3-state; note 1	-0.5	+6.5	V
I _O	output source or sink current	V _O = 0 to V _{CC}	-	±50	mA
I _{CC} , I _{GND}	V _{CC} or GND current		-	±100	mA
T _{stg}	storage temperature		-65	+150	°C
P _{tot}	power dissipation	T _{amb} = -40 to +125 °C; note 2	-	500	mW

Notes

- The input and output voltage ratings may be exceeded if the input and output current ratings are observed.
- For SO20 packages: above 70 °C derate linearly with 8 mW/K.
 - For SSOP20 and TSSOP20 packages: above 60 °C derate linearly with 5.5 mW/K.
 - For DHVQFN20 packages: above 60 °C derate linearly with 5.5 mW/K.

Octal buffer/line driver with 5 V tolerant inputs/outputs (3-state)

74LVC244A; 74LVCH244A

DC CHARACTERISTICS

At recommended operating conditions; voltages are referenced to GND (ground = 0 V).

SYMBOL	PARAMETER	TEST CONDITIONS		MIN.	TYP. ⁽¹⁾	MAX.	UNIT
		OTHER	V _{CC} (V)				
T_{amb} = -40 to +85 °C							
V _{IH}	HIGH-level input voltage		1.2	V _{CC}	–	–	V
			2.7 to 3.6	2.0	–	–	V
V _{IL}	LOW-level input voltage		1.2	–	–	GND	V
			2.7 to 3.6	–	–	0.8	V
V _{OH}	HIGH-level output voltage	V _I = V _{IH} or V _{IL} I _O = -100 μA	2.7 to 3.6	V _{CC} - 0.2	V _{CC}	–	V
		I _O = -12 mA	2.7	V _{CC} - 0.5	–	–	V
		I _O = -18 mA	3.0	V _{CC} - 0.6	–	–	V
		I _O = -24 mA	3.0	V _{CC} - 0.8	–	–	V
V _{OL}	LOW-level output voltage	V _I = V _{IH} or V _{IL} I _O = 100 μA	2.7 to 3.6	–	GND	0.20	V
		I _O = 12 mA	2.7	–	–	0.40	V
		I _O = 24 mA	3.0	–	–	0.55	V
I _{LI}	input leakage current	V _I = 5.5 V or GND; notes 2	3.6	–	±0.1	±5	μA
I _{OZ}	3-state output OFF-state current	V _I = V _{IH} or V _{IL} ; V _O = 5.5 V or GND; notes 2	3.6	–	0.1	±5	μA
I _{off}	power-off leakage supply current	V _I or V _O = 5.5 V	0.0	–	0.1	±10	μA
I _{CC}	quiescent supply current	V _I = V _{CC} or GND; I _O = 0	3.6	–	0.1	10	μA
ΔI _{CC}	additional quiescent supply current per input pin	V _I = V _{CC} - 0.6 V; I _O = 0	2.7 to 3.6	–	5	500	μA
I _{BH(L)}	bushold LOW sustaining current	V _I = 0.8 V; notes 3 and 4	3.0	75	–	–	μA
I _{BH(H)}	bushold HIGH sustaining current	V _I = 2.0 V; notes 3 and 4	3.0	-75	–	–	μA
I _{BH(LO)}	bushold LOW overdrive current	notes 3 and 5	3.6	500	–	–	μA
I _{BH(HO)}	bushold HIGH overdrive current	notes 3 and 5	3.6	-500	–	–	μA

Octal buffer/line driver with 5 V tolerant
inputs/outputs (3-state)

74LVC244A; 74LVCH244A

SYMBOL	PARAMETER	TEST CONDITIONS		MIN.	TYP. ⁽¹⁾	MAX.	UNIT
		OTHER	V _{CC} (V)				
T_{amb} = -40 to +125 °C							
V _{IH}	HIGH-level input voltage		1.2	V _{CC}	–	–	V
			2.7 to 3.6	2.0	–	–	V
V _{IL}	LOW-level input voltage		1.2	–	–	GND	V
			2.7 to 3.6	–	–	0.8	V
V _{OH}	HIGH-level output voltage	V _I = V _{IH} or V _{IL}	2.7 to 3.6	V _{CC} – 0.3	–	–	V
		I _O = –100 μA	2.7	V _{CC} – 0.65	–	–	V
		I _O = –12 mA	3.0	V _{CC} – 0.75	–	–	V
		I _O = –18 mA	3.0	V _{CC} – 1	–	–	V
V _{OL}	LOW-level output voltage	V _I = V _{IH} or V _{IL}	2.7 to 3.6	–	–	0.3	V
		I _O = 100 μA	2.7	–	–	0.6	V
		I _O = 12 mA	3.0	–	–	0.8	V
		I _O = 24 mA	3.0	–	–	0.8	V
I _{LI}	input leakage current	V _I = 5.5 V or GND; notes 2	3.6	–	–	±20	μA
I _{OZ}	3-state output OFF-state current	V _I = V _{IH} or V _{IL} ; V _O = 5.5 V or GND; notes 2	3.6	–	–	±20	μA
I _{off}	power-off leakage supply current	V _I or V _O = 5.5 V	0.0	–	–	±20	μA
I _{CC}	quiescent supply current	V _I = V _{CC} or GND; I _O = 0	3.6	–	–	40	μA
ΔI _{CC}	additional quiescent supply current per input pin	V _I = V _{CC} – 0.6 V; I _O = 0	2.7 to 3.6	–	–	5000	μA
I _{BH(L)}	bushold LOW sustaining current	V _I = 0.8 V; notes 3 and 4	3.0	60	–	–	μA
I _{BH(H)}	bushold HIGH sustaining current	V _I = 2.0 V; notes 3 and 4	3.0	–60	–	–	μA
I _{BH(LO)}	bushold LOW overdrive current	notes 3 and 5	3.6	500	–	–	μA
I _{BH(HO)}	bushold HIGH overdrive current	notes 3 and 5	3.6	–500	–	–	μA

Notes

1. All typical values are measured at V_{CC} = 3.3 V and T_{amb} = 25 °C.
2. For bushold parts, the bushold circuit is switched off when V_I > V_{CC} allowing 5.5 V on the input pin.
3. Valid for data inputs of bushold parts (74LVCH244A) only. For data inputs only, control inputs do not have a bushold circuit.
4. The specified sustaining current at the data inputs do not have a bushold circuit.
5. The specified overdrive current at the data input forces the data input to the opposite logic input state.

Octal buffer/line driver with 5 V tolerant inputs/outputs (3-state)

74LVC244A; 74LVCH244A

AC CHARACTERISTICSGND = 0 V; $t_r = t_f \leq 2.5$ ns.

SYMBOL	PARAMETER	TEST CONDITIONS		MIN.	TYP.	MAX.	UNIT
		WAVEFORMS	V _{CC} (V)				
T_{amb} = -40 to +85 °C							
t _{PHL} /t _{PLH}	propagation delay 1An to 1Yn, 2An to 2Yn	see Figs 6 and 8	1.2	–	17.0	–	ns
			2.7	1.5	3.3	6.9	ns
			3.0 to 3.6	1.5	2.8 ⁽¹⁾	5.9	ns
t _{PZH} /t _{PZL}	3-state output enable time 1 $\overline{O\bar{E}}$ to 1Yn, 2 $\overline{O\bar{E}}$ to 2Yn	see Figs 7 and 8	1.2	–	24.0	–	ns
			2.7	1.5	3.3	8.6	ns
			3.0 to 3.6	1.0	3.4 ⁽¹⁾	7.6	ns
t _{PHZ} /t _{PLZ}	3-state output disable time 1 $\overline{O\bar{E}}$ to 1Yn, 2 $\overline{O\bar{E}}$ to 2Yn	see Figs 7 and 8	1.2	–	9.0	–	ns
			2.7	1.5	3.2	6.8	ns
			3.0 to 3.6	1.5	2.9 ⁽¹⁾	5.8	ns
t _{sk(0)}	skew	note 2	–	–	1.0	ns	
T_{amb} = -40 to +125 °C							
t _{PHL} /t _{PLH}	propagation delay 1An to 1Yn, 2An to 2Yn	see Figs 6 and 8	1.2	–	–	–	ns
			2.7	1.5	–	9.0	ns
			3.0 to 3.6	1.5	–	7.5	ns
t _{PZH} /t _{PZL}	3-state output enable time 1 $\overline{O\bar{E}}$ to 1Yn, 2 $\overline{O\bar{E}}$ to 2Yn	see Figs 7 and 8	1.2	–	–	–	ns
			2.7	1.5	–	11	ns
			3.0 to 3.6	1.0	–	9.5	ns
t _{PHZ} /t _{PLZ}	3-state output disable time 1 $\overline{O\bar{E}}$ to 1Yn, 2 $\overline{O\bar{E}}$ to 2Yn	see Figs 7 and 8	1.2	–	–	–	ns
			2.7	1.5	–	8.5	ns
			3.0 to 3.6	1.5	–	7.5	ns
t _{sk(0)}	skew	note 2	–	–	1.5	ns	

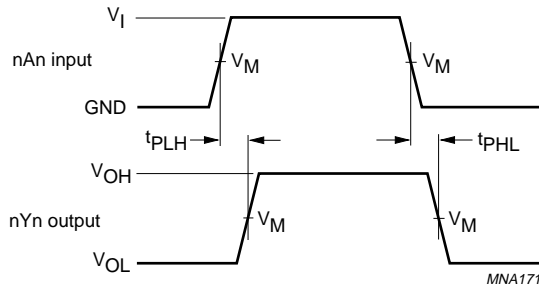
Notes

1. All typical values are measured at V_{CC} = 3.3 V and T_{amb} = 25 °C.
2. Skew between any two outputs of the same package switching in the same direction. This parameter is guaranteed by design.

Octal buffer/line driver with 5 V tolerant inputs/outputs (3-state)

74LVC244A; 74LVCH244A

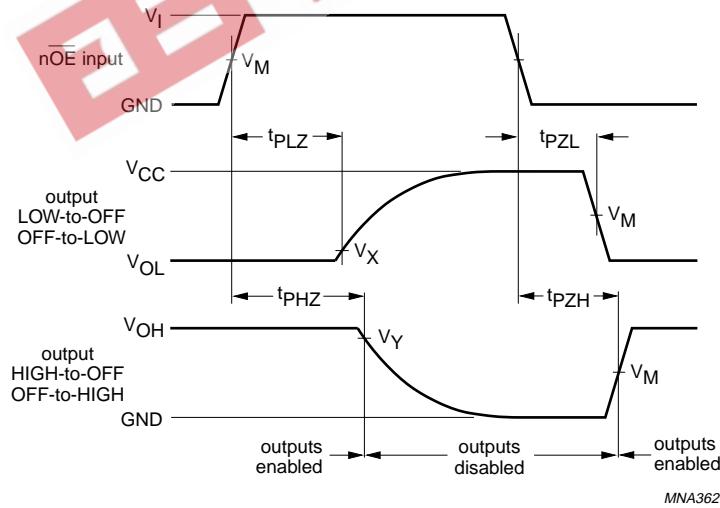
AC WAVEFORMS



$V_M = 1.5\text{ V}$ at $V_{CC} \geq 2.7\text{ V}$.
 $V_M = 0.5V_{CC}$ at $V_{CC} < 2.7\text{ V}$.

V_{OL} and V_{OH} are typical output voltage drop that occur with the output load.

Fig.6 Input nAn to output nYn propagation delays.



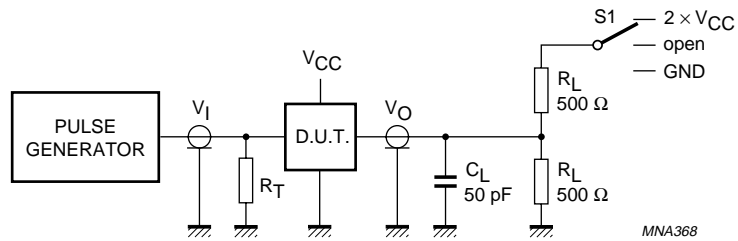
$V_M = 1.5\text{ V}$ at $V_{CC} \geq 2.7\text{ V}$.
 $V_M = 0.5V_{CC}$ at $V_{CC} < 2.7\text{ V}$.
 $V_X = V_{OL} + 0.3\text{ V}$ at $V_{CC} \geq 2.7\text{ V}$;
 $V_X = V_{OL} + 0.1V_{CC}$ at $V_{CC} < 2.7\text{ V}$.
 $V_Y = V_{OH} + 0.3\text{ V}$ at $V_{CC} \geq 2.7\text{ V}$;
 $V_Y = V_{OH} + 0.1V_{CC}$ at $V_{CC} < 2.7\text{ V}$.

V_{OL} and V_{OH} are typical output voltage drop that occur with the output load.

Fig.7 3-state enable and disable times.

Octal buffer/line driver with 5 V tolerant inputs/outputs (3-state)

74LVC244A; 74LVCH244A



MNA368

SWITCH POSITION	
TEST	S1
t_{PLH}/t_{PHL}	open
t_{PLZ}/t_{PZL}	$2 \times V_{CC}$
t_{PHZ}/t_{PZH}	GND

V_{CC}	V_{IN}
<2.7 V	V_{CC}
2.7 to 3.6 V	2.7 V

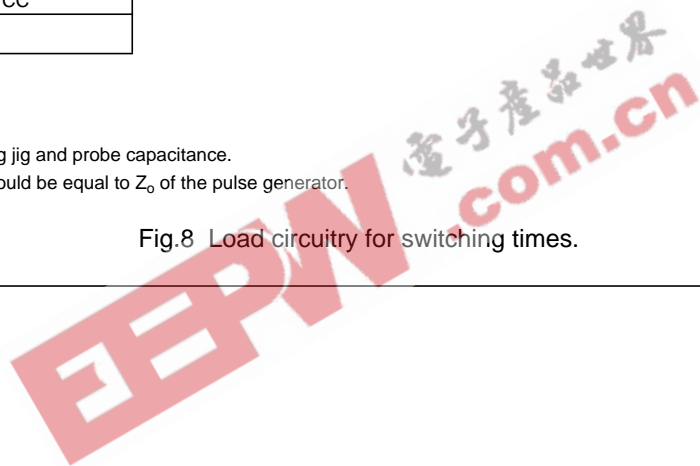
Definitions for test circuits:

R_L = Load resistor.

C_L = Load capacitance including jig and probe capacitance.

R_T = Termination resistance should be equal to Z_0 of the pulse generator.

Fig.8 Load circuitry for switching times.



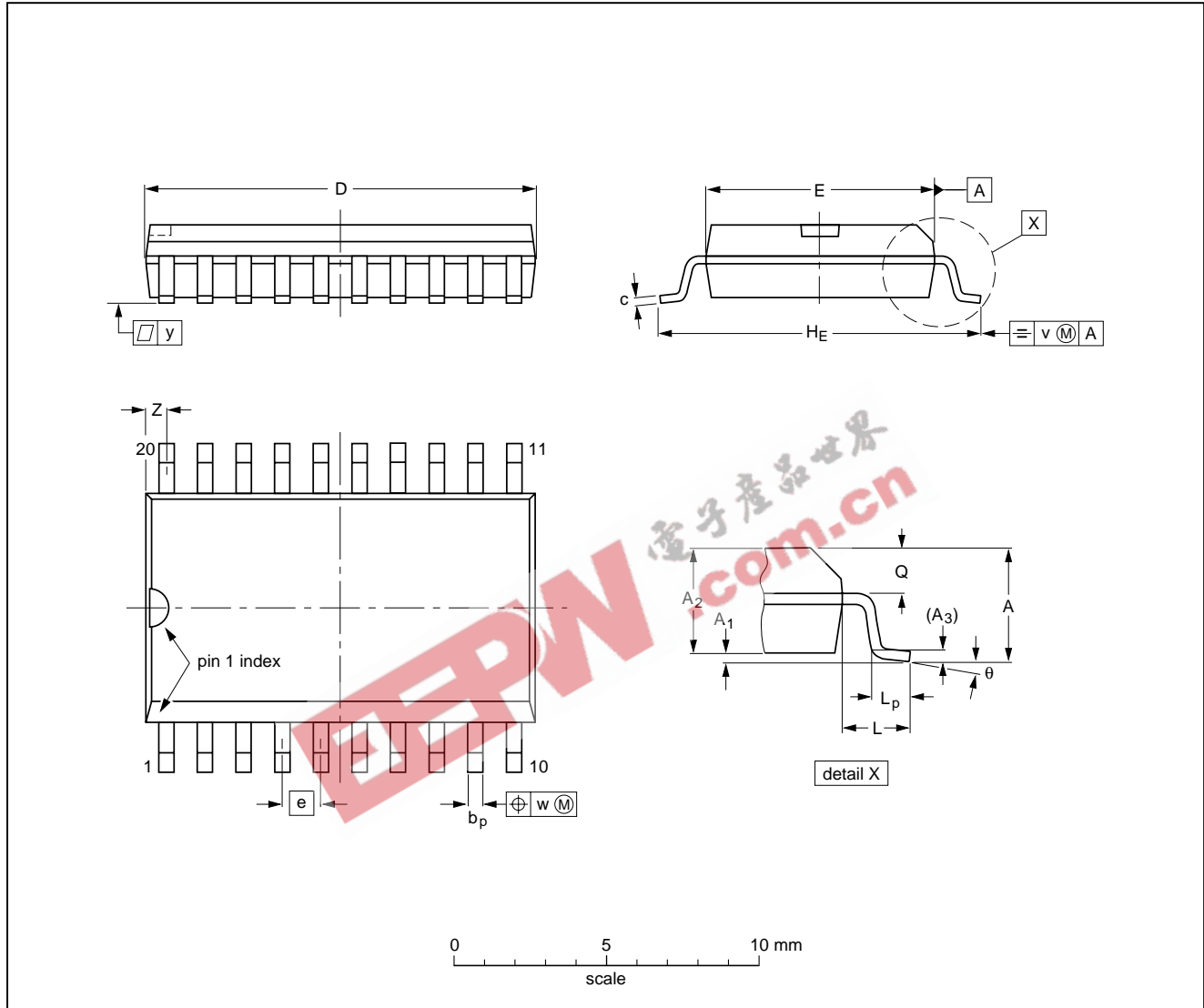
Octal buffer/line driver with 5 V tolerant inputs/outputs (3-state)

74LVC244A; 74LVCH244A

PACKAGE OUTLINES

SO20: plastic small outline package; 20 leads; body width 7.5 mm

SOT163-1



DIMENSIONS (inch dimensions are derived from the original mm dimensions)

UNIT	A max.	A ₁	A ₂	A ₃	b _p	c	D ⁽¹⁾	E ⁽¹⁾	e	H _E	L	L _p	Q	v	w	y	Z ⁽¹⁾	θ
mm	2.65	0.3 0.1	2.45 2.25	0.25	0.49 0.36	0.32 0.23	13.0 12.6	7.6 7.4	1.27	10.65 10.00	1.4	1.1 0.4	1.1 1.0	0.25	0.25	0.1	0.9 0.4	8° 0°
inches	0.1	0.012 0.004	0.096 0.089	0.01	0.019 0.014	0.013 0.009	0.51 0.49	0.30 0.29	0.05	0.419 0.394	0.055	0.043 0.016	0.043 0.039	0.01	0.01	0.004	0.035 0.016	

Note

1. Plastic or metal protrusions of 0.15 mm (0.006 inch) maximum per side are not included.

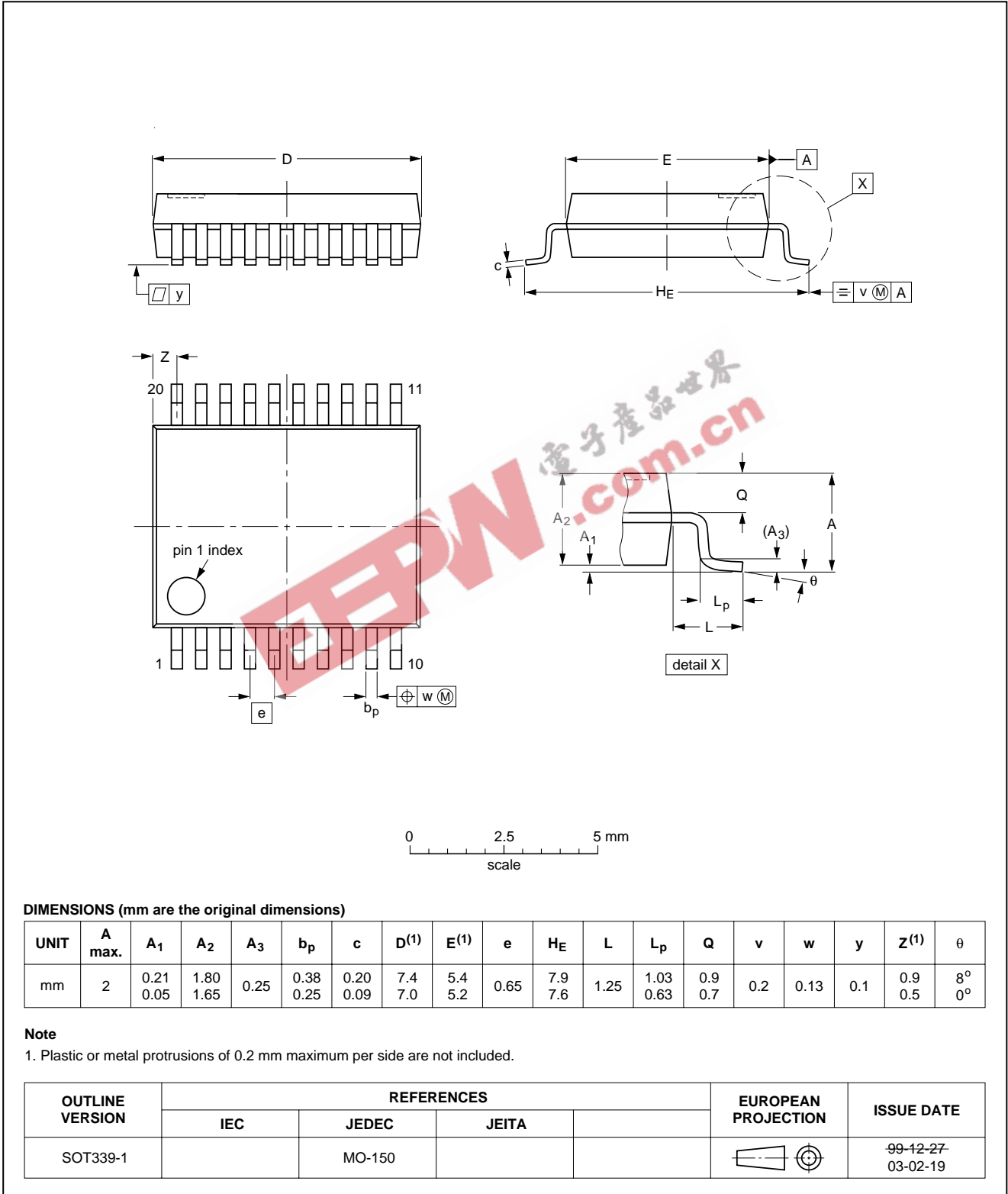
OUTLINE VERSION	REFERENCES				EUROPEAN PROJECTION	ISSUE DATE
	IEC	JEDEC	JEITA			
SOT163-1	075E04	MS-013				99-12-27 03-02-19

Octal buffer/line driver with 5 V tolerant inputs/outputs (3-state)

74LVC244A; 74LVCH244A

SSOP20: plastic shrink small outline package; 20 leads; body width 5.3 mm

SOT339-1

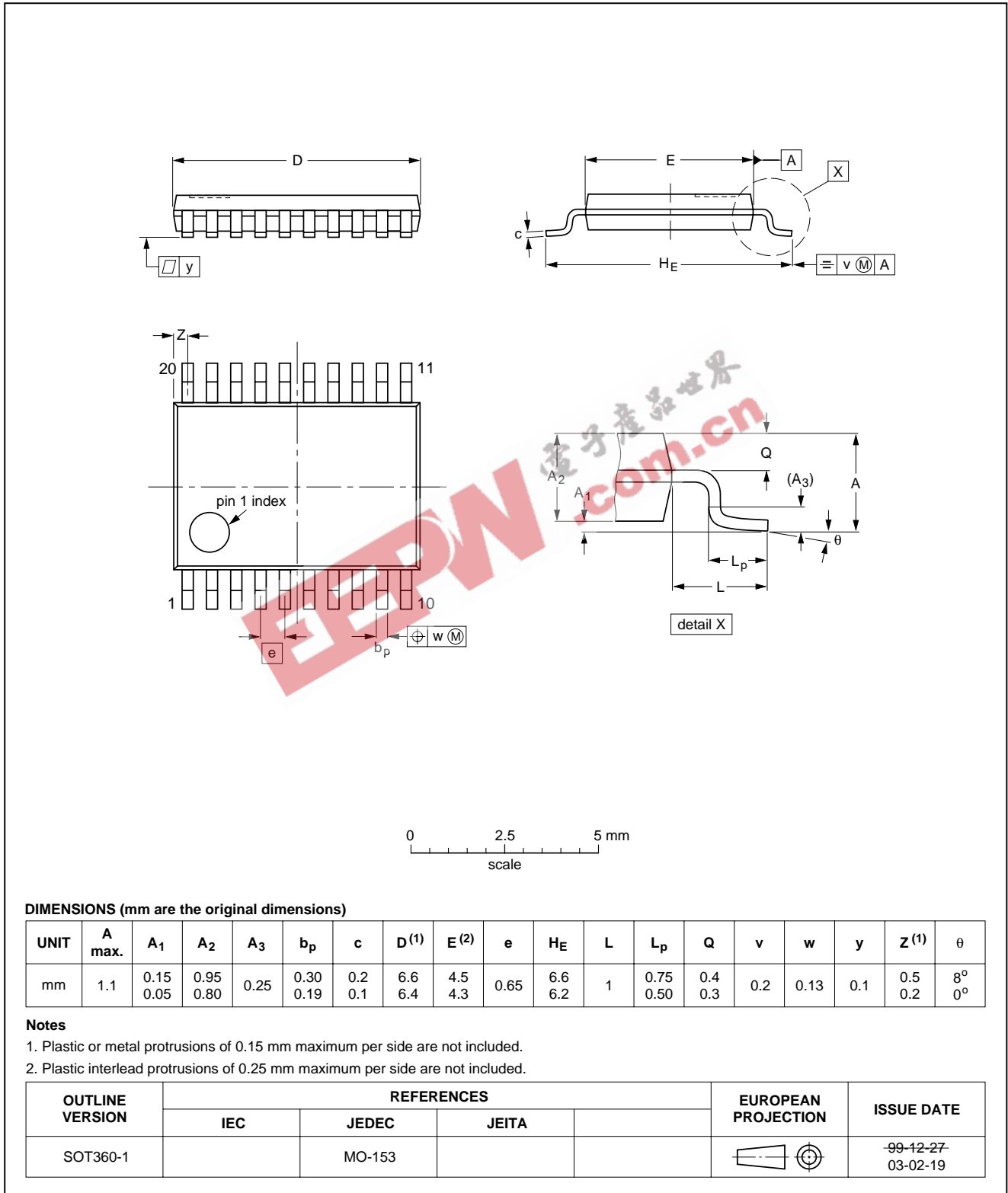


Octal buffer/line driver with 5 V tolerant inputs/outputs (3-state)

74LVC244A; 74LVCH244A

TSSOP20: plastic thin shrink small outline package; 20 leads; body width 4.4 mm

SOT360-1

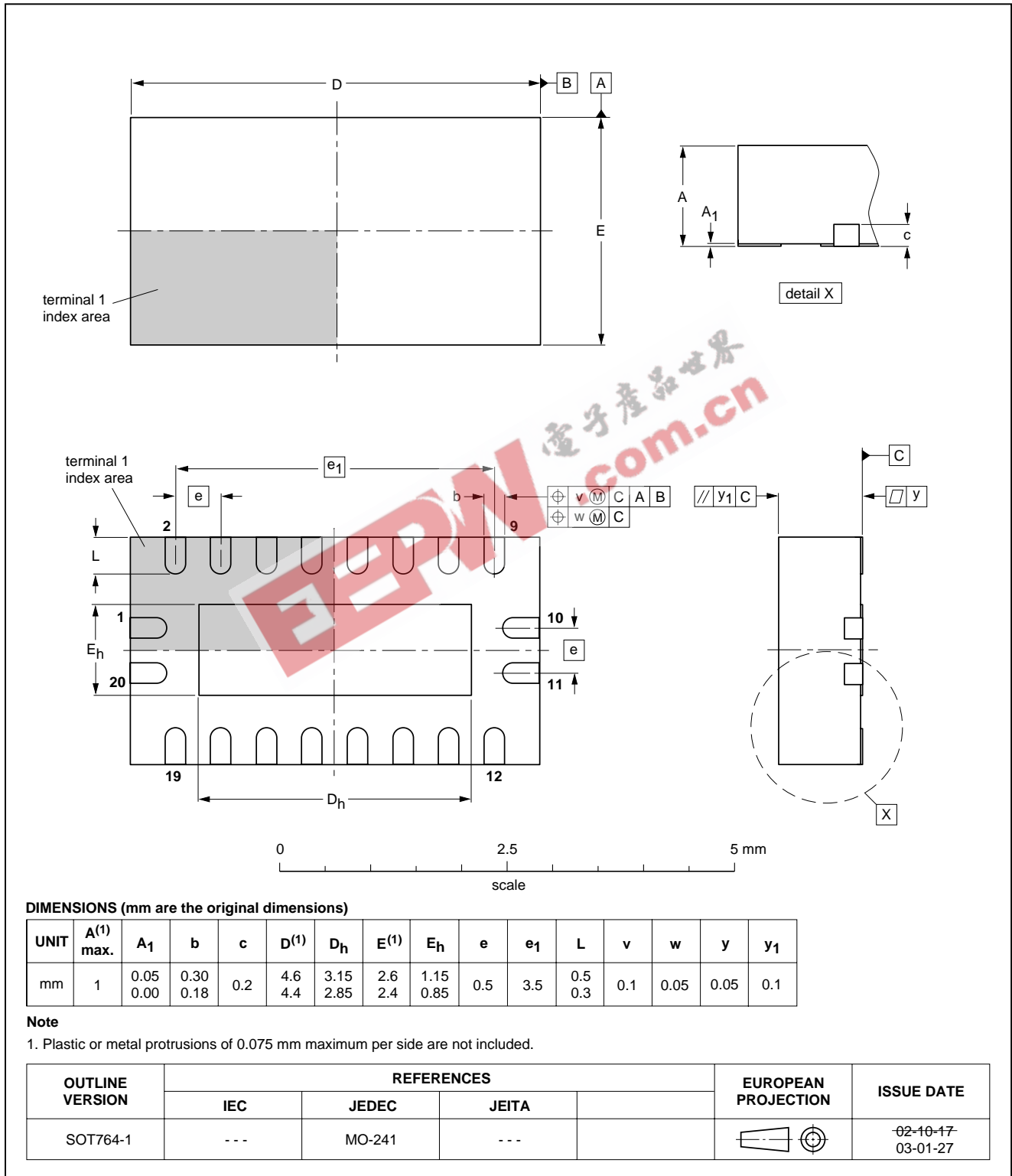


Octal buffer/line driver with 5 V tolerant inputs/outputs (3-state)

74LVC244A; 74LVCH244A

DHVQFN20: plastic dual in-line compatible thermal enhanced very thin quad flat package; no leads; 20 terminals; body 2.5 x 4.5 x 0.85 mm

SOT764-1



Octal buffer/line driver with 5 V tolerant inputs/outputs (3-state)

74LVC244A; 74LVCH244A

DATA SHEET STATUS

LEVEL	DATA SHEET STATUS ⁽¹⁾	PRODUCT STATUS ⁽²⁾⁽³⁾	DEFINITION
I	Objective data	Development	This data sheet contains data from the objective specification for product development. Philips Semiconductors reserves the right to change the specification in any manner without notice.
II	Preliminary data	Qualification	This data sheet contains data from the preliminary specification. Supplementary data will be published at a later date. Philips Semiconductors reserves the right to change the specification without notice, in order to improve the design and supply the best possible product.
III	Product data	Production	This data sheet contains data from the product specification. Philips Semiconductors reserves the right to make changes at any time in order to improve the design, manufacturing and supply. Relevant changes will be communicated via a Customer Product/Process Change Notification (CPCN).

Notes

1. Please consult the most recently issued data sheet before initiating or completing a design.
2. The product status of the device(s) described in this data sheet may have changed since this data sheet was published. The latest information is available on the Internet at URL <http://www.semiconductors.philips.com>.
3. For data sheets describing multiple type numbers, the highest-level product status determines the data sheet status.

DEFINITIONS

Short-form specification — The data in a short-form specification is extracted from a full data sheet with the same type number and title. For detailed information see the relevant data sheet or data handbook.

Limiting values definition — Limiting values given are in accordance with the Absolute Maximum Rating System (IEC 60134). Stress above one or more of the limiting values may cause permanent damage to the device. These are stress ratings only and operation of the device at these or at any other conditions above those given in the Characteristics sections of the specification is not implied. Exposure to limiting values for extended periods may affect device reliability.

Application information — Applications that are described herein for any of these products are for illustrative purposes only. Philips Semiconductors make no representation or warranty that such applications will be suitable for the specified use without further testing or modification.

DISCLAIMERS

Life support applications — These products are not designed for use in life support appliances, devices, or systems where malfunction of these products can reasonably be expected to result in personal injury. Philips Semiconductors customers using or selling these products for use in such applications do so at their own risk and agree to fully indemnify Philips Semiconductors for any damages resulting from such application.

Right to make changes — Philips Semiconductors reserves the right to make changes in the products - including circuits, standard cells, and/or software - described or contained herein in order to improve design and/or performance. When the product is in full production (status 'Production'), relevant changes will be communicated via a Customer Product/Process Change Notification (CPCN). Philips Semiconductors assumes no responsibility or liability for the use of any of these products, conveys no licence or title under any patent, copyright, or mask work right to these products, and makes no representations or warranties that these products are free from patent, copyright, or mask work right infringement, unless otherwise specified.

Philips Semiconductors – a worldwide company

Contact information

For additional information please visit <http://www.semiconductors.philips.com>. Fax: +31 40 27 24825
For sales offices addresses send e-mail to: sales.addresses@www.semiconductors.philips.com.

EEPW.com.cn 电子世界

© Koninklijke Philips Electronics N.V. 2003

SCA75

All rights are reserved. Reproduction in whole or in part is prohibited without the prior written consent of the copyright owner.

The information presented in this document does not form part of any quotation or contract, is believed to be accurate and reliable and may be changed without notice. No liability will be accepted by the publisher for any consequence of its use. Publication thereof does not convey nor imply any license under patent- or other industrial or intellectual property rights.

Printed in The Netherlands

R20/04/pp17

Date of release: 2003 Oct 30

Document order number: 9397 750 12177

Let's make things better.

**Philips
Semiconductors**



PHILIPS