

# DATA SHEET

EEPW 电子產品世界  
.com.cn

**74LV245**

Octal bus transceiver (3-State)

Product specification  
Supersedes data of 1997 Feb 19  
IC24 Data Handbook

1998 Apr 20

## Octal bus transceiver (3-State)

## 74LV245

## FEATURES

- Wide operating voltage: 1.0 to 5.5 V
- Optimized for low voltage applications: 1.0 to 3.6 V
- Accepts TTL input levels between  $V_{CC} = 2.7$  V and  $V_{CC} = 3.6$  V
- Typical  $V_{OLP}$  (output ground bounce) < 0.8 V at  $V_{CC} = 3.3$  V,  $T_{amb} = 25^{\circ}\text{C}$
- Typical  $V_{OHV}$  (output  $V_{OH}$  undershoot) > 2 V at  $V_{CC} = 3.3$  V,  $T_{amb} = 25^{\circ}\text{C}$
- Output capability: bus driver
- $I_{CC}$  category: MSI

## DESCRIPTION

The 74LV245 is a low-voltage Si-gate CMOS device and is pin and function compatible with 74HC/HCT245.

The 74LV245 is an octal transceiver featuring non-inverting 3-State bus compatible outputs in both send and receive directions. The 74LV245 features an output enable ( $\overline{OE}$ ) input for easy cascading and a send/receive (DIR) input for direction control.  $\overline{OE}$  controls the outputs so that the buses are effectively isolated.

## QUICK REFERENCE DATA

GND = 0 V;  $T_{amb} = 25^{\circ}\text{C}$ ;  $t_r = t_f \leq 2.5$  ns

| SYMBOL            | PARAMETER  | CONDITIONS   | TYPICAL | UNIT |
|-------------------|--|--|---------|------|
| $t_{PHL}/t_{PLH}$ | Propagation delay<br>$A_n$ to $B_n$ ; $B_n$ to $A_n$ | $C_L = 15$ pF;<br>$V_{CC} = 3.3$ V                         | 7.0     | ns   |
| $C_I$             | Input capacitance                                    |  | 3.5     | pF   |
| $C_{IO}$          | Input/output capacitance                             |  | 10      | pF   |
| $C_{PD}$          | Power dissipation capacitance per buffer             | $V_{CC} = 3.3$ V<br>$V_I = \text{GND to } V_{CC}$ , note 1 | 40      | pF   |

## NOTE:

1.  $C_{PD}$  is used to determine the dynamic power dissipation ( $P_D$  in  $\mu\text{W}$ )  
 $P_D = C_{PD} \times V_{CC}^2 \times f_i + \sum (C_L \times V_{CC}^2 \times f_o)$  where:  
 $f_i$  = input frequency in MHz;  $C_L$  = output load capacitance in pF;  
 $f_o$  = output frequency in MHz;  $V_{CC}$  = supply voltage in V;  
 $\sum (C_L \times V_{CC}^2 \times f_o)$  = sum of the outputs.

## ORDERING INFORMATION

| PACKAGES                    | TEMPERATURE RANGE                               | OUTSIDE NORTH AMERICA | NORTH AMERICA | PKG. DWG. # |
|-----------------------------|---|-----------------------|---------------|-------------|
| 20-Pin Plastic DIL          | $-40^{\circ}\text{C}$ to $+125^{\circ}\text{C}$ | 74LV245 N             | 74LV245 N     | SOT146-1    |
| 20-Pin Plastic SO           | $-40^{\circ}\text{C}$ to $+125^{\circ}\text{C}$ | 74LV245 D             | 74LV245 D     | SOT163-1    |
| 20-Pin Plastic SSOP Type II | $-40^{\circ}\text{C}$ to $+125^{\circ}\text{C}$ | 74LV245 DB            | 74LV245 DB    | SOT339-1    |
| 20-Pin Plastic TSSOP Type I | $-40^{\circ}\text{C}$ to $+125^{\circ}\text{C}$ | 74LV245 PW            | 74LV245PW DH  | SOT360-1    |

## PIN DESCRIPTION

| PIN NUMBER                        | SYMBOL          | FUNCTION                         |
|-----------------------------------|-----------------|----------------------------------|
| 1                                 | DIR             | Direction                        |
| 2, 3, 4, 5,<br>6, 7, 8, 9         | $A_0$ to $A_7$  | Data inputs/outputs              |
| 10                                | GND             | Ground (0 V)                     |
| 18, 17, 16, 15,<br>14, 13, 12, 11 | $B_0$ to $B_7$  | Data inputs/outputs              |
| 19                                | $\overline{OE}$ | Output enable input (active LOW) |
| 20                                | $V_{CC}$        | Positive supply voltage          |

## FUNCTION TABLE

| INPUTS          |     | INPUTS/OUTPUT |        |
|-----------------|-----|---------------|--------|
| $\overline{OE}$ | DIR | $A_n$         | $B_n$  |
| L               | L   | A = B         | Inputs |
| L               | H   | Inputs        | B = A  |
| H               | X   | Z             | Z      |

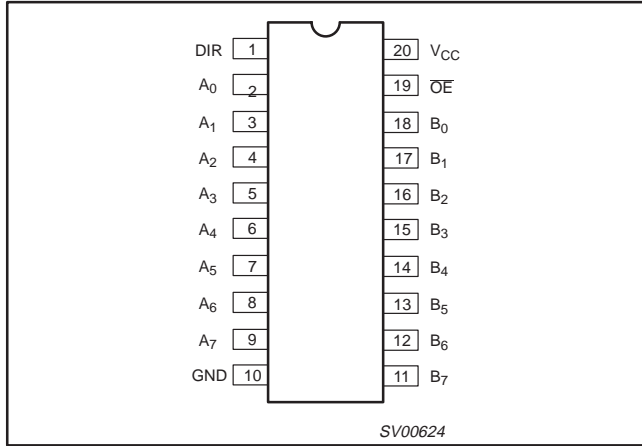
## NOTES:

- H = HIGH voltage level  
 L = LOW voltage level  
 X = don't care  
 Z = high impedance OFF-state

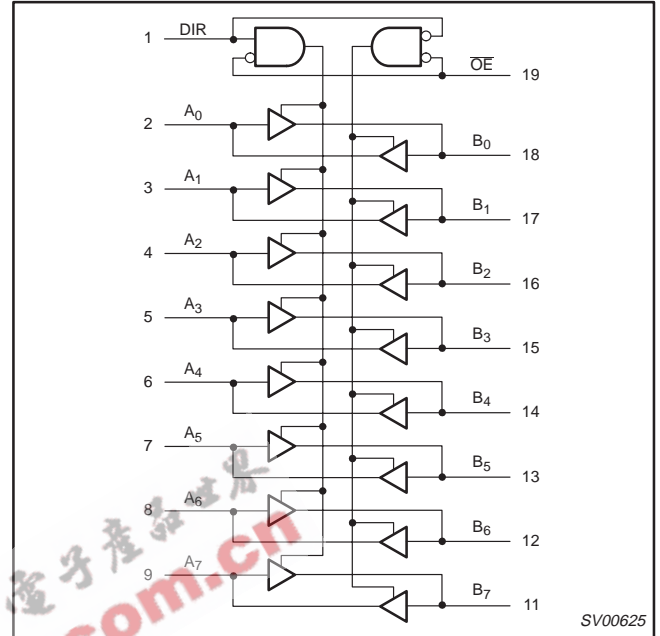
# Octal bus transceiver (3-State)

# 74LV245

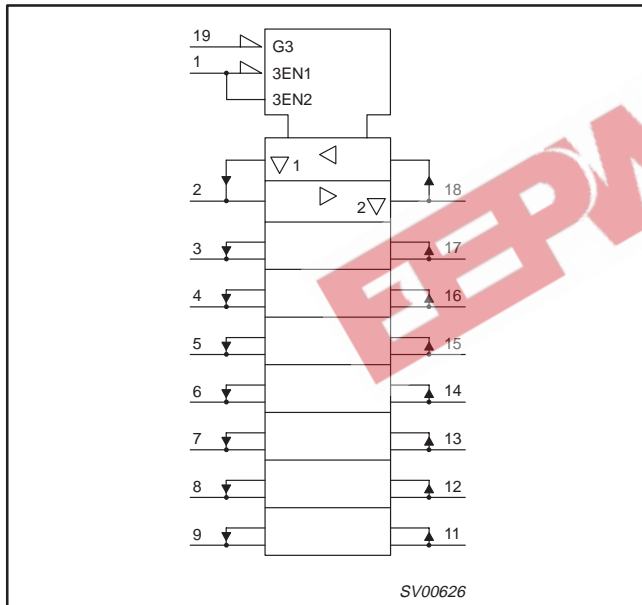
### PIN CONFIGURATION



### LOGIC SYMBOL



### LOGIC SYMBOL (IEEE/IEC)



## Octal bus transceiver (3-State)

74LV245

## RECOMMENDED OPERATING CONDITIONS

| SYMBOL     | PARAMETER                                       | CONDITIONS   | MIN              | TYP.             | MAX                     | UNIT |
|------------|---|--|------------------|------------------|-------------------------|------|
| $V_{CC}$   | DC supply voltage                               | See Note 1   | 1.0              | 3.3              | 5.5                     | V    |
| $V_I$      | Input voltage                                   |  | 0                | –                | $V_{CC}$                | V    |
| $V_O$      | Output voltage                                  |  | 0                | –                | $V_{CC}$                | V    |
| $T_{amb}$  | Operating ambient temperature range in free air | See DC and AC characteristics  | –40<br>–40       |                  | +85<br>+125             | °C   |
| $t_r, t_f$ | Input rise and fall times                       | $V_{CC} = 1.0V$ to $2.0V$<br>$V_{CC} = 2.0V$ to $2.7V$<br>$V_{CC} = 2.7V$ to $3.6V$<br>$V_{CC} = 3.6V$ to $5.5V$ | –<br>–<br>–<br>– | –<br>–<br>–<br>– | 500<br>200<br>100<br>50 | ns/V |

## NOTE:

- The LV is guaranteed to function down to  $V_{CC} = 1.0V$  (input levels GND or  $V_{CC}$ ); DC characteristics are guaranteed from  $V_{CC} = 1.2V$  to  $V_{CC} = 5.5V$ .

ABSOLUTE MAXIMUM RATINGS<sup>1, 2</sup>

In accordance with the Absolute Maximum Rating System (IEC 134).

Voltages are referenced to GND (ground = 0V).

| SYMBOL                         | PARAMETER   | CONDITIONS   | RATING            | UNIT |
|--------------------------------|---|--|-------------------|------|
| $V_{CC}$                       | DC supply voltage   |  | –0.5 to +7.0      | V    |
| $\pm I_{IK}$                   | DC input diode current  | $V_I < -0.5$ or $V_I > V_{CC} + 0.5V$  | 20                | mA   |
| $\pm I_{OK}$                   | DC output diode current   | $V_O < -0.5$ or $V_O > V_{CC} + 0.5V$  | 50                | mA   |
| $\pm I_O$                      | DC output source or sink current<br>– bus driver outputs  | $-0.5V < V_O < V_{CC} + 0.5V$  | 35                | mA   |
| $\pm I_{GND},$<br>$\pm I_{CC}$ | DC $V_{CC}$ or GND current for types with<br>– bus driver outputs   |  | 70                | mA   |
| $T_{stg}$                      | Storage temperature range   |  | –65 to +150       | °C   |
| $P_{TOT}$                      | Power dissipation per package<br>– plastic DIL<br>– plastic mini-pack (SO)<br>– plastic shrink mini-pack (SSOP and TSSOP) | for temperature range: –40 to +125°C<br>above +70°C derate linearly with 12 mW/K<br>above +70°C derate linearly with 8 mW/K<br>above +60°C derate linearly with 5.5 mW/K | 750<br>500<br>400 | mW   |

## NOTES:

- Stresses beyond those listed may cause permanent damage to the device. These are stress ratings only and functional operation of the device at these or any other conditions beyond those indicated under "recommended operating conditions" is not implied. Exposure to absolute-maximum-rated conditions for extended periods may affect device reliability.
- The input and output voltage ratings may be exceeded if the input and output current ratings are observed.

## Octal bus transceiver (3-State)

74LV245

**DC ELECTRICAL CHARACTERISTICS**

Over recommended operating conditions. Voltages are referenced to GND (ground = 0V).

| SYMBOL           | PARAMETER                                     | TEST CONDITIONS   | LIMITS                |                  |                       |                       |                       | UNIT |
|------------------|---|---|-----------------------|------------------|-----------------------|-----------------------|-----------------------|------|
|                  |   |   | -40°C to +85°C        |                  |                       | -40°C to +125°C       |                       |      |
|                  |   |   | MIN                   | TYP <sup>1</sup> | MAX                   | MIN                   | MAX                   |      |
| V <sub>IH</sub>  | HIGH level Input voltage                      | V <sub>CC</sub> = 1.2V  | 0.9                   |                  |                       | 0.9                   |                       | V    |
|                  |   | V <sub>CC</sub> = 2.0V  | 1.4                   |                  |                       | 1.4                   |                       |      |
|                  |   | V <sub>CC</sub> = 2.7 to 3.6V   | 2.0                   |                  |                       | 2.0                   |                       |      |
|                  |   | V <sub>CC</sub> = 4.5 to 5.5V   | 0.7 * V <sub>CC</sub> |                  |                       | 0.7 * V <sub>CC</sub> |                       |      |
| V <sub>IL</sub>  | LOW level Input voltage                       | V <sub>CC</sub> = 1.2V  |                       |                  | 0.3                   |                       | 0.3                   | V    |
|                  |   | V <sub>CC</sub> = 2.0V  |                       |                  | 0.6                   |                       | 0.6                   |      |
|                  |   | V <sub>CC</sub> = 2.7 to 3.6V   |                       |                  | 0.8                   |                       | 0.8                   |      |
|                  |   | V <sub>CC</sub> = 4.5 to 5.5  |                       |                  | 0.3 * V <sub>CC</sub> |                       | 0.3 * V <sub>CC</sub> |      |
| V <sub>OH</sub>  | HIGH level output voltage; all outputs        | V <sub>CC</sub> = 1.2V; V <sub>I</sub> = V <sub>IH</sub> or V <sub>IL</sub> ; -I <sub>O</sub> = 100µA                 |                       | 1.2              |                       |                       |                       | V    |
|                  |   | V <sub>CC</sub> = 2.0V; V <sub>I</sub> = V <sub>IH</sub> or V <sub>IL</sub> ; -I <sub>O</sub> = 100µA                 | 1.8                   | 2.0              |                       | 1.8                   |                       |      |
|                  |   | V <sub>CC</sub> = 2.7V; V <sub>I</sub> = V <sub>IH</sub> or V <sub>IL</sub> ; -I <sub>O</sub> = 100µA                 | 2.5                   | 2.7              |                       | 2.5                   |                       |      |
|                  |   | V <sub>CC</sub> = 3.0V; V <sub>I</sub> = V <sub>IH</sub> or V <sub>IL</sub> ; -I <sub>O</sub> = 100µA                 | 2.8                   | 3.0              |                       | 2.8                   |                       |      |
|                  |   | V <sub>CC</sub> = 4.5V; V <sub>I</sub> = V <sub>IH</sub> or V <sub>IL</sub> ; -I <sub>O</sub> = 100µA                 | 4.3                   | 4.5              |                       | 4.3                   |                       |      |
| V <sub>OH</sub>  | HIGH level output voltage; BUS driver outputs | V <sub>CC</sub> = 3.0V; V <sub>I</sub> = V <sub>IH</sub> or V <sub>IL</sub> ; -I <sub>O</sub> = 8mA                   | 2.40                  | 2.82             |                       | 2.20                  |                       | V    |
|                  |   | V <sub>CC</sub> = 4.5V; V <sub>I</sub> = V <sub>IH</sub> or V <sub>IL</sub> ; -I <sub>O</sub> = 16mA                  | 3.60                  | 4.20             |                       | 3.50                  |                       |      |
| V <sub>OL</sub>  | LOW level output voltage; all outputs         | V <sub>CC</sub> = 1.2V; V <sub>I</sub> = V <sub>IH</sub> or V <sub>IL</sub> ; I <sub>O</sub> = 100µA                  |                       | 0                |                       |                       |                       | V    |
|                  |   | V <sub>CC</sub> = 2.0V; V <sub>I</sub> = V <sub>IH</sub> or V <sub>IL</sub> ; I <sub>O</sub> = 100µA                  |                       | 0                | 0.2                   |                       | 0.2                   |      |
|                  |   | V <sub>CC</sub> = 2.7V; V <sub>I</sub> = V <sub>IH</sub> or V <sub>IL</sub> ; I <sub>O</sub> = 100µA                  |                       | 0                | 0.2                   |                       | 0.2                   |      |
|                  |   | V <sub>CC</sub> = 3.0V; V <sub>I</sub> = V <sub>IH</sub> or V <sub>IL</sub> ; I <sub>O</sub> = 100µA                  |                       | 0                | 0.2                   |                       | 0.2                   |      |
|                  |   | V <sub>CC</sub> = 4.5V; V <sub>I</sub> = V <sub>IH</sub> or V <sub>IL</sub> ; I <sub>O</sub> = 100µA                  |                       | 0                | 0.2                   |                       | 0.2                   |      |
| V <sub>OL</sub>  | LOW level output voltage; BUS driver outputs  | V <sub>CC</sub> = 3.0V; V <sub>I</sub> = V <sub>IH</sub> or V <sub>IL</sub> ; I <sub>O</sub> = 8mA                    |                       | 0.20             | 0.40                  |                       | 0.50                  | V    |
|                  |   | V <sub>CC</sub> = 4.5V; V <sub>I</sub> = V <sub>IH</sub> or V <sub>IL</sub> ; I <sub>O</sub> = 16mA                   |                       | 0.35             | 0.55                  |                       | 0.65                  |      |
| I <sub>I</sub>   | Input leakage current                         | V <sub>CC</sub> = 5.5V; V <sub>I</sub> = V <sub>CC</sub> or GND   |                       |                  | 1.0                   |                       | 1.0                   | µA   |
| I <sub>OZ</sub>  | 3-State output OFF-state current              | V <sub>CC</sub> = 5.5V; V <sub>I</sub> = V <sub>IH</sub> or V <sub>IL</sub> ; V <sub>O</sub> = V <sub>CC</sub> or GND |                       |                  | 5                     |                       | 10                    | µA   |
| I <sub>CC</sub>  | Quiescent supply current; MSI                 | V <sub>CC</sub> = 5.5V; V <sub>I</sub> = V <sub>CC</sub> or GND; I <sub>O</sub> = 0                                   |                       |                  | 20.0                  |                       | 160                   | µA   |
| ΔI <sub>CC</sub> | Additional quiescent supply current           | V <sub>CC</sub> = 2.7V to 3.6V; V <sub>I</sub> = V <sub>CC</sub> - 0.6V   |                       |                  | 500                   |                       | 850                   | µA   |

**NOTE:**1. All typical values are measured at T<sub>amb</sub> = 25°C.

# Octal bus transceiver (3-State)

74LV245

## AC CHARACTERISTICS

GND = 0V;  $t_r = t_f \leq 2.5\text{ns}$ ;  $C_L = 50\text{pF}$ ;  $R_L = 1\text{K}\Omega$

| SYMBOL            | PARAMETER   | WAVEFORM          | CONDITION           | LIMITS        |                  |     |                |     | UNIT |
|-------------------|---|-------------------|---------------------|---------------|------------------|-----|----------------|-----|------|
|                   |   |                   |                     | -40 to +85 °C |                  |     | -40 to +125 °C |     |      |
|                   |   |                   |                     | MIN           | TYP <sup>1</sup> | MAX | MIN            | MAX |      |
| $t_{PHL}/t_{PLH}$ | Propagation delay<br>A <sub>n</sub> to B <sub>n</sub> ;<br>B <sub>n</sub> to A <sub>n</sub> | Figures 1         | V <sub>CC</sub> (V) |               |                  |     |                |     | ns   |
|                   |   |                   | 1.2                 |               | 45               | 28  |                |     |      |
|                   |   |                   | 2.0                 |               | 15               | 28  |                | 34  |      |
|                   |   |                   | 2.7                 |               | 11               | 19  |                | 24  |      |
|                   |   |                   | 3.0 to 3.6          |               | 9 <sup>2</sup>   | 16  |                | 20  |      |
| 4.5 to 5.5        |   | 8 <sup>3</sup>    | 11                  |               | 14               |     |                |     |      |
| $t_{PZH}/t_{PZL}$ | 3-State output enable time<br>OE to A <sub>n</sub> ;<br>OE to B <sub>n</sub>                | Figures 2         | V <sub>CC</sub> (V) |               |                  |     |                |     | ns   |
|                   |   |                   | 1.2                 |               | 55               |     |                |     |      |
|                   |   |                   | 2.0                 |               | 19               | 31  |                | 39  |      |
|                   |   |                   | 2.7                 |               | 14               | 23  |                | 29  |      |
|                   |   |                   | 3.0 to 3.6          |               | 10 <sup>2</sup>  | 18  |                | 23  |      |
| 4.5 to 5.5        |   | 8.5 <sup>3</sup>  | 14                  |               | 18               |     |                |     |      |
| $t_{PHZ}/t_{PLZ}$ | 3-State output disable time<br>OE to A <sub>n</sub> ;<br>OE to B <sub>n</sub>               | Figures 2         | V <sub>CC</sub> (V) |               |                  |     |                |     | ns   |
|                   |   |                   | 1.2                 |               | 65               |     |                |     |      |
|                   |   |                   | 2.0                 |               | 24               | 32  |                | 39  |      |
|                   |   |                   | 2.7                 |               | 18               | 24  |                | 29  |      |
|                   |   |                   | 3.0 to 3.6          |               | 14 <sup>2</sup>  | 20  |                | 24  |      |
| 4.5 to 5.5        |   | 11.5 <sup>3</sup> | 16                  |               | 19               |     |                |     |      |

**NOTES:**

1. Unless otherwise stated, all typical values are measured at T<sub>amb</sub> = 25°C
2. Typical values are measured at V<sub>CC</sub> = 3.3 V.
3. Typical values are measured at V<sub>CC</sub> = 5.0 V.

## AC WAVEFORMS

V<sub>M</sub> = 1.5 V at V<sub>CC</sub> ≥ 2.7 V and ≤ 3.6 V  
 V<sub>M</sub> = 0.5 V × V<sub>CC</sub> at V<sub>CC</sub> < 2.7 V and ≥ 4.5 V  
 V<sub>OL</sub> and V<sub>OH</sub> are the typical output voltage drop that occur with the output load.  
 V<sub>X</sub> = V<sub>OL</sub> + 0.3 V at V<sub>CC</sub> ≥ 2.7 V and ≤ 3.6 V  
 V<sub>X</sub> = V<sub>OL</sub> + 0.1 × V<sub>CC</sub> at V<sub>CC</sub> < 2.7 V and ≥ 4.5 V  
 V<sub>Y</sub> = V<sub>OH</sub> - 0.3 V at V<sub>CC</sub> ≥ 2.7 V and ≤ 3.6 V  
 V<sub>Y</sub> = V<sub>OH</sub> - 0.1 × V<sub>CC</sub> at V<sub>CC</sub> < 2.7 V and ≥ 4.5 V

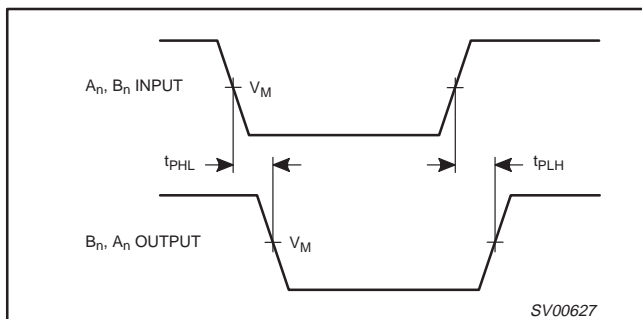


Figure 1. Input (A<sub>n</sub>, B<sub>n</sub>) to output (B<sub>n</sub>, A<sub>n</sub>) propagation delays and the output transition times.

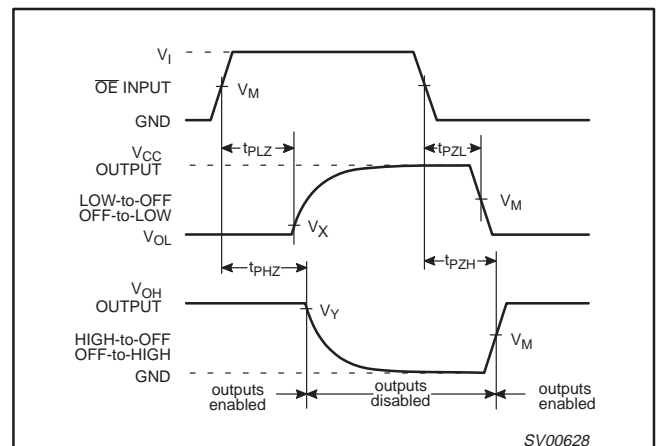


Figure 2. 3-State enable and disable times.

# Octal bus transceiver (3-State)

74LV245

## TEST CIRCUIT

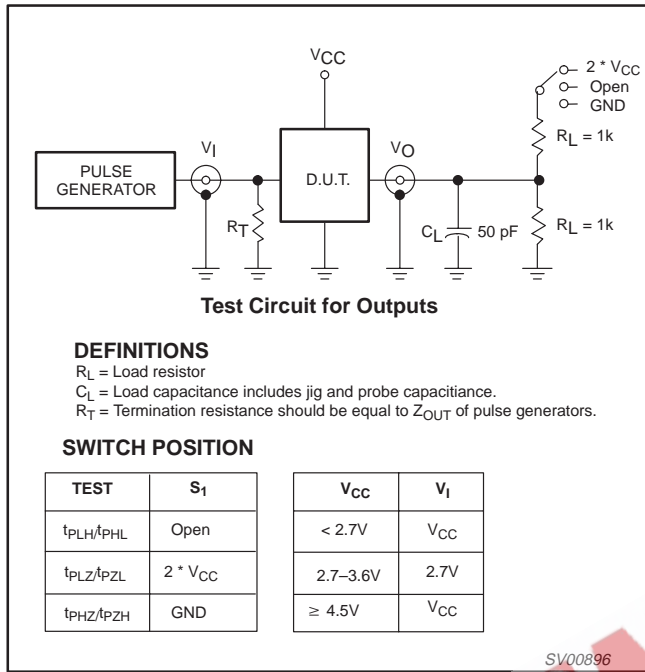
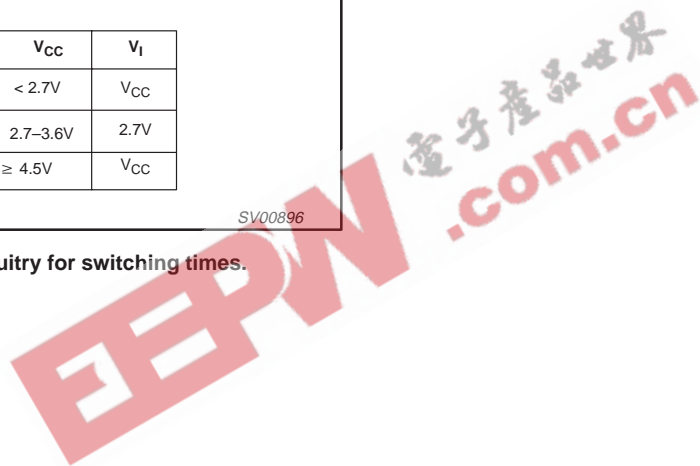


Figure 3. Load circuitry for switching times.

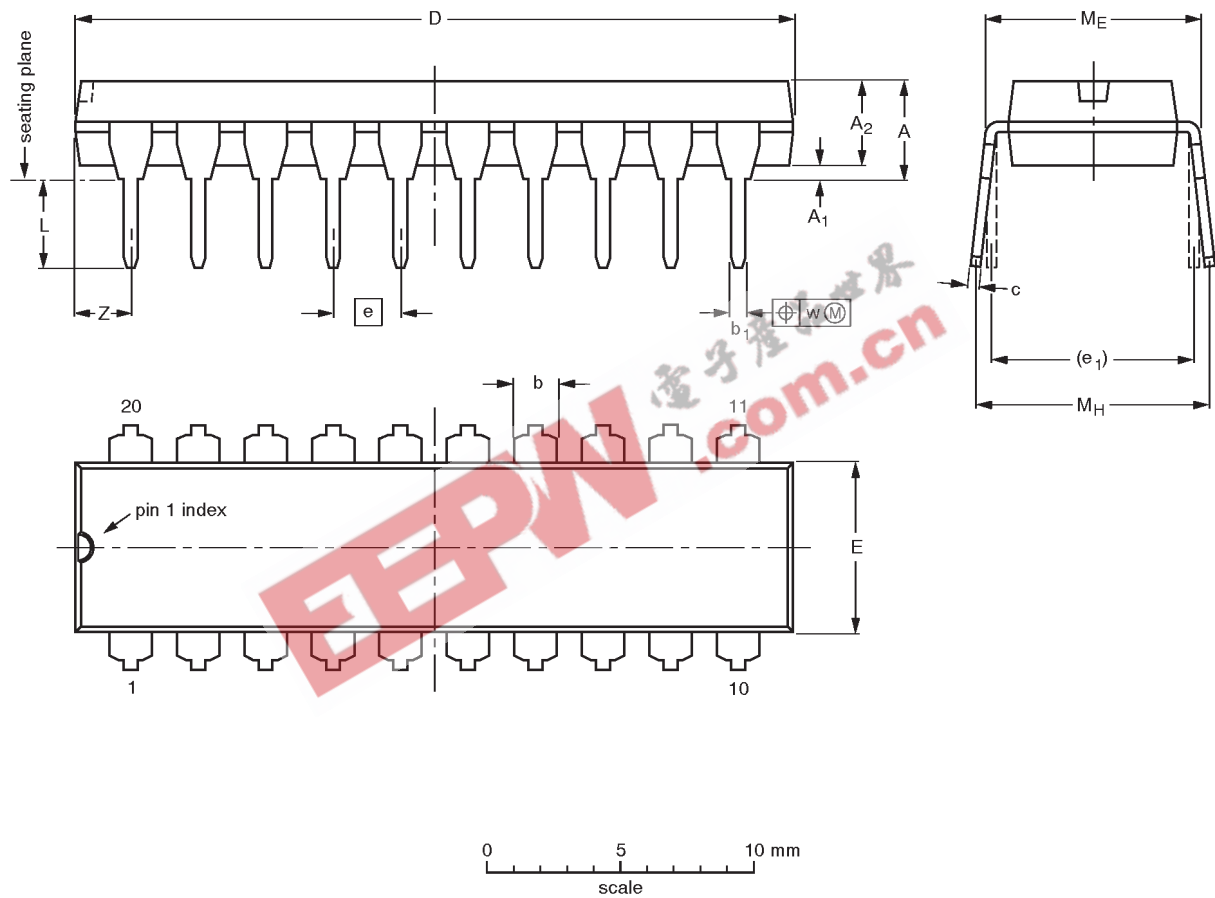


Octal bus transceiver (3-State)

74LV245

DIP20: plastic dual in-line package; 20 leads (300 mil)

SOT146-1



DIMENSIONS (inch dimensions are derived from the original mm dimensions)

| UNIT   | A max. | A <sub>1</sub> min. | A <sub>2</sub> max. | b              | b <sub>1</sub> | c              | D <sup>(1)</sup> | E <sup>(1)</sup> | e    | e <sub>1</sub> | L            | M <sub>E</sub> | M <sub>H</sub> | w     | Z <sup>(1)</sup> max. |
|--------|--------|---------------------|---------------------|----------------|----------------|----------------|------------------|------------------|------|----------------|--------------|----------------|----------------|-------|-----------------------|
| mm     | 4.2    | 0.51                | 3.2                 | 1.73<br>1.30   | 0.53<br>0.38   | 0.36<br>0.23   | 26.92<br>26.54   | 6.40<br>6.22     | 2.54 | 7.62           | 3.60<br>3.05 | 8.25<br>7.80   | 10.0<br>8.3    | 0.254 | 2.0                   |
| inches | 0.17   | 0.020               | 0.13                | 0.068<br>0.051 | 0.021<br>0.015 | 0.014<br>0.009 | 1.060<br>1.045   | 0.25<br>0.24     | 0.10 | 0.30           | 0.14<br>0.12 | 0.32<br>0.31   | 0.39<br>0.33   | 0.01  | 0.078                 |

Note

1. Plastic or metal protrusions of 0.25 mm maximum per side are not included.

| OUTLINE VERSION | REFERENCES |       |       |  | EUROPEAN PROJECTION | ISSUE DATE           |
|-----------------|------------|-------|-------|--|---------------------|----------------------|
|                 | IEC        | JEDEC | EIAJ  |  |                     |                      |
| SOT146-1        |            |       | SC603 |  |                     | 92-11-17<br>95-05-24 |

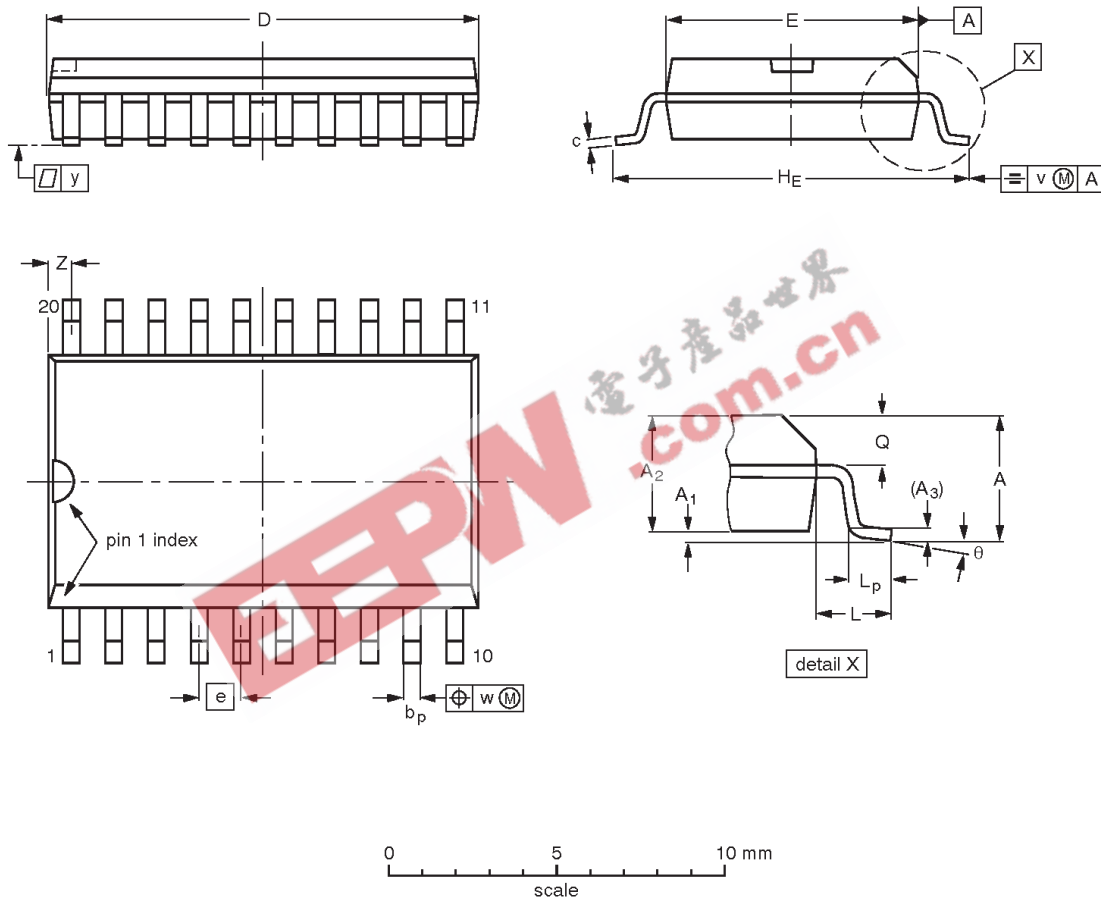


Octal bus transceiver (3-State)

74LV245

SO20: plastic small outline package; 20 leads; body width 7.5 mm

SOT163-1



DIMENSIONS (inch dimensions are derived from the original mm dimensions)

| UNIT   | A max. | A <sub>1</sub> | A <sub>2</sub> | A <sub>3</sub> | b <sub>p</sub> | c              | D <sup>(1)</sup> | E <sup>(1)</sup> | e     | H <sub>E</sub> | L     | L <sub>p</sub> | Q              | v    | w    | y     | z <sup>(1)</sup> | θ        |
|--------|--------|----------------|----------------|----------------|----------------|----------------|------------------|------------------|-------|----------------|-------|----------------|----------------|------|------|-------|------------------|----------|
| mm     | 2.65   | 0.30<br>0.10   | 2.45<br>2.25   | 0.25           | 0.49<br>0.36   | 0.32<br>0.23   | 13.0<br>12.6     | 7.6<br>7.4       | 1.27  | 10.65<br>10.00 | 1.4   | 1.1<br>0.4     | 1.1<br>1.0     | 0.25 | 0.25 | 0.1   | 0.9<br>0.4       | 8°<br>0° |
| inches | 0.10   | 0.012<br>0.004 | 0.096<br>0.089 | 0.01           | 0.019<br>0.014 | 0.013<br>0.009 | 0.51<br>0.49     | 0.30<br>0.29     | 0.050 | 0.42<br>0.39   | 0.055 | 0.043<br>0.016 | 0.043<br>0.039 | 0.01 | 0.01 | 0.004 | 0.035<br>0.016   |          |

Note

1. Plastic or metal protrusions of 0.15 mm maximum per side are not included.

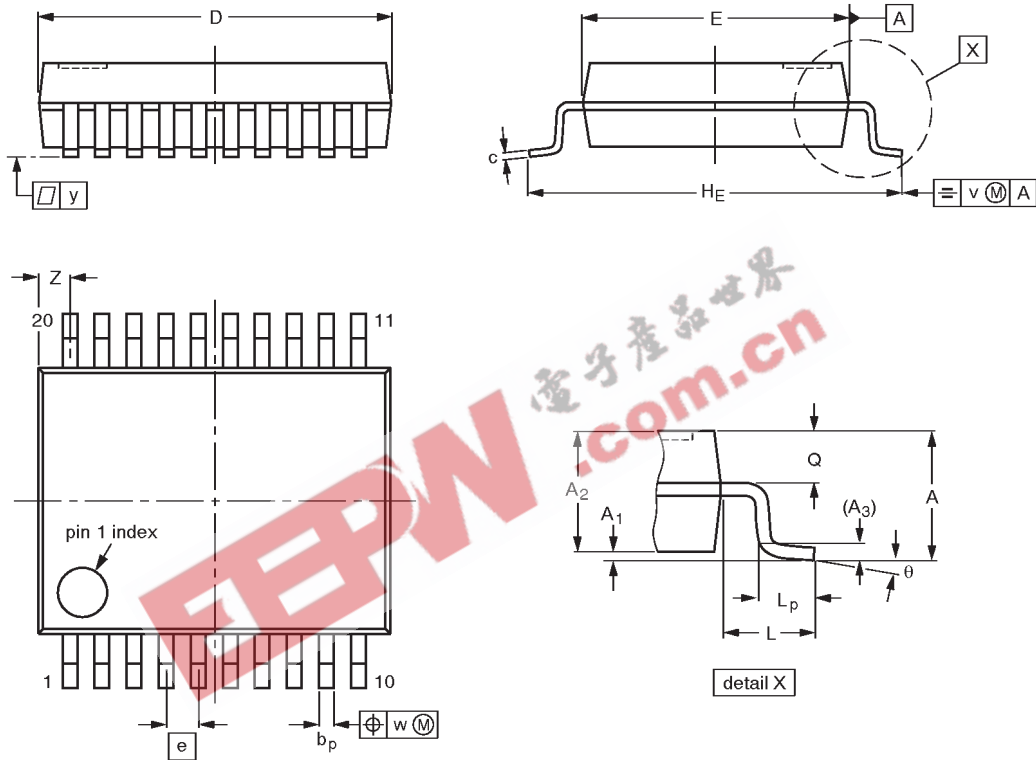
| OUTLINE VERSION | REFERENCES |          |      |  | EUROPEAN PROJECTION | ISSUE DATE           |
|-----------------|------------|----------|------|--|---------------------|----------------------|
|                 | IEC        | JEDEC    | EIAJ |  |                     |                      |
| SOT163-1        | 075E04     | MS-013AC |      |  |                     | 92-11-17<br>95-01-24 |

Octal bus transceiver (3-State)

74LV245

SSOP20: plastic shrink small outline package; 20 leads; body width 5.3 mm

SOT339-1



DIMENSIONS (mm are the original dimensions)

| UNIT | A max. | A <sub>1</sub> | A <sub>2</sub> | A <sub>3</sub> | b <sub>p</sub> | c            | D <sup>(1)</sup> | E <sup>(1)</sup> | e    | H <sub>E</sub> | L    | L <sub>p</sub> | Q          | v   | w    | y   | z <sup>(1)</sup> | θ        |
|------|--------|----------------|----------------|----------------|----------------|--------------|------------------|------------------|------|----------------|------|----------------|------------|-----|------|-----|------------------|----------|
| mm   | 2.0    | 0.21<br>0.05   | 1.80<br>1.65   | 0.25           | 0.38<br>0.25   | 0.20<br>0.09 | 7.4<br>7.0       | 5.4<br>5.2       | 0.65 | 7.9<br>7.6     | 1.25 | 1.03<br>0.63   | 0.9<br>0.7 | 0.2 | 0.13 | 0.1 | 0.9<br>0.5       | 8°<br>0° |

Note

1. Plastic or metal protrusions of 0.20 mm maximum per side are not included.

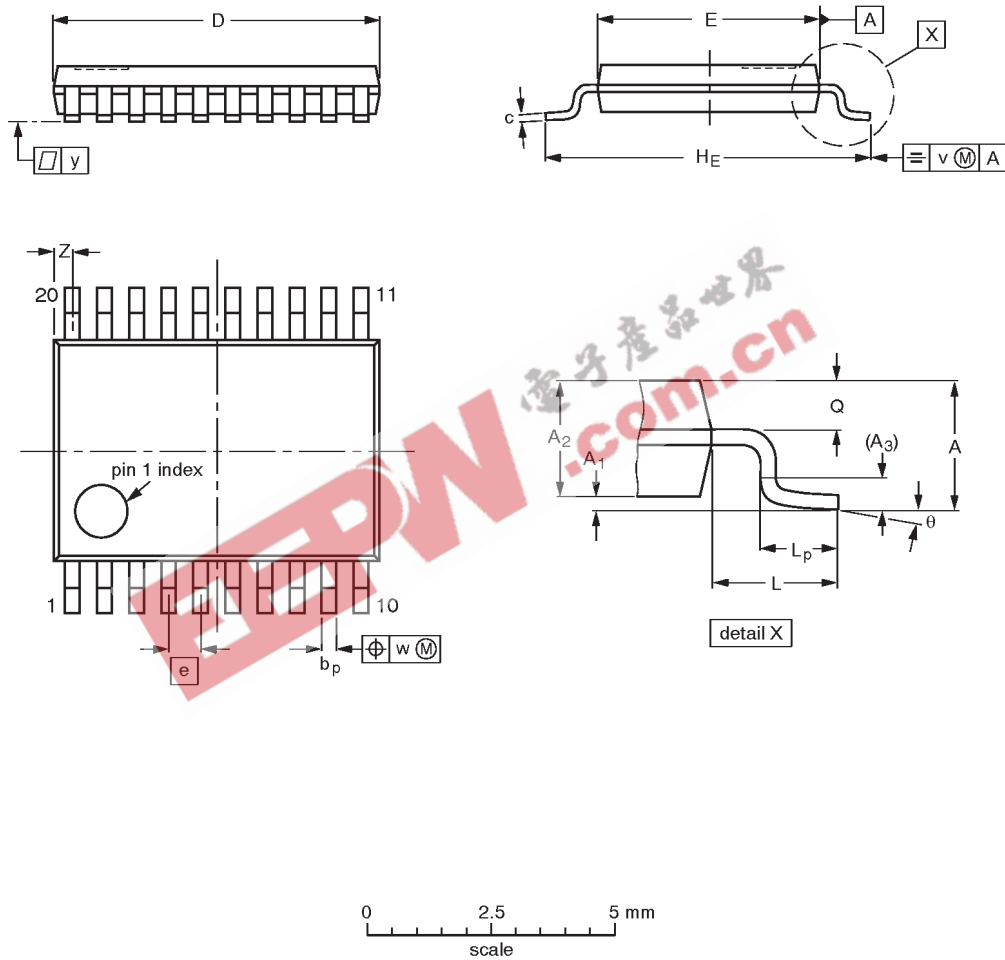
| OUTLINE VERSION | REFERENCES |          |      |  | EUROPEAN PROJECTION | ISSUE DATE           |
|-----------------|------------|----------|------|--|---------------------|----------------------|
|                 | IEC        | JEDEC    | EIAJ |  |                     |                      |
| SOT339-1        |            | MO-150AE |      |  |                     | 93-09-08<br>95-02-04 |

Octal bus transceiver (3-State)

74LV245

TSSOP20: plastic thin shrink small outline package; 20 leads; body width 4.4 mm

SOT360-1



DIMENSIONS (mm are the original dimensions)

| UNIT | A max. | A <sub>1</sub> | A <sub>2</sub> | A <sub>3</sub> | b <sub>p</sub> | c          | D <sup>(1)</sup> | E <sup>(2)</sup> | e    | H <sub>E</sub> | L   | L <sub>p</sub> | Q          | v   | w    | y   | Z <sup>(1)</sup> | $\theta$ |
|------|--------|----------------|----------------|----------------|----------------|------------|------------------|------------------|------|----------------|-----|----------------|------------|-----|------|-----|------------------|----------|
| mm   | 1.10   | 0.15<br>0.05   | 0.95<br>0.80   | 0.25           | 0.30<br>0.19   | 0.2<br>0.1 | 6.6<br>6.4       | 4.5<br>4.3       | 0.65 | 6.6<br>6.2     | 1.0 | 0.75<br>0.50   | 0.4<br>0.3 | 0.2 | 0.13 | 0.1 | 0.5<br>0.2       | 8°<br>0° |

Notes

1. Plastic or metal protrusions of 0.15 mm maximum per side are not included.
2. Plastic interlead protrusions of 0.25 mm maximum per side are not included.

| OUTLINE VERSION | REFERENCES |          |      |  | EUROPEAN PROJECTION | ISSUE DATE           |
|-----------------|------------|----------|------|--|---------------------|----------------------|
|                 | IEC        | JEDEC    | EIAJ |  |                     |                      |
| SOT360-1        |            | MO-153AC |      |  |                     | 93-06-16<br>95-02-04 |

## Octal bus transceiver (3-State)

74LV245

## DEFINITIONS

| Data Sheet Identification        | Product Status                | Definition   |
|----------------------------------|-------------------------------|--|
| <i>Objective Specification</i>   | <b>Formative or in Design</b> | This data sheet contains the design target or goal specifications for product development. Specifications may change in any manner without notice.   |
| <i>Preliminary Specification</i> | <b>Preproduction Product</b>  | This data sheet contains preliminary data, and supplementary data will be published at a later date. Philips Semiconductors reserves the right to make changes at any time without notice in order to improve design and supply the best possible product. |
| <i>Product Specification</i>     | <b>Full Production</b>        | This data sheet contains Final Specifications. Philips Semiconductors reserves the right to make changes at any time without notice, in order to improve design and supply the best possible product.  |

Philips Semiconductors and Philips Electronics North America Corporation reserve the right to make changes, without notice, in the products, including circuits, standard cells, and/or software, described or contained herein in order to improve design and/or performance. Philips Semiconductors assumes no responsibility or liability for the use of any of these products, conveys no license or title under any patent, copyright, or mask work right to these products, and makes no representations or warranties that these products are free from patent, copyright, or mask work right infringement, unless otherwise specified. Applications that are described herein for any of these products are for illustrative purposes only. Philips Semiconductors makes no representation or warranty that such applications will be suitable for the specified use without further testing or modification.

## LIFE SUPPORT APPLICATIONS

Philips Semiconductors and Philips Electronics North America Corporation Products are not designed for use in life support appliances, devices, or systems where malfunction of a Philips Semiconductors and Philips Electronics North America Corporation Product can reasonably be expected to result in a personal injury. Philips Semiconductors and Philips Electronics North America Corporation customers using or selling Philips Semiconductors and Philips Electronics North America Corporation Products for use in such applications do so at their own risk and agree to fully indemnify Philips Semiconductors and Philips Electronics North America Corporation for any damages resulting from such improper use or sale.

**Philips Semiconductors**  
**811 East Arques Avenue**  
**P.O. Box 3409**  
**Sunnyvale, California 94088-3409**  
**Telephone 800-234-7381**

© Copyright Philips Electronics North America Corporation 1998  
 All rights reserved. Printed in U.S.A.

print code

Date of release: 05-96

Document order number:

9397-750-04438

*Let's make things better.*