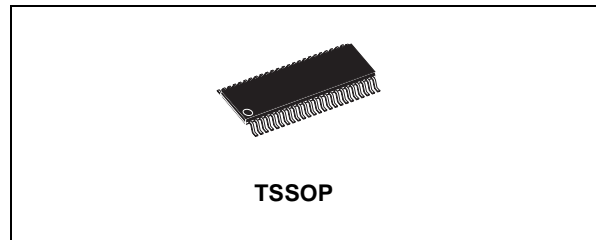




# 74ALVCH16373

## LOW VOLTAGE CMOS 16-BIT D-TYPE LATCH (3-STATE) WITH 3.6V TOLERANT INPUTS AND OUTPUTS

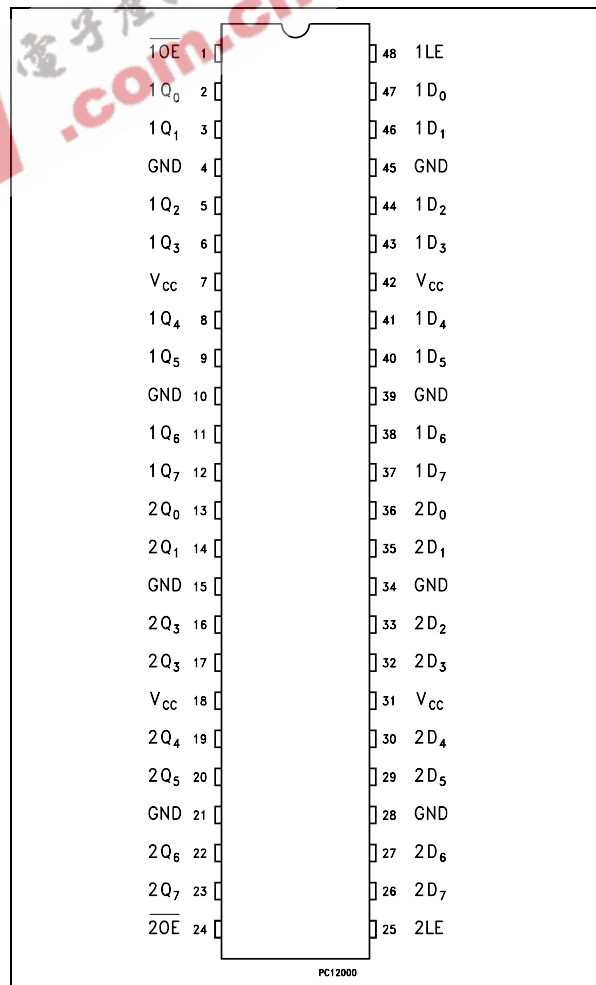
- 3.6V TOLERANT INPUTS AND OUTPUTS
- HIGH SPEED :
  - $t_{PD} = 3.6 \text{ ns (MAX.) at } V_{CC} = 3.0 \text{ to } 3.6\text{V}$
  - $t_{PD} = 4.5 \text{ ns (MAX.) at } V_{CC} = 2.3 \text{ to } 2.7\text{V}$
  - $t_{PD} = 6.5 \text{ ns (MAX.) at } V_{CC} = 1.65\text{V}$
- POWER DOWN PROTECTION ON INPUTS AND OUTPUTS
- SYMMETRICAL OUTPUT IMPEDANCE:
  - $|I_{OH}| = I_{OL} = 24\text{mA (MIN) at } V_{CC} = 3.0\text{V}$
  - $|I_{OH}| = I_{OL} = 18\text{mA (MIN) at } V_{CC} = 2.3\text{V}$
  - $|I_{OH}| = I_{OL} = 4\text{mA (MIN) at } V_{CC} = 1.65\text{V}$
- OPERATING VOLTAGE RANGE:
  - $V_{CC(OPR)} = 1.65\text{V to } 3.6\text{V}$
- BUS HOLD PROVIDED ON DATA INPUTS
- PIN AND FUNCTION COMPATIBLE WITH 74 SERIES 16373
- LATCH-UP PERFORMANCE EXCEEDS 300mA (JESD 17)
- ESD PERFORMANCE:
  - HBM > 2000V (MIL STD 883 method 3015);
  - MM > 200V



### ORDER CODES

| PACKAGE | TUBE | T & R           |
|---------|------|-----------------|
| TSSOP   |      | 74ALVCH16373TTR |

### PIN CONNECTION



### DESCRIPTION

The 74ALVCH16373 is a low voltage CMOS 16 BIT D-TYPE LATCH with 3 STATE OUTPUTS NON INVERTING fabricated with sub-micron silicon gate and five-layer metal wiring C<sup>2</sup>MOS technology. It is ideal for low power and very high speed 1.65 to 3.6V applications; it can be interfaced to 3.6V signal environment for both inputs and outputs.

These 16 bit D-TYPE latches are bite controlled by two latch enable inputs (nLE) and two output enable inputs (OE).

While the nLE input is held at a high level, the nQ outputs will follow the data input precisely.

When the nLE is taken low, the nQ outputs will be in a normal logic state (high or low logic level) and while high level the outputs will be in a high impedance state. This device is designed to be used with 3 state memory address drivers, etc.

Active bus-hold circuitry holds unused or undriven inputs at a valid logic state.

All inputs and outputs are equipped with protection circuits against static discharge, giving them 2KV ESD immunity and transient excess voltage.

INPUT AND OUTPUT EQUIVALENT CIRCUIT



PIN DESCRIPTION

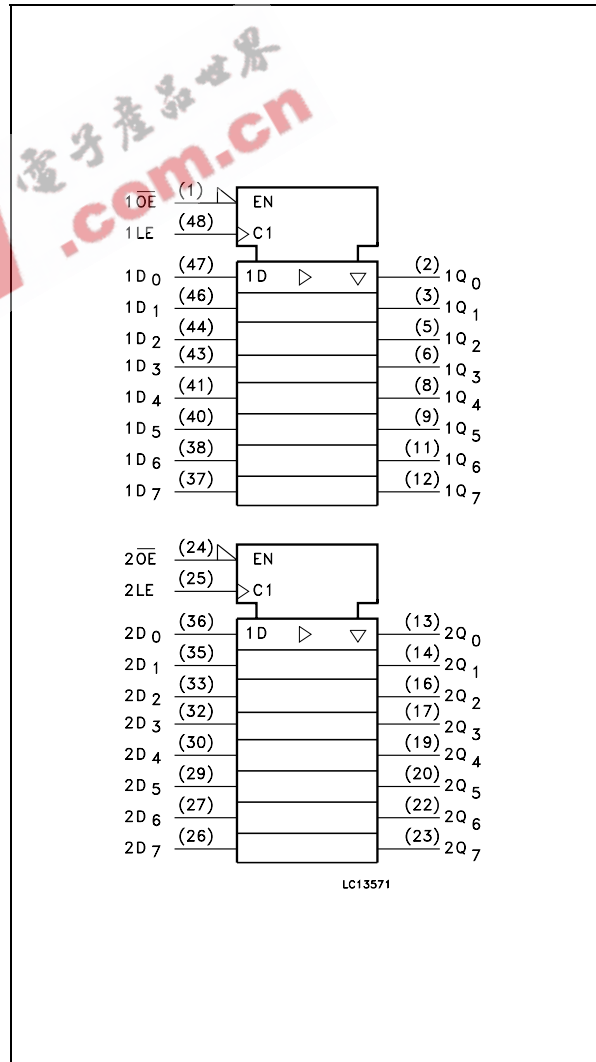
| PIN No                         | SYMBOL     | NAME AND FUNCTION                        |
|--------------------------------|------------|--|
| 1                              | 1OE        | 3 State Output Enable Input (Active LOW) |
| 2, 3, 5, 6, 8, 9, 11, 12       | 1Q0 to 1Q7 | 3-State Outputs                          |
| 13, 14, 16, 17, 19, 20, 22, 23 | 2Q0 to 2Q7 | 3-State Outputs                          |
| 24                             | 2OE        | 3 State Output Enable Input (Active LOW) |
| 25                             | 2LE        | Latch Enable Input                       |
| 36, 35, 33, 32, 30, 29, 27, 26 | 2D0 to 2D7 | Data Inputs                              |
| 47, 46, 44, 43, 41, 40, 38, 37 | 1D0 to 1D7 | Data Inputs                              |
| 48                             | 1LE        | Latch Enable Input                       |
| 4, 10, 15, 21, 28, 34, 39, 45  | GND        | Ground (0V)                              |
| 7, 18, 31, 42                  | VCC        | Positive Supply Voltage                  |

TRUTH TABLE

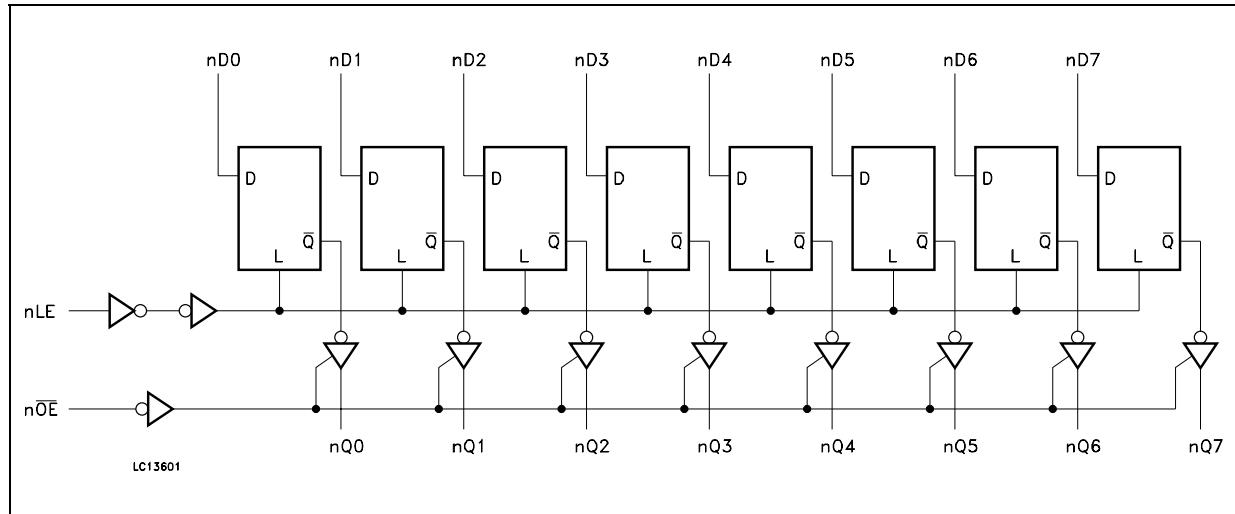
| INPUTS |    |   | OUTPUT      |
|--------|----|---|-------------|
| OE     | LE | D | Q           |
| H      | X  | X | Z           |
| L      | L  | X | NO CHANGE * |
| L      | H  | L | L           |
| L      | H  | H | H           |

X : Don't Care  
 Z : High Impedance  
 \* : Q outputs are latched at the time when the LE input is taken low logic level.

IEC LOGIC SYMBOLS



## LOGIC DIAGRAM



## ABSOLUTE MAXIMUM RATINGS

| Symbol                | Parameter                                      | Value                  | Unit        |
|-----------------------|--|------------------------|-------------|
| $V_{CC}$              | Supply Voltage                                 | -0.5 to +4.6           | V           |
| $V_I$                 | DC Input Voltage                               | -0.5 to +4.6           | V           |
| $V_O$                 | DC Output Voltage (OFF State)                  | -0.5 to +4.6           | V           |
| $V_O$                 | DC Output Voltage (High or Low State) (note 1) | -0.5 to $V_{CC} + 0.5$ | V           |
| $I_{IK}$              | DC Input Diode Current                         | - 50                   | mA          |
| $I_{OK}$              | DC Output Diode Current (note 2)               | - 50                   | mA          |
| $I_O$                 | DC Output Current                              | $\pm 50$               | mA          |
| $I_{CC}$ or $I_{GND}$ | DC $V_{CC}$ or Ground Current per Supply Pin   | $\pm 100$              | mA          |
| $P_D$                 | Power Dissipation                              | 400                    | mW          |
| $T_{stg}$             | Storage Temperature                            | -65 to +150            | $^{\circ}C$ |
| $T_L$                 | Lead Temperature (10 sec)                      | 300                    | $^{\circ}C$ |

Absolute Maximum Ratings are those values beyond which damage to the device may occur. Functional operation under these conditions is not implied.

1)  $I_O$  absolute maximum rating must be observed

2)  $V_O < GND$ ,  $V_O > V_{CC}$

## RECOMMENDED OPERATING CONDITIONS

| Symbol              | Parameter   | Value         | Unit        |
|---------------------|---|---------------|-------------|
| $V_{CC}$            | Supply Voltage  | 1.65 to 3.6   | V           |
| $V_I$               | Input Voltage   | -0.3 to 3.6   | V           |
| $V_O$               | Output Voltage (OFF State)                                    | 0 to 3.6      | V           |
| $V_O$               | Output Voltage (High or Low State)                            | 0 to $V_{CC}$ | V           |
| $I_{OH}$ , $I_{OL}$ | High or Low Level Output Current ( $V_{CC} = 3.0$ to $3.6V$ ) | $\pm 24$      | mA          |
| $I_{OH}$ , $I_{OL}$ | High or Low Level Output Current ( $V_{CC} = 2.3$ to $2.7V$ ) | $\pm 12$      | mA          |
| $I_{OH}$ , $I_{OL}$ | High or Low Level Output Current ( $V_{CC} = 1.8V$ )          | $\pm 4$       | mA          |
| $T_{op}$            | Operating Temperature   | -55 to 125    | $^{\circ}C$ |
| dt/dv               | Input Rise and Fall Time (note 1)                             | 0 to 10       | ns/V        |

1)  $V_{IN}$  from 0.8V to 2V at  $V_{CC} = 3.0V$

## DC SPECIFICATIONS

| Symbol             | Parameter                             | Test Condition         |  | Value                |                      |                      |                      | Unit |
|--------------------|---------------------------------------|------------------------|--|----------------------|----------------------|----------------------|----------------------|------|
|                    |                                       | V <sub>CC</sub><br>(V) |  | -40 to 85 °C         |                      | -55 to 125 °C        |                      |      |
|                    |                                       |                        |  | Min.                 | Max.                 | Min.                 | Max.                 |      |
| V <sub>IH</sub>    | High Level Input Voltage              | 1.65 to 1.95           |  | 0.65 V <sub>CC</sub> |                      | 0.65 V <sub>CC</sub> |                      | V    |
|                    |                                       | 2.3 to 2.7             |  | 1.7                  |                      | 1.7                  |                      |      |
|                    |                                       | 2.7 to 3.6             |  | 2.0                  |                      | 2.0                  |                      |      |
| V <sub>IL</sub>    | Low Level Input Voltage               | 1.65 to 1.95           |  |                      | 0.35 V <sub>CC</sub> |                      | 0.35 V <sub>CC</sub> | V    |
|                    |                                       | 2.3 to 2.7             |  |                      | 0.7                  |                      | 0.7                  |      |
|                    |                                       | 2.7 to 3.6             |  |                      | 0.8                  |                      | 0.8                  |      |
| V <sub>OH</sub>    | High Level Output Voltage             | 1.65 to 3.6            | I <sub>O</sub> =-100 μA  | V <sub>CC</sub> -0.2 |                      | V <sub>CC</sub> -0.2 |                      | V    |
|                    |                                       | 1.65                   | I <sub>O</sub> =-4 mA  | 1.2                  |                      | 1.2                  |                      |      |
|                    |                                       | 2.3                    | I <sub>O</sub> =-6 mA  | 2.0                  |                      | 2.0                  |                      |      |
|                    |                                       | 2.3                    | I <sub>O</sub> =-12 mA   | 1.7                  |                      | 1.7                  |                      |      |
|                    |                                       | 2.7                    | I <sub>O</sub> =-12 mA   | 2.2                  |                      | 2.2                  |                      |      |
|                    |                                       | 3.0                    | I <sub>O</sub> =-12 mA   | 2.4                  |                      | 2.4                  |                      |      |
|                    |                                       | 3.0                    | I <sub>O</sub> =-24 mA   | 2.0                  |                      | 2.0                  |                      |      |
| V <sub>OL</sub>    | Low Level Output Voltage              | 1.65 to 3.6            | I <sub>O</sub> =100 μA   |                      | 0.2                  |                      | 0.2                  | V    |
|                    |                                       | 1.65                   | I <sub>O</sub> =4 mA   |                      | 0.45                 |                      | 0.45                 |      |
|                    |                                       | 2.3                    | I <sub>O</sub> =6 mA   |                      | 0.4                  |                      | 0.4                  |      |
|                    |                                       | 2.3                    | I <sub>O</sub> =12 mA  |                      | 0.7                  |                      | 0.7                  |      |
|                    |                                       | 2.7                    | I <sub>O</sub> =12 mA  |                      | 0.4                  |                      | 0.4                  |      |
|                    |                                       | 3.0                    | I <sub>O</sub> =24 mA  |                      | 0.55                 |                      | 0.55                 |      |
| I <sub>I</sub>     | Input Leakage Current                 | 3.6                    | V <sub>I</sub> = 0 or 3.6V   |                      | ± 5                  |                      | ± 5                  | μA   |
| I <sub>IHOLD</sub> | Bus Hold Input Leakage Current        | 1.65                   | V <sub>I</sub> = 0.58 V  | + 25                 |                      | + 25                 |                      | μA   |
|                    |                                       | 1.65                   | V <sub>I</sub> = 1.07 V  | - 25                 |                      | - 25                 |                      |      |
|                    |                                       | 2.3                    | V <sub>I</sub> = 0.7 V   | + 45                 |                      | + 45                 |                      |      |
|                    |                                       | 2.3                    | V <sub>I</sub> = 1.7 V   | - 45                 |                      | - 45                 |                      |      |
|                    |                                       | 3.0                    | V <sub>I</sub> = 0.8 V   | + 75                 |                      | + 75                 |                      |      |
|                    |                                       | 3.0                    | V <sub>I</sub> = 2 V   | - 75                 |                      | - 75                 |                      |      |
|                    |                                       | 3.6                    | V <sub>I</sub> = 0 to 3.6V   |                      | ± 500                |                      | ± 500                |      |
| I <sub>off</sub>   | Power Off Leakage Current             | 0                      | V <sub>I</sub> or V <sub>O</sub> = 3.6V  |                      | 10                   |                      | 20                   | μA   |
| I <sub>OZ</sub>    | High Impedance Output Leakage Current | 3.6                    | V <sub>I</sub> = V <sub>IH</sub> or V <sub>IL</sub><br>V <sub>O</sub> = 0 to V <sub>CC</sub> |                      | ± 5                  |                      | ± 10                 | μA   |
| I <sub>CC</sub>    | Quiescent Supply Current              | 3.6                    | V <sub>I</sub> = V <sub>CC</sub> or GND<br>I <sub>O</sub> = 0                                |                      | 20                   |                      | 40                   | μA   |
| ΔI <sub>CC</sub>   | I <sub>CC</sub> incr. per Input       | 3.0 to 3.6             | V <sub>IH</sub> = V <sub>CC</sub> - 0.6V   |                      | 500                  |                      | 750                  | μA   |

## AC ELECTRICAL CHARACTERISTICS

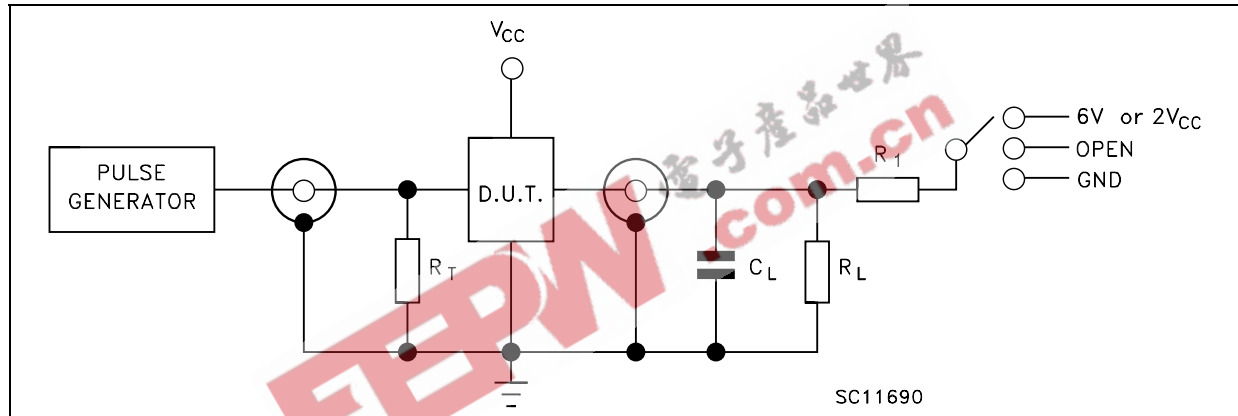
| Symbol                            | Parameter                                 | Test Condition         |                        |                       |   | Value        |      |               |      | Unit |
|-----------------------------------|---|------------------------|------------------------|-----------------------|---|--------------|------|---------------|------|------|
|                                   |   | V <sub>CC</sub><br>(V) | C <sub>L</sub><br>(pF) | R <sub>L</sub><br>(Ω) | t <sub>s</sub> = t <sub>r</sub><br>(ns) | -40 to 85 °C |      | -55 to 125 °C |      |      |
|                                   |   |                        |                        |                       |   | Min.         | Max. | Min.          | Max. |      |
| t <sub>PLH</sub> t <sub>PHL</sub> | Propagation Delay<br>Time Dn to Qn        | 1.65 to 1.95           | 30                     | 1000                  | 2.0                                     | 1            | 6.5  | 1             | 6.5  | ns   |
|                                   |   | 2.3 to 2.7             | 30                     | 500                   | 2.0                                     | 1            | 4.5  | 1             | 4.5  |      |
|                                   |   | 2.7                    | 50                     | 500                   | 2.5                                     | 1            | 4.3  | 1             | 4.3  |      |
|                                   |   | 3.0 to 3.6             | 50                     | 500                   | 2.5                                     | 1            | 3.6  | 1             | 3.6  |      |
| t <sub>PLH</sub> t <sub>PHL</sub> | Propagation Delay<br>Time LE to Qn        | 1.65 to 1.95           | 30                     | 1000                  | 2.0                                     | 1            | 7.0  | 1             | 7.0  | ns   |
|                                   |   | 2.3 to 2.7             | 30                     | 500                   | 2.0                                     | 1            | 4.9  | 1             | 4.9  |      |
|                                   |   | 2.7                    | 50                     | 500                   | 2.5                                     | 1            | 4.6  | 1             | 4.6  |      |
|                                   |   | 3.0 to 3.6             | 50                     | 500                   | 2.5                                     | 1            | 3.9  | 1             | 3.9  |      |
| t <sub>PZL</sub> t <sub>PZH</sub> | Output Enable Time                        | 1.65 to 1.95           | 30                     | 1000                  | 2.0                                     | 1            | 8.5  | 1             | 8.5  | ns   |
|                                   |   | 2.3 to 2.7             | 30                     | 500                   | 2.0                                     | 1            | 6    | 1             | 6    |      |
|                                   |   | 2.7                    | 50                     | 500                   | 2.5                                     | 1            | 5.7  | 1             | 5.7  |      |
|                                   |   | 3.0 to 3.6             | 50                     | 500                   | 2.5                                     | 1            | 4.7  | 1             | 4.7  |      |
| t <sub>PLZ</sub> t <sub>PHZ</sub> | Output Disable Time                       | 1.65 to 1.95           | 30                     | 1000                  | 2.0                                     | 1            | 7    | 1             | 7    | ns   |
|                                   |   | 2.3 to 2.7             | 30                     | 500                   | 2.0                                     | 1            | 5.1  | 1             | 5.1  |      |
|                                   |   | 2.7                    | 50                     | 500                   | 2.5                                     | 1            | 4.5  | 1             | 4.5  |      |
|                                   |   | 3.0 to 3.6             | 50                     | 500                   | 2.5                                     | 1            | 4.1  | 1             | 4.1  |      |
| t <sub>s</sub>                    | Setup Time, HIGH or<br>LOW level Dn to LE | 1.65 to 1.95           | 30                     | 1000                  | 2.0                                     | 1            | 1    | 1             |      | ns   |
|                                   |   | 2.3 to 2.7             | 30                     | 500                   | 2.0                                     | 1            | 1    | 1             |      |      |
|                                   |   | 2.7                    | 50                     | 500                   | 2.5                                     | 1            | 1    | 1             |      |      |
|                                   |   | 3.0 to 3.6             | 50                     | 500                   | 2.5                                     | 1.1          | 1.1  | 1.1           |      |      |
| t <sub>h</sub>                    | Hold Time High or<br>LOW level Dn to LE   | 1.65 to 1.95           | 30                     | 1000                  | 2.0                                     | 1.5          | 1.5  | 1.5           |      | ns   |
|                                   |   | 2.3 to 2.7             | 30                     | 500                   | 2.0                                     | 1.5          | 1.5  | 1.5           |      |      |
|                                   |   | 2.7                    | 50                     | 500                   | 2.5                                     | 1.7          | 1.7  | 1.7           |      |      |
|                                   |   | 3.0 to 3.6             | 50                     | 500                   | 2.5                                     | 1.4          | 1.4  | 1.4           |      |      |
| t <sub>w</sub>                    | LE Pulse Width,<br>HIGH                   | 1.65 to 1.95           | 30                     | 1000                  | 2.0                                     | 4            | 4    | 4             |      | ns   |
|                                   |   | 2.3 to 2.7             | 30                     | 500                   | 2.0                                     | 3.3          | 3.3  | 3.3           |      |      |
|                                   |   | 2.7                    | 50                     | 500                   | 2.5                                     | 3.3          | 3.3  | 3.3           |      |      |
|                                   |   | 3.0 to 3.6             | 50                     | 500                   | 2.5                                     | 3.3          | 3.3  | 3.3           |      |      |

**CAPACITIVE CHARACTERISTICS**

| Symbol           | Parameter  | Test Condition      |  | Value                  |      |      | Unit |
|------------------|--|---------------------|--|------------------------|------|------|------|
|                  |  | V <sub>CC</sub> (V) |  | T <sub>A</sub> = 25 °C |      |      |      |
|                  |  |                     |  | Min.                   | Typ. | Max. |      |
| C <sub>IN</sub>  | Input Capacitance Control Inputs                       | 3.3                 | V <sub>IN</sub> = V <sub>CC</sub> or GND         |                        | 3    |      | pF   |
| C <sub>IN</sub>  | Input Capacitance Data Inputs                          | 3.3                 | V <sub>IN</sub> = V <sub>CC</sub> or GND         |                        | 6    |      | pF   |
| C <sub>OUT</sub> | Output Capacitance                                     | 3.3                 | V <sub>IN</sub> = 0 to V <sub>CC</sub>           |                        | 7    |      | pF   |
| C <sub>PD</sub>  | Power Dissipation Capacitance Output enabled (note 1)  | 3.3                 | f <sub>IN</sub> = 10MHz<br>C <sub>L</sub> = 50pF |                        | 19   |      | pF   |
|                  |  | 2.5                 |  |                        | 16   |      |      |
| C <sub>PD</sub>  | Power Dissipation Capacitance Output disabled (note 1) | 3.3                 | V <sub>IN</sub> = 0 or V <sub>CC</sub>           |                        | 5    |      | pF   |
|                  |  | 2.5                 |  |                        | 4    |      |      |

1) C<sub>PD</sub> is defined as the value of the IC's internal equivalent capacitance which is calculated from the operating current consumption without load. (Refer to Test Circuit). Average operating current can be obtained by the following equation. I<sub>CC(opr)</sub> = C<sub>PD</sub> × V<sub>CC</sub> × f<sub>IN</sub> + I<sub>CC</sub>/16 (per circuit)

**TEST CIRCUIT**



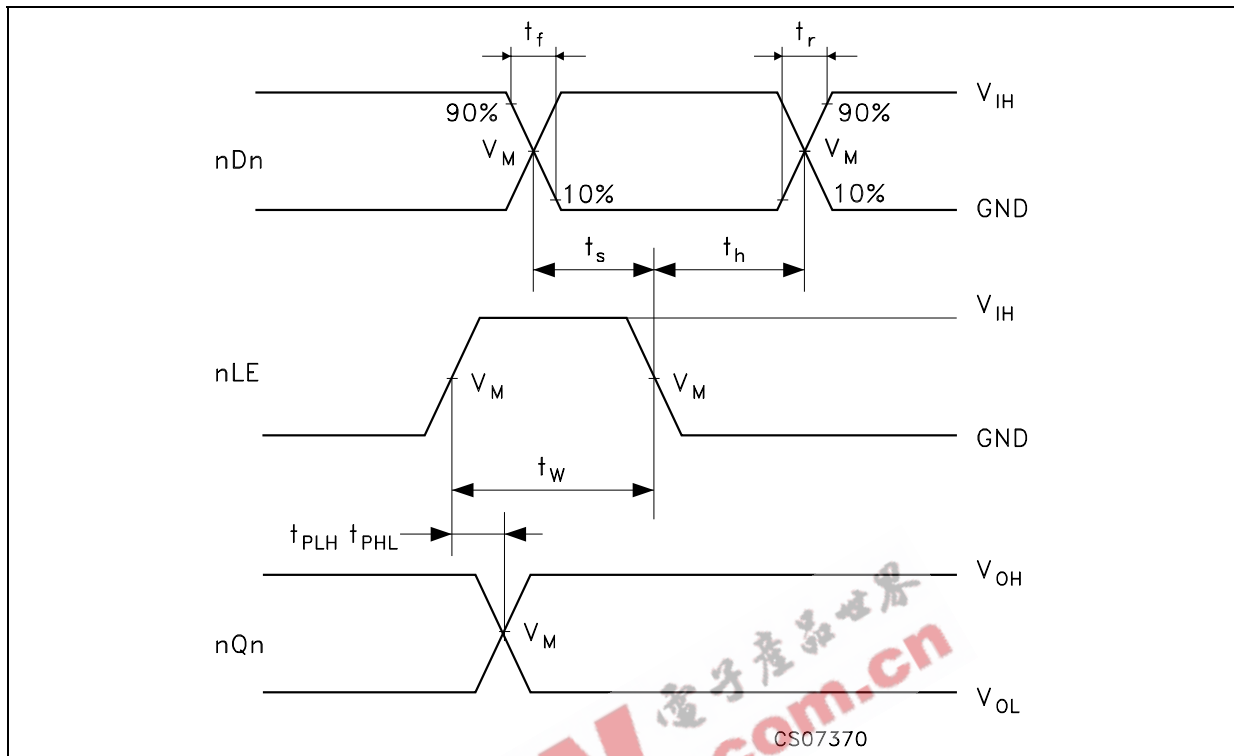
| TEST  | SWITCH           |
|---|------------------|
| t <sub>PLH</sub> , t <sub>PHL</sub>                                 | Open             |
| t <sub>PZL</sub> , t <sub>PLZ</sub> (V <sub>CC</sub> = 3.0 to 3.6V) | 6V               |
| t <sub>PZL</sub> , t <sub>PLZ</sub> (V <sub>CC</sub> = 2.3 to 2.7V) | 2V <sub>CC</sub> |
| t <sub>PZH</sub> , t <sub>PHZ</sub>                                 | GND              |

R<sub>T</sub> = Z<sub>OUT</sub> of pulse generator (typically 50Ω)

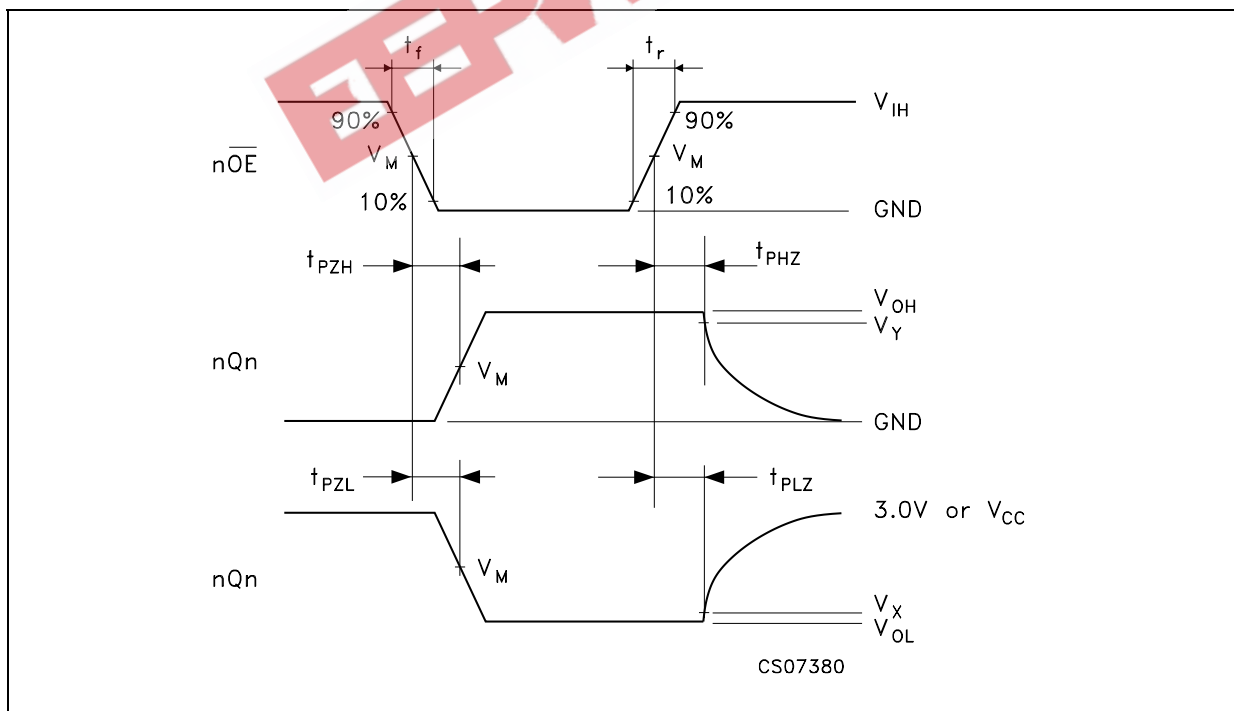
**TEST CIRCUIT AND WAVEFORM SYMBOL VALUE**

| Symbol                          | V <sub>CC</sub>        |                        |                         |                         |
|---------------------------------|------------------------|------------------------|-------------------------|-------------------------|
|                                 | 3.0 to 3.6V            | 2.7V                   | 2.3 to 2.7V             | 1.65 to 1.95V           |
| V <sub>IH</sub>                 | 2.7V                   | 2.7V                   | V <sub>CC</sub>         | V <sub>CC</sub>         |
| V <sub>M</sub>                  | 1.5V                   | 1.5V                   | V <sub>CC</sub> /2      | V <sub>CC</sub> /2      |
| V <sub>X</sub>                  | V <sub>OL</sub> + 0.3V | V <sub>OL</sub> + 0.3V | V <sub>OL</sub> + 0.15V | V <sub>OL</sub> + 0.15V |
| V <sub>Y</sub>                  | V <sub>OH</sub> - 0.3V | V <sub>OH</sub> - 0.3V | V <sub>OH</sub> - 0.15V | V <sub>OH</sub> - 0.15V |
| C <sub>L</sub>                  | 50pF                   | 50pF                   | 30pF                    | 30pF                    |
| R <sub>L</sub> = R <sub>1</sub> | 500Ω                   | 500Ω                   | 500Ω                    | 1000Ω                   |
| t <sub>r</sub> = t <sub>f</sub> | <2.5ns                 | <2.5ns                 | <2.0ns                  | <2.0ns                  |

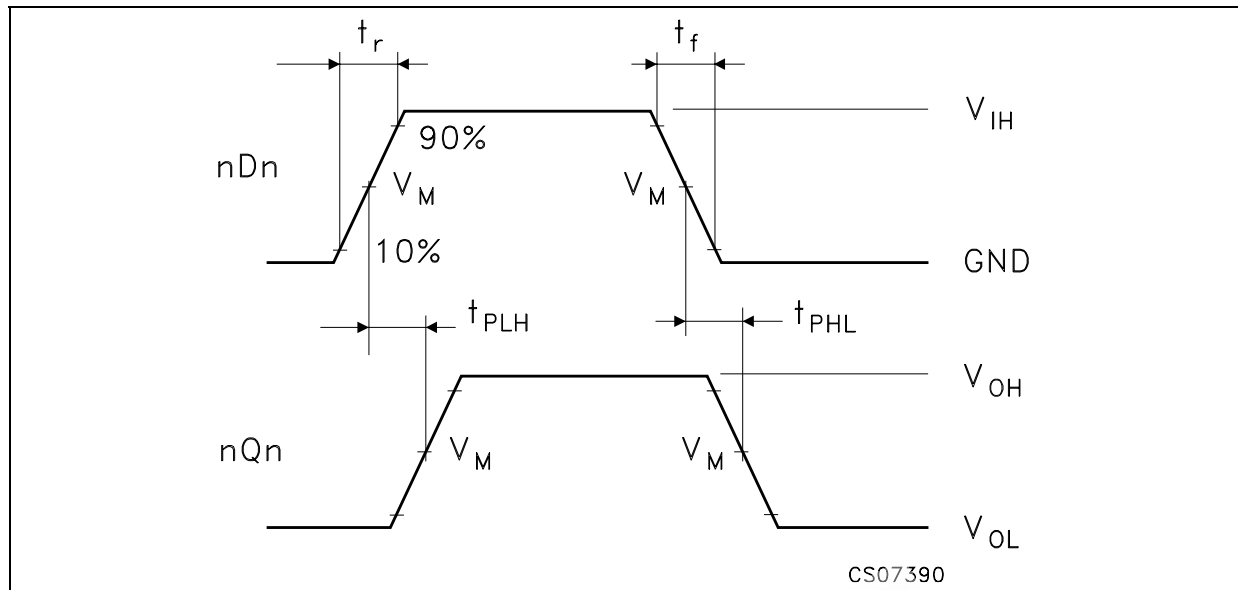
**WAVEFORM 1 : LE TO Qn PROPAGATION DELAYS, LE MINIMUM PULSE WIDTH, Dn TO LE SETUP AND HOLD TIMES (f=1MHz; 50% duty cycle)**



**WAVEFORM 2: OUTPUT ENABLE AND DISABLE TIME (f=1MHz; 50% duty cycle)**



WAVEFORM 3 : PROPAGATION DELAY TIME (f=1MHz; 50% duty cycle)

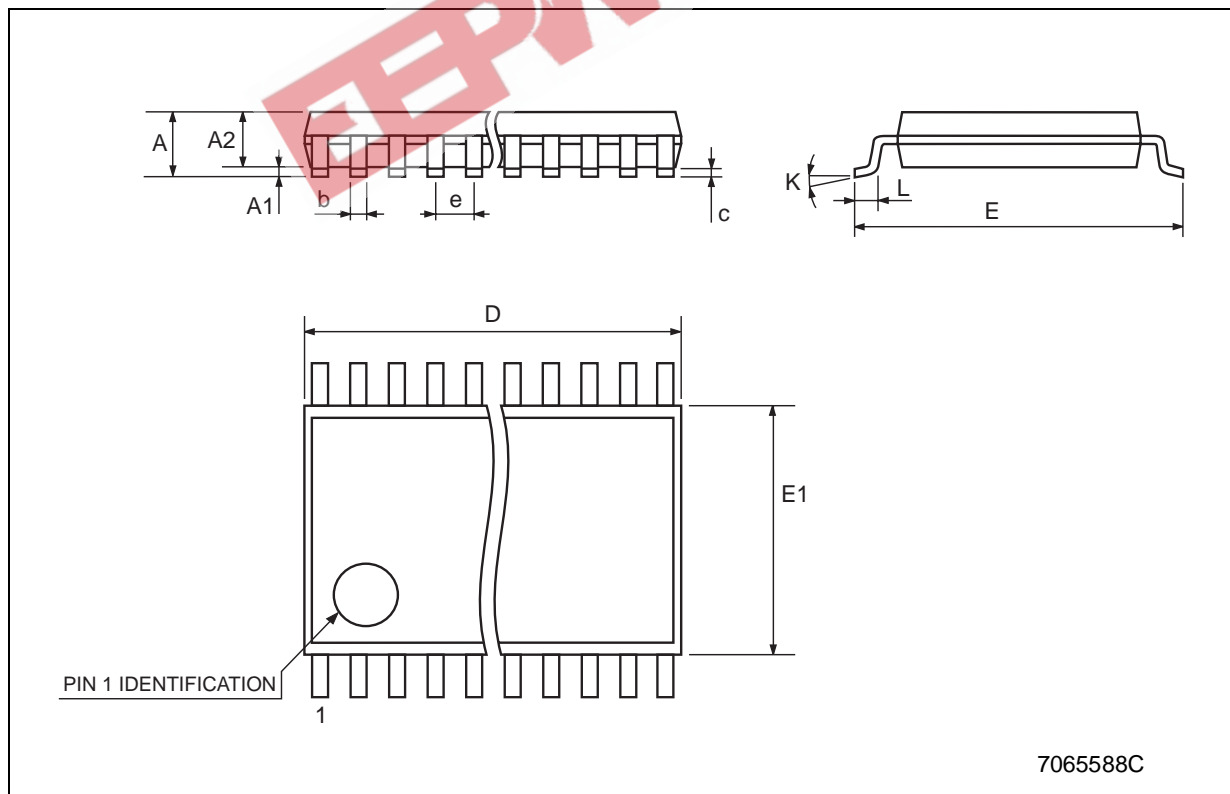


EEPW 电子产品世界 .com.cn



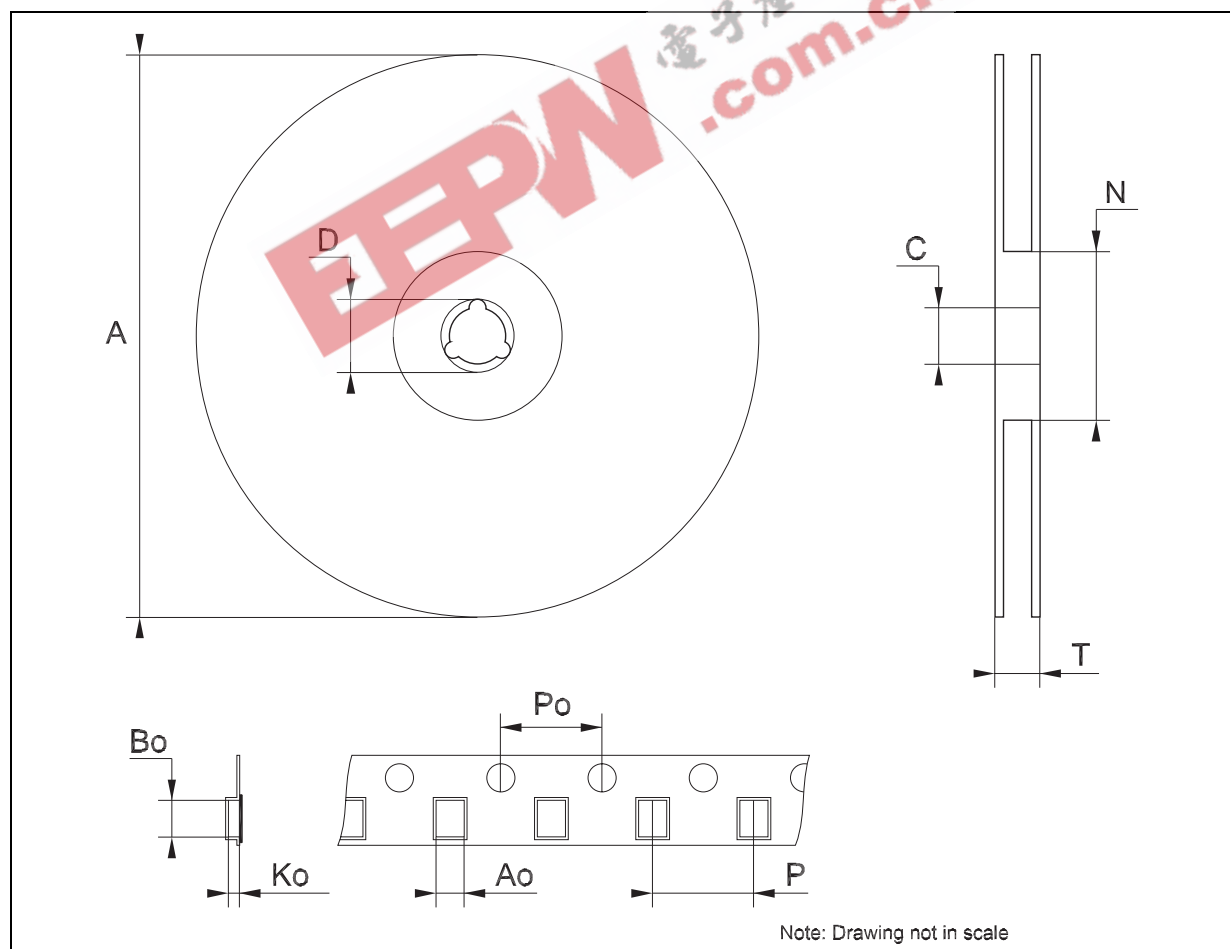
## TSSOP48 MECHANICAL DATA

| DIM. | mm.  |         |      | inch   |            |        |
|------|------|---------|------|--------|------------|--------|
|      | MIN. | TYP     | MAX. | MIN.   | TYP.       | MAX.   |
| A    |      |         | 1.2  |        |            | 0.047  |
| A1   | 0.05 |         | 0.15 | 0.002  |            | 0.006  |
| A2   |      | 0.9     |      |        | 0.035      |        |
| b    | 0.17 |         | 0.27 | 0.0067 |            | 0.011  |
| c    | 0.09 |         | 0.20 | 0.0035 |            | 0.0079 |
| D    | 12.4 |         | 12.6 | 0.488  |            | 0.496  |
| E    |      | 8.1 BSC |      |        | 0.318 BSC  |        |
| E1   | 6.0  |         | 6.2  | 0.236  |            | 0.244  |
| e    |      | 0.5 BSC |      |        | 0.0197 BSC |        |
| K    | 0°   |         | 8°   | 0°     |            | 8°     |
| L    | 0.50 |         | 0.75 | 0.020  |            | 0.030  |



## Tape &amp; Reel TSSOP48 MECHANICAL DATA

| DIM. | mm.  |     |      | inch  |      |        |
|------|------|-----|------|-------|------|--------|
|      | MIN. | TYP | MAX. | MIN.  | TYP. | MAX.   |
| A    |      |     | 330  |       |      | 12.992 |
| C    | 12.8 |     | 13.2 | 0.504 |      | 0.519  |
| D    | 20.2 |     |      | 0.795 |      |        |
| N    | 60   |     |      | 2.362 |      |        |
| T    |      |     | 30.4 |       |      | 1.197  |
| Ao   | 8.7  |     | 8.9  | 0.343 |      | 0.350  |
| Bo   | 13.1 |     | 13.3 | 0.516 |      | 0.524  |
| Ko   | 1.5  |     | 1.7  | 0.059 |      | 0.067  |
| Po   | 3.9  |     | 4.1  | 0.153 |      | 0.161  |
| P    | 11.9 |     | 12.1 | 0.468 |      | 0.476  |



EEPW 电子产品世界  
.com.cn

Information furnished is believed to be accurate and reliable. However, STMicroelectronics assumes no responsibility for the consequences of use of such information nor for any infringement of patents or other rights of third parties which may result from its use. No license is granted by implication or otherwise under any patent or patent rights of STMicroelectronics. Specifications mentioned in this publication are subject to change without notice. This publication supersedes and replaces all information previously supplied. STMicroelectronics products are not authorized for use as critical components in life support devices or systems without express written approval of STMicroelectronics.

© The ST logo is a registered trademark of STMicroelectronics

© 2002 STMicroelectronics - Printed in Italy - All Rights Reserved  
STMicroelectronics GROUP OF COMPANIES

Australia - Brazil - Canada - China - Finland - France - Germany - Hong Kong - India - Israel - Italy - Japan - Malaysia - Malta - Morocco  
Singapore - Spain - Sweden - Switzerland - United Kingdom - United States.

© <http://www.st.com>