

# DATA SHEET

For a complete data sheet, please also download:

- The IC06 74HC/HCT/HCU/HCMOS Logic Family Specifications
- The IC06 74HC/HCT/HCU/HCMOS Logic Package Information
- The IC06 74HC/HCT/HCU/HCMOS Logic Package Outlines

EEPW 电子产品世界  
.com.cn

## 74HC/HCT299

8-bit universal shift register; 3-state

Product specification  
File under Integrated Circuits, IC06

December 1990

## 8-bit universal shift register; 3-state

## 74HC/HCT299

## FEATURES

- Multiplexed inputs/outputs provide improved bit density
- Four operating modes:
  - shift left
  - shift right
  - hold (store)
  - load data
- Operates with output enable or at high-impedance OFF-state (Z)
- 3-state outputs drive bus lines directly
- Can be cascaded for n-bits word length
- Output capability: bus driver (parallel I/Os), standard (serial outputs)
- I<sub>CC</sub> category: MSI

## GENERAL DESCRIPTION

The 74HC/HCT299 are high-speed Si-gate CMOS devices and are pin compatible with low power Schottky TTL (LSTTL). They are specified in compliance with JEDEC standard no. 7A.

The 74HC/HCT299 contain eight edge-triggered D-type flip-flops and the interstage logic necessary to perform synchronous shift-right, shift-left, parallel load and hold operations. The type of operation is determined by the mode select inputs (S<sub>0</sub> and S<sub>1</sub>), as shown in the mode select table.

All flip-flop outputs have 3-state buffers to separate these outputs (I/O<sub>0</sub> to I/O<sub>7</sub>) such, that they can serve as data inputs in the parallel load mode. The serial outputs (Q<sub>0</sub> and Q<sub>7</sub>) are used for expansion in serial shifting of longer words.

A LOW signal on the asynchronous master reset input ( $\overline{\text{MR}}$ ) overrides the S<sub>n</sub> and clock (CP) inputs and resets the flip-flops. All other state changes are initiated by the rising edge of the clock pulse. Inputs can change when the clock is either state, provided that the recommended set-up and hold times, relative to the rising edge of CP, are observed.

A HIGH signal on the 3-state output enable inputs ( $\overline{\text{OE}}_1$  or  $\overline{\text{OE}}_2$ ) disables the 3-state buffers and the I/O<sub>n</sub> outputs are set to the high-impedance OFF-state. In this condition, the shift, hold, load and reset operations can still occur. The 3-state buffers are also disabled by HIGH signals on both S<sub>0</sub> and S<sub>1</sub>, when in preparation for a parallel load operation.

## QUICK REFERENCE DATA

GND = 0 V; T<sub>amb</sub> = 25 °C; t<sub>r</sub> = t<sub>f</sub> = 6 ns

SYMBOL	PARAMETER	CONDITIONS	TYPICAL		UNIT
			HC	HCT	
t <sub>PHL</sub> / t <sub>PLH</sub>	propagation delay CP to Q <sub>0</sub> , Q <sub>7</sub> CP to I/O <sub>n</sub>	C <sub>L</sub> = 15 pF; V <sub>CC</sub> = 5 V	20	19	ns
t <sub>PHL</sub>	$\overline{\text{MR}}$ to Q <sub>0</sub> , Q <sub>7</sub> or I/O <sub>n</sub>		20	19	ns
f <sub>max</sub>	maximum clock frequency		20	23	ns
C <sub>I</sub>	input capacitance		50	46	MHz
C <sub>I/O</sub>	input/output capacitance		3.5	3.5	pF
C <sub>PD</sub>	power dissipation capacitance per package	notes 1 and 2	10	10	pF
			120	125	pF

## Notes

1. C<sub>PD</sub> is used to determine the dynamic power dissipation (P<sub>D</sub> in μW):
2. For HC the condition is V<sub>I</sub> = GND to V<sub>CC</sub>  
For HCT the condition is V<sub>I</sub> = GND to V<sub>CC</sub> – 1.5 V

$$P_D = C_{PD} \times V_{CC}^2 \times f_i + \sum (C_L \times V_{CC}^2 \times f_o) \text{ where:}$$

f<sub>i</sub> = input frequency in MHz

f<sub>o</sub> = output frequency in MHz

$\sum (C_L \times V_{CC}^2 \times f_o)$  = sum of outputs

C<sub>L</sub> = output load capacitance in pF

V<sub>CC</sub> = supply voltage in V

## ORDERING INFORMATION

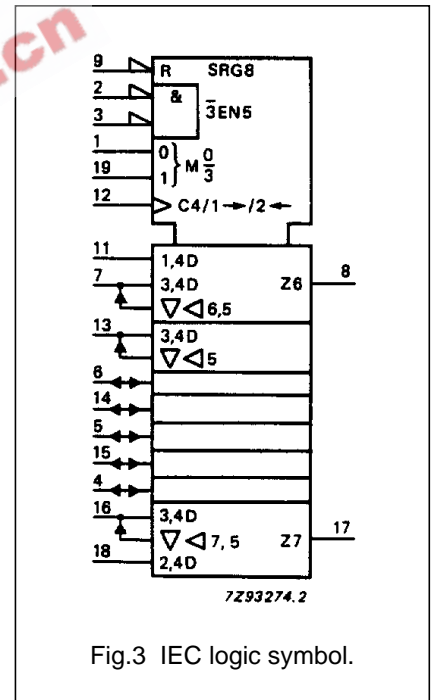
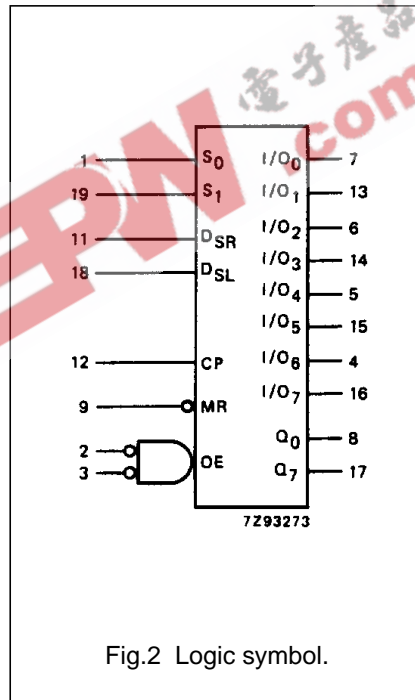
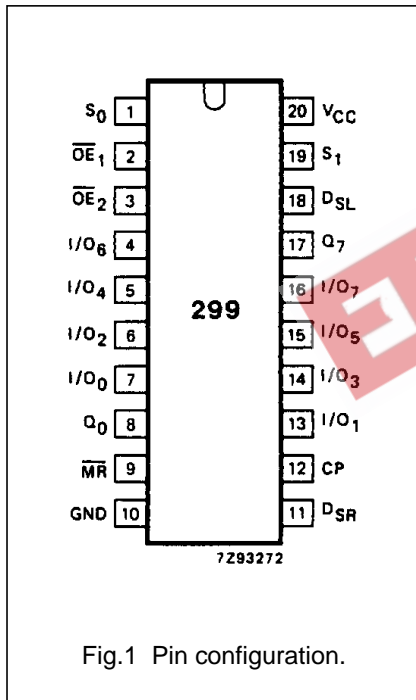
See "74HC/HCT/HCU/HCMOS Logic Package Information".

8-bit universal shift register; 3-state

74HC/HCT299

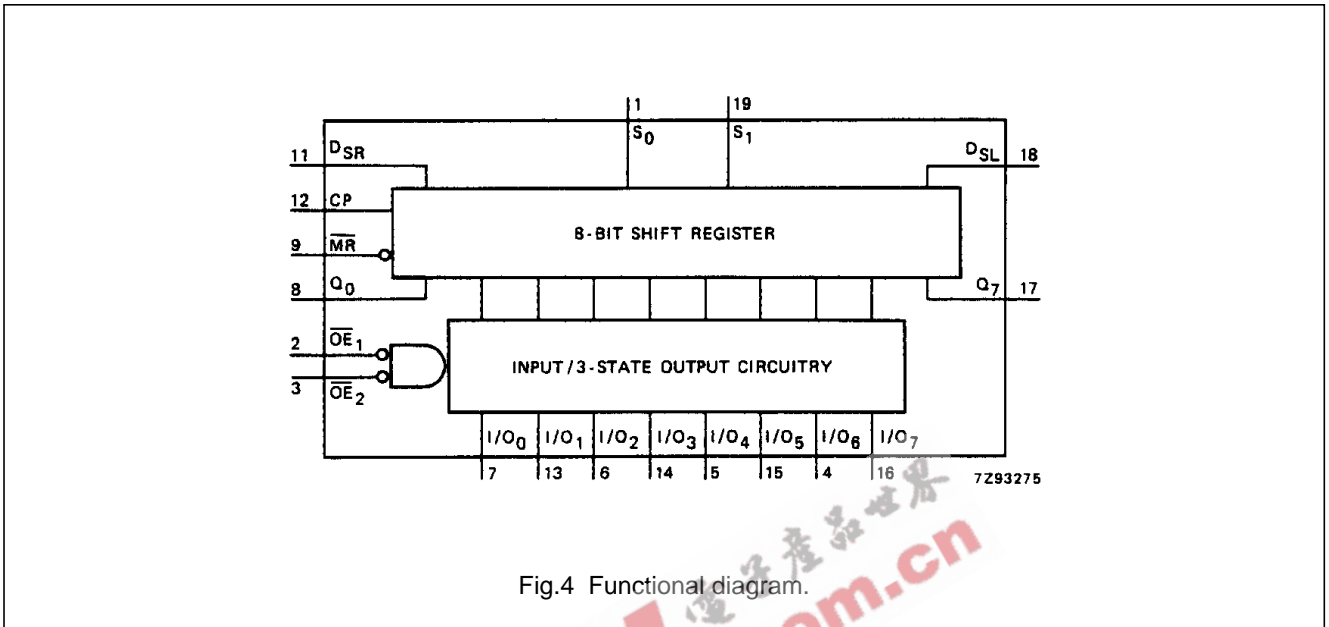
PIN DESCRIPTION

PIN NO.	SYMBOL	NAME AND FUNCTION
1, 19	$S_0, S_1$	mode select inputs
2, 3	$\overline{OE}_1, \overline{OE}_2$	3-state output enable inputs (active LOW)
7, 13, 6, 14, 5, 15, 4, 16	$I/O_0$ to $I/O_7$	parallel data inputs or 3-state parallel outputs (bus driver)
8, 17	$Q_0, Q_7$	serial outputs (standard output)
9	$\overline{MR}$	asynchronous master reset input (active LOW)
10	GND	ground (0 V)
11	$D_{SR}$	serial data shift-right input
12	CP	clock input (LOW-to-HIGH, edge-triggered)
18	$D_{SL}$	serial data shift-left input
20	$V_{CC}$	positive supply voltage



8-bit universal shift register; 3-state

74HC/HCT299



MODE SELECT TABLE

INPUTS				RESPONSE
MR	S <sub>1</sub>	S <sub>0</sub>	CP	
L	X	X	X	asynchronous reset; Q <sub>0</sub> -Q <sub>7</sub> = LOW
H	H	H	↑	parallel load; I/O <sub>n</sub> → Q <sub>n</sub>
H	L	H	↑	shift right; D <sub>SR</sub> → Q <sub>0</sub> , Q <sub>0</sub> → Q <sub>1</sub> etc.
H	H	L	↑	shift left; D <sub>SL</sub> → Q <sub>7</sub> , Q <sub>7</sub> → Q <sub>6</sub> etc.
H	L	L	X	hold

Notes

- H = HIGH voltage level  
 L = LOW voltage level  
 X = don't care  
 ↑ = LOW-to-HIGH CP transition

8-bit universal shift register; 3-state

74HC/HCT299

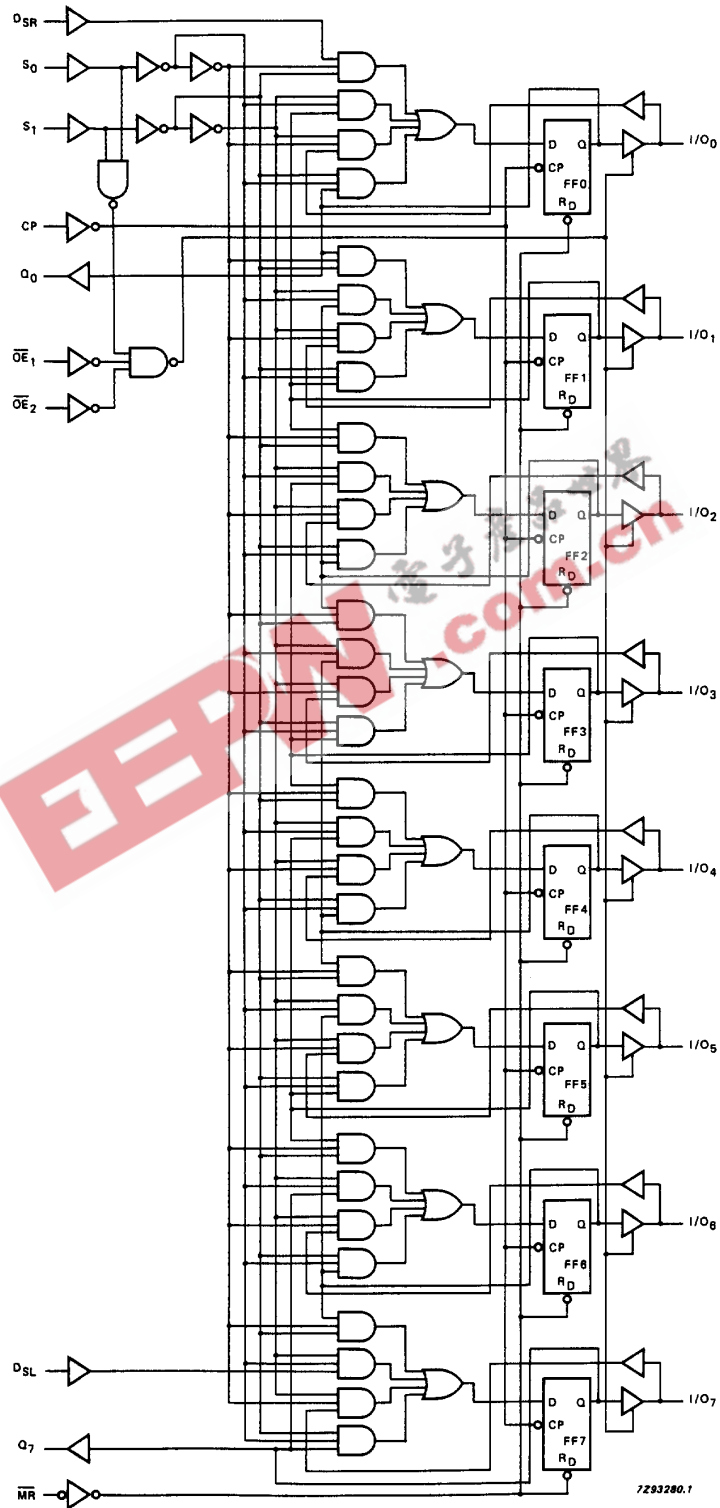


Fig.5 Logic diagram.

## 8-bit universal shift register; 3-state

## 74HC/HCT299

**DC CHARACTERISTICS FOR 74HC**

For the DC characteristics see *"74HC/HCT/HCU/HCMOS Logic Family Specifications"*.

Output capability: bus driver (parallel I/Os)  
standard (serial outputs)

I<sub>CC</sub> category: MSI

**AC CHARACTERISTICS FOR 74HC**

GND = 0 V; t<sub>r</sub> = t<sub>f</sub> = 6 ns; C<sub>L</sub> = 50 pF

SYMBOL	PARAMETER	T <sub>amb</sub> (°C)						UNIT	TEST CONDITIONS		
		74HC							V <sub>CC</sub> (V)	WAVEFORMS	
		+25			-40 to +85		-40 to +125				
		min.	typ.	max.	min.	max.	min.				max.
t <sub>PHL</sub> / t <sub>PLH</sub>	propagation delay CP to Q <sub>0</sub> , Q <sub>7</sub>		66 24 19	200 40 34		250 50 43	300 60 51	ns	2.0 4.5 6.0	Fig.6	
t <sub>PHL</sub> / t <sub>PLH</sub>	propagation delay CP to I/O <sub>n</sub>		66 24 19	200 40 34		250 50 43	300 60 51	ns	2.0 4.5 6.0	Fig.6	
t <sub>PHL</sub> /	propagation delay MR to Q <sub>0</sub> , Q <sub>7</sub> or I/O <sub>n</sub>		66 24 19	200 40 34		250 50 43	300 60 51	ns	2.0 4.5 6.0	Fig.7	
t <sub>PZH</sub>	3-state output enable time OE <sub>n</sub> to I/O <sub>n</sub>		50 18 14	155 31 26		195 39 33	235 47 40	ns	2.0 4.5 6.0	Fig.9	
t <sub>PZL</sub>	3-state output enable time OE <sub>n</sub> to I/O <sub>n</sub>		41 15 12	130 26 22		165 33 28	195 39 33	ns	2.0 4.5 6.0	Fig.9	
t <sub>PHZ</sub>	3-state output disable time OE <sub>n</sub> to I/O <sub>n</sub>		66 24 19	185 37 31		230 46 39	280 56 48	ns	2.0 4.5 6.0	Fig.9	
t <sub>PLZ</sub>	3-state output disable time OE <sub>n</sub> to I/O <sub>n</sub>		55 20 16	155 31 26		195 39 33	235 47 40	ns	2.0 4.5 6.0	Fig.9	
t <sub>THL</sub> / t <sub>TLH</sub>	output transition time bus driver (I/O <sub>n</sub> )		14 5 4	60 12 10		75 15 13	90 18 15	ns	2.0 4.5 6.0	Fig.6	
t <sub>THL</sub> / t <sub>TLH</sub>	output transition time standard (Q <sub>0</sub> , Q <sub>7</sub> )		19 7 6	75 15 13		95 19 16	110 22 19	ns	2.0 4.5 6.0	Fig.6	
t <sub>W</sub>	clock pulse width HIGH or LOW	80 16 14	17 6 5		100 20 17		120 24 20	ns	2.0 4.5 6.0	Fig.6	
t <sub>W</sub>	master reset pulse width LOW	80 16 14	19 7 6		100 20 17		120 24 20	ns	2.0 4.5 6.0	Fig.7	

## 8-bit universal shift register; 3-state

## 74HC/HCT299

SYMBOL	PARAMETER	T <sub>amb</sub> (°C)						UNIT	TEST CONDITIONS		
		74HC							V <sub>CC</sub> (V)	WAVEFORMS	
		+25			-40 to +85		-40 to +125				
		min.	typ.	max.	min.	max.	min.				max.
t <sub>rem</sub>	removal time MR to CP	5 5 5	-14 -5 -4		5 5 5		5 5 5	ns	2.0 4.5 6.0	Fig.7	
t <sub>su</sub>	set-up time D <sub>SR</sub> , D <sub>SL</sub> to CP	100 20 17	33 12 10		125 25 21		150 30 26	ns	2.0 4.5 6.0	Fig.6	
t <sub>su</sub>	set-up time S <sub>0</sub> , S <sub>1</sub> to CP	100 20 17	33 12 10		125 25 21		150 30 26	ns	2.0 4.5 6.0	Fig.8	
t <sub>su</sub>	set-up time I/O <sub>n</sub> to CP	125 25 21	39 14 11		155 31 26		190 38 32	ns	2.0 4.5 6.0	Fig.6	
t <sub>h</sub>	hold time I/O <sub>n</sub> , D <sub>SR</sub> , D <sub>SL</sub> to CP	0 0 0	-14 -5 -4		0 0 0		0 0 0	ns	2.0 4.5 6.0	Fig.6	
t <sub>h</sub>	hold time S <sub>0</sub> , S <sub>1</sub> to CP	0 0 0	-28 -10 -8		0 0 0		0 0 0	ns	2.0 4.5 6.0	Fig.8	
f <sub>max</sub>	maximum clock pulse frequency	5.0 25 29	15 45 54		4.0 20 24		3.4 17 20	MHz	2.0 4.5 6.0	Fig.6	

## 8-bit universal shift register; 3-state

## 74HC/HCT299

**DC CHARACTERISTICS FOR 74HCT**

For the DC characteristics see *"74HC/HCT/HCU/HCMOS Logic Family Specifications"*.

Output capability: bus driver (parallel I/Os)  
standard (serial outputs)

I<sub>CC</sub> category: MSI

**Note to HCT types**

The value of additional quiescent supply current ( $\Delta I_{CC}$ ) for unit load of 1 is given in the family specifications. To determine  $\Delta I_{CC}$  per input, multiply this value by the unit load coefficient shown in the table below.

INPUT	UNIT LOAD COEFFICIENT
I/O <sub>n</sub>	0.25
D <sub>SR</sub> , D <sub>SL</sub>	0.25
CP, S <sub>0</sub>	0.60
$\overline{MR}$ , S <sub>1</sub>	0.25
$\overline{OE}_n$	0.30

EEPW.com.cn 电子产品世界



## 8-bit universal shift register; 3-state

## 74HC/HCT299

## AC CHARACTERISTICS FOR 74HCT

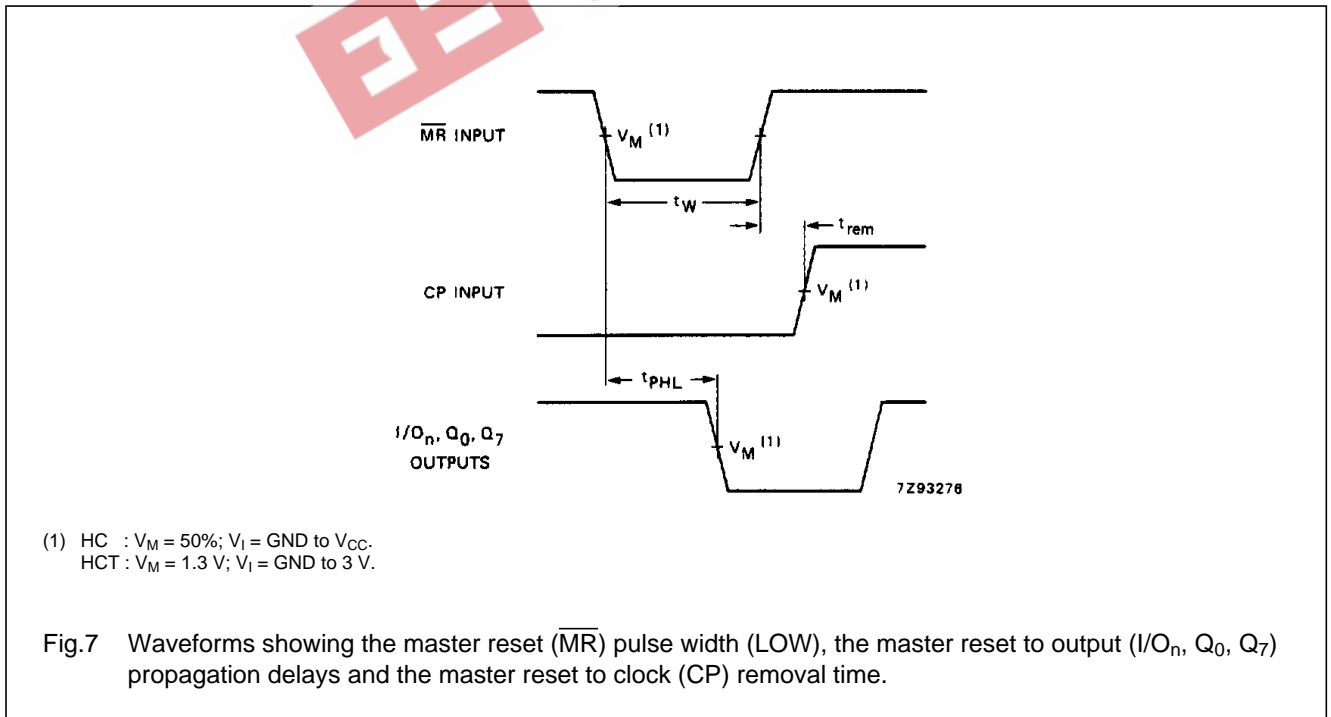
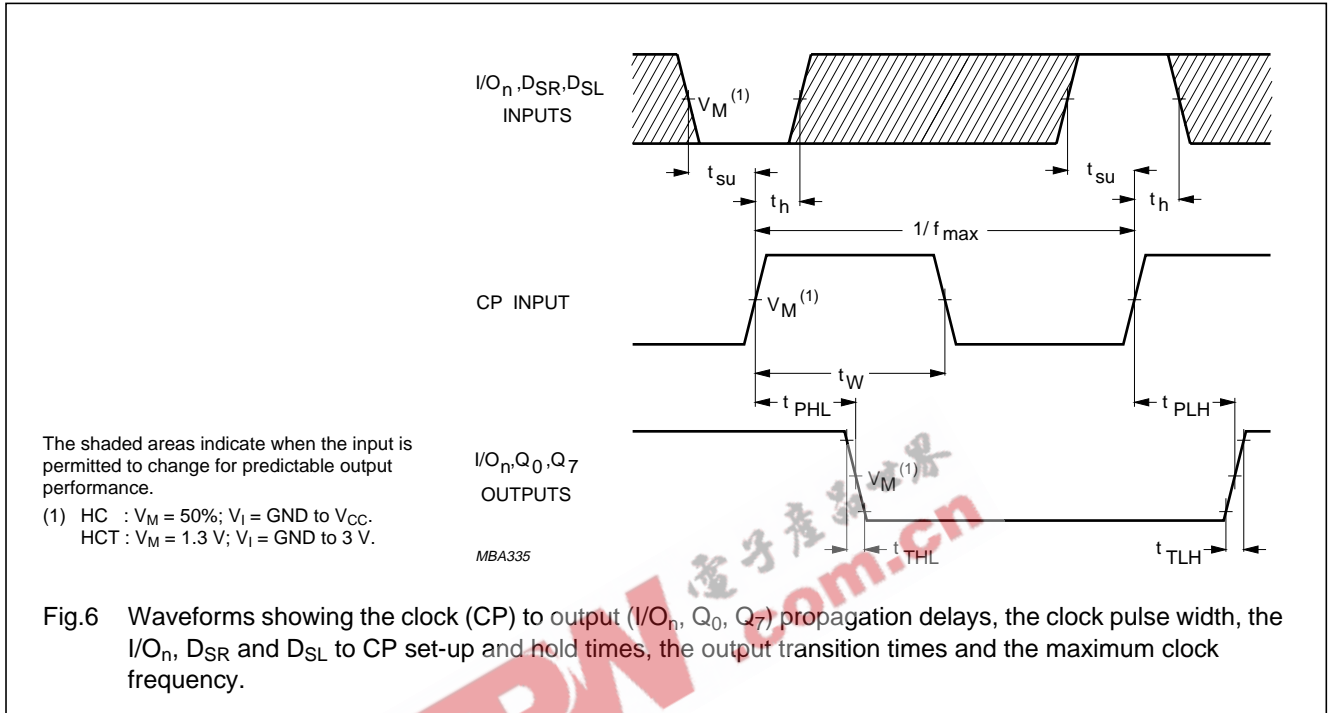
GND = 0 V;  $t_r = t_f = 6$  ns;  $C_L = 50$  pF

SYMBOL	PARAMETER	$T_{amb}$ (°C)						UNIT	TEST CONDITIONS		
		74HCT							$V_{CC}$ (V)	WAVEFORMS	
		+25			-40 to +85		-40 to +125				
		min.	typ.	max.	min.	max.	min.				max.
$t_{PHL}/t_{PLH}$	propagation delay CP to $Q_0, Q_7$		22	37		46		56	ns	4.5	Fig.6
$t_{PHL}/t_{PLH}$	propagation delay CP to $I/O_n$		22	37		46		56	ns	4.5	Fig.6
$t_{PHL}$	propagation delay $\overline{MR}$ to $Q_0, Q_7$ or $I/O_n$		27	46		58		69	ns	4.5	Fig.7
$t_{PZH}/t_{PZL}$	3-state output enable time $\overline{OE}_n$ to $I/O_n$		19	30		38		45	ns	4.5	Fig.9
$t_{PHZ}$	3-state output disable time $\overline{OE}_n$ to $I/O_n$		24	37		46		56	ns	4.5	Fig.9
$t_{PLZ}$	3-state output disable time $\overline{OE}_n$ to $I/O_n$		20	32		40		48	ns	4.5	Fig.9
$t_{THL}/t_{TLH}$	output transition time bus driver ( $I/O_n$ )		5	12		15		18	ns	4.5	Fig.6
$t_{THL}/t_{TLH}$	output transition time standard ( $Q_0, Q_7$ )		7	15		19		22	ns	4.5	Fig.6
$t_W$	clock pulse width HIGH or LOW	20	10		25		30		ns	4.5	Fig.6
$t_W$	master reset pulse width LOW	20	11		25		30		ns	4.5	Fig.7
$t_{rem}$	removal time $\overline{MR}$ to CP	10	2		9		11		ns	4.5	Fig.7
$t_{su}$	set-up time $I/O_n, D_{SR}, D_{SL}$ to CP	25	14		31		38		ns	4.5	Fig.6
$t_{su}$	set-up time $S_0, S_1$ to CP	32	18		40		48		ns	4.5	Fig.8
$t_h$	hold time $I/O_n, D_{SR}, D_{SL}$ to CP	0	-11		0		0		ns	4.5	Fig.6
$t_h$	hold time $S_0, S_1$ to CP	0	-17		0		0		ns	4.5	Fig.8
$f_{max}$	maximum clock pulse frequency	25	42		20		17		MHz	4.5	Fig.6

8-bit universal shift register; 3-state

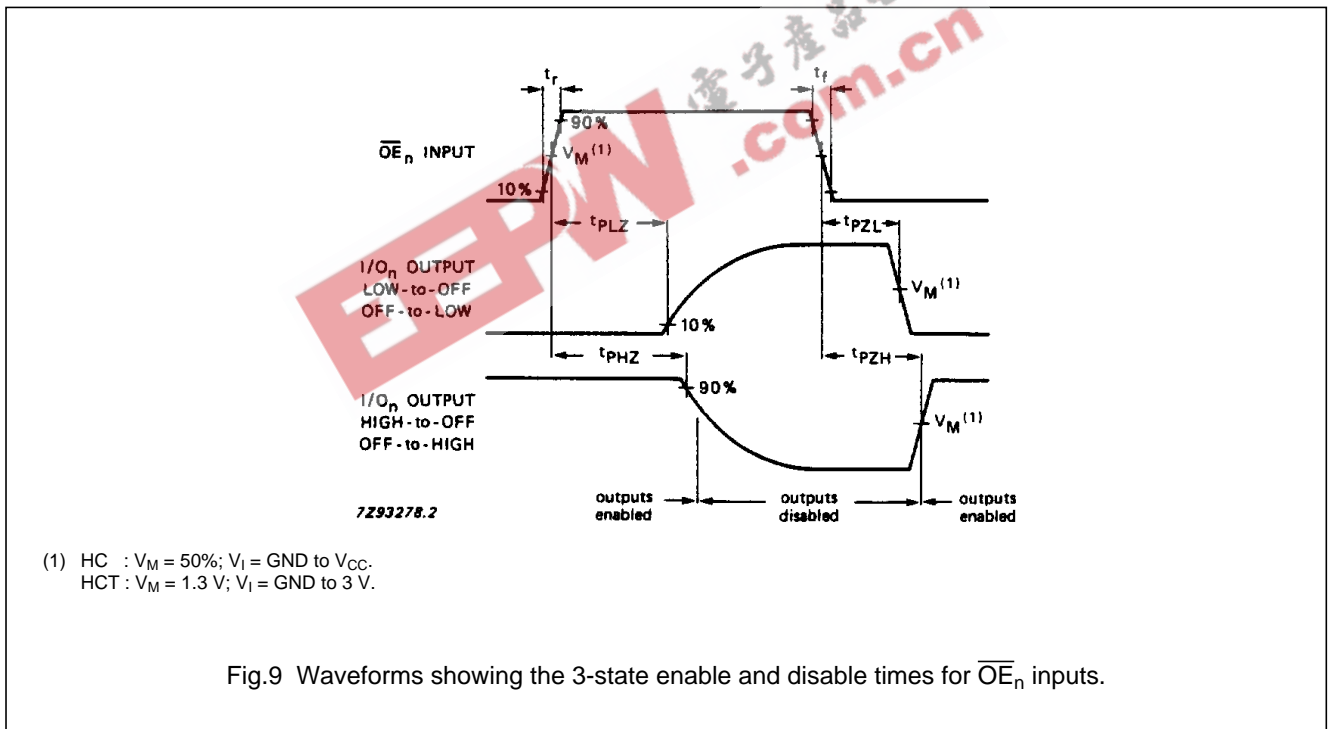
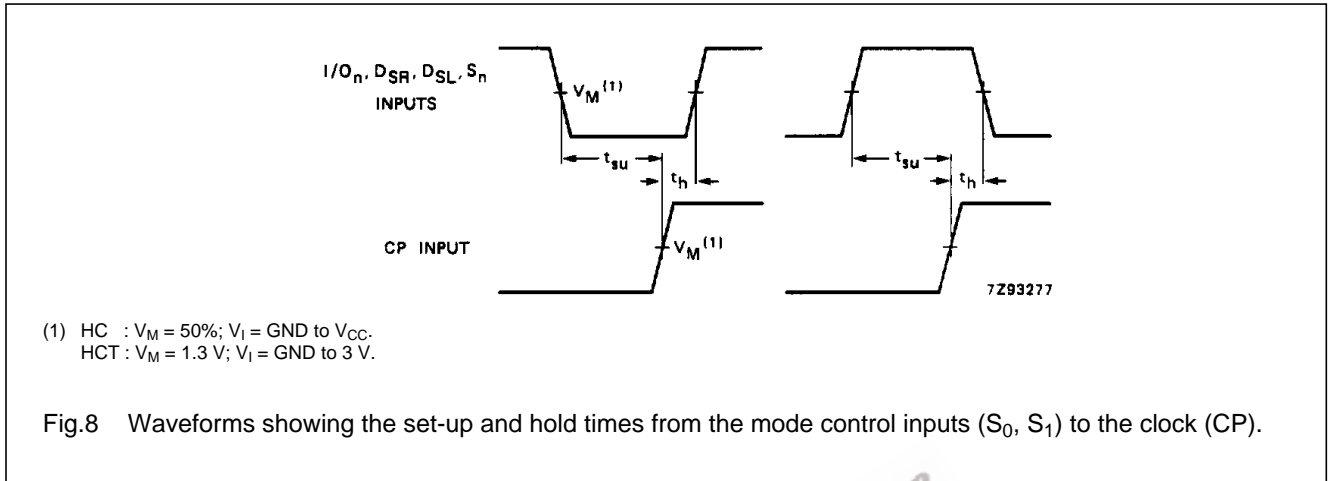
74HC/HCT299

AC WAVEFORMS



8-bit universal shift register; 3-state

74HC/HCT299



PACKAGE OUTLINES

See "74HC/HCT/HCU/HCMOS Logic Package Outlines".